



Area Light High Power



*Not all product variations listed on this page are DLC qualified. Visit www.designlights.org/ search to confirm qualification



*With TLPC and MS20

Description

The LITELUME™ Area Light High Power Series (LL-ALHP) combines style and performance. Featuring a diecast aluminum housing with outstanding corrosion protection, and secondary UV resistant polycarbonate optics. Compact in design low profile 3G vibration rated. The ALHP provides an aesthetically pleasing addition to any roadway or parking lot with its steady well defined construction. The highly functioning optics provide maximum lumen output and light distribution to make the ALHP the premier outdoor area light.

Fixture Information

Size:	150W/200W/300W/350W
Housing:	Die-cast Aluminum Housing
Finish:	Protective powdercoat
Color:	Standard: Bronze Custom Options: Black (BK) White (WH) Gray (GY)
Mounting:	Pole Mount Slip Fitter Wall Mount
Lens:	Polycarbonate
Power Factor:	.90 or greater
CRI:	80
Operating Temperature:	-40°F to 113°F
Surge Protector:	Optional: 10 kVA, 20kVA
Voltage:	Standard: 120-277V Optional: 347-480V
Sensor:	Standard: No sensor Custom: Bi-level motion sensor w/ Remote control Twist Lock Photocell and Receptacle (120-277V) and Photocell (120-277V)
Warranty:	10-Year Limited Warranty

Performance Data

Lumen Output:

21,200 - 51,100 lm

Lumens Per Watt (typical):

146 lm/W

CCT:

4000K
5000K

Distribution

Type III
Type IV
Type V

Lifespan:

Features Inventronics Driver & OSRAM 5050 LED's with up to 100,000 running hours

Ratings & Certificates

UL Listed For Wet Location
IP66 rated
DLC Premium Listed*
Dark Sky Conformance**
TAA Compliant/BAA Optional



**Litelume Area Lights perform to IDA's fully shielding requirement, emitting no light above 90 degrees when using pole mount accessory. Fixture must be ordered in 3000k to qualify for IDA Dark Sky Compliance

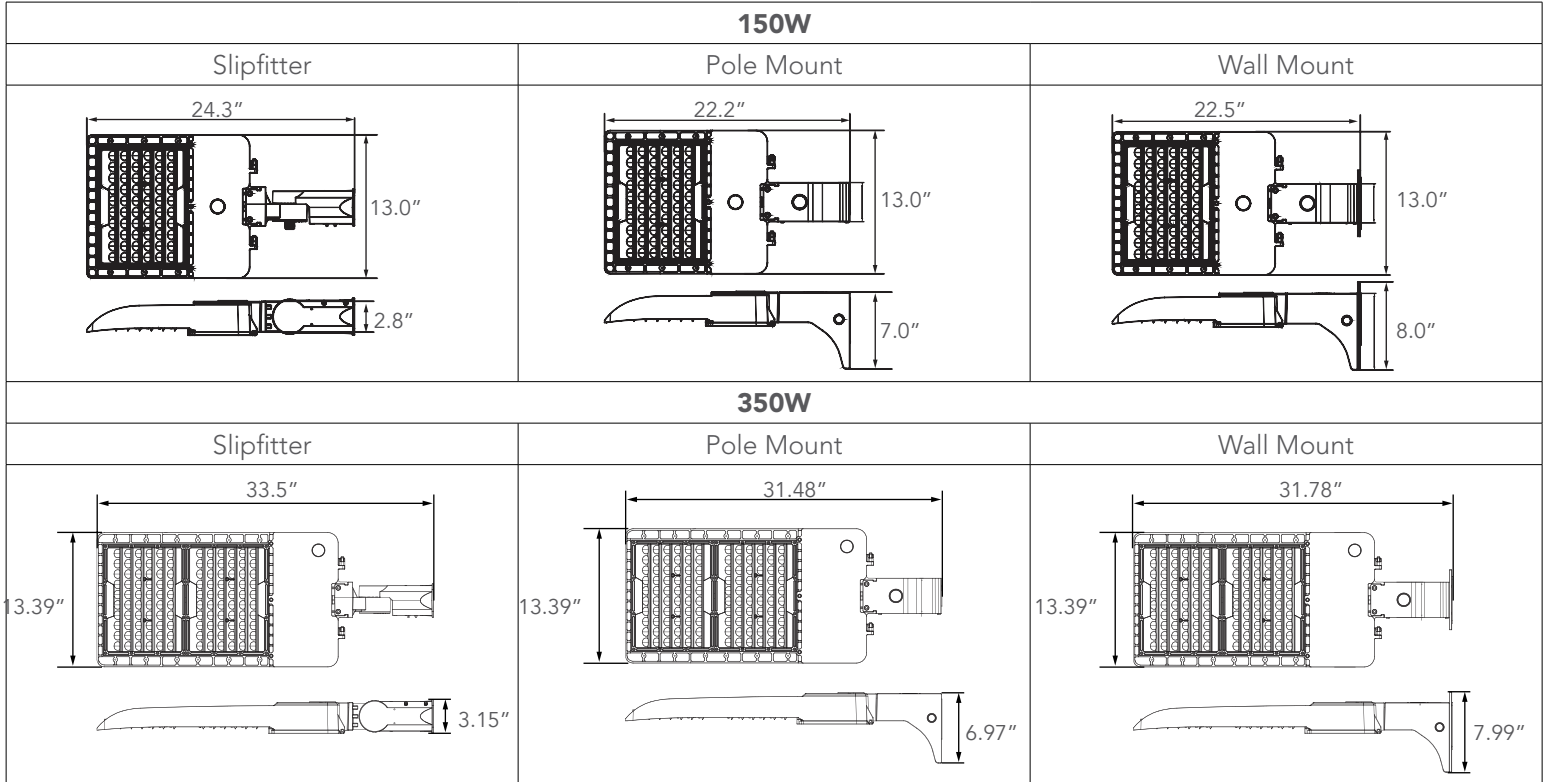
QuickShip Ordering Information

Part #	
LL-ALHP-150-50-UNV-T3-BZ	LL-ALHP-300-50-UNV-T3-BZ
LL-ALHP-150-40-UNV-T3-BZ	LL-ALHP-300-40-UNV-T3-BZ
LL-ALHP-200-50-UNV-T3-BZ	LL-ALHP-350-50-UNV-T3-BZ
LL-ALHP-200-40-UNV-T3-BZ	LL-ALHP-350-40-UNV-T3-BZ



Dimension

Item	Width	Length	Height	Weight
150W Slipfitter	13.0"	24.25"	2.8"	16.30 lb
150W Pole Mount	13.0"	22.23"	6.97"	15.78 lb
150W Wall Mount	13.0"	22.46"	7.99"	18.34 lb
350W Slipfitter	13.39"	33.5"	3.15"	24.51 lb
350W Pole Mount	13.39"	31.48"	6.97"	24.09 lb
350W Wall Mount	13.39"	31.78"	7.99"	26.96 lb

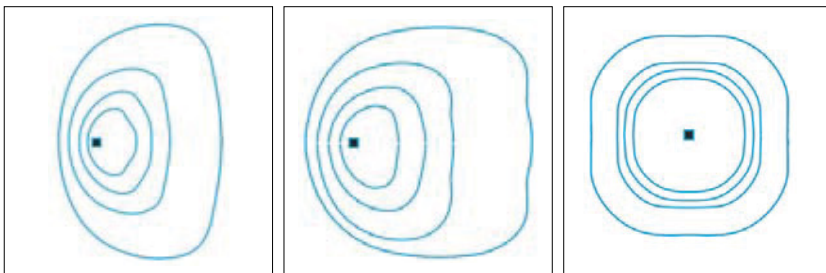


Photometrics

Type 3

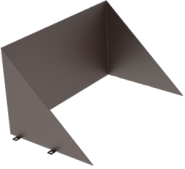


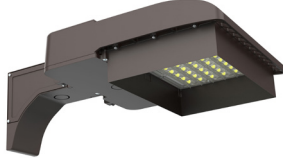
Type 4

Type 5





External Shields

External Glare Shield		External Glare Full Visor	
			



Project Name	
Catalog #	
Job Type	
Prepared By	
Notes	

Fixture Ordering Information

Part #	Wattage	Lumens	Kelvin	Voltage	Distribution
LL-ALHP-150-50-UNV-T3-BZ	150	21200	5000	120-277	T3
LL-ALHP-150-40-UNV-T3-BZ	150	21200	4000	120-277	T3
LL-ALHP-150-50-UNV-T4-BZ	150	21200	5000	120-277	T4
LL-ALHP-150-40-UNV-T4-BZ	150	21200	4000	120-277	T4
LL-ALHP-150-50-UNV-T5-BZ	150	22200	5000	120-277	T5
LL-ALHP-150-40-UNV-T5-BZ	150	22200	4000	120-277	T5
LL-ALHP-200-50-UNV-T3-BZ	200	28000	5000	120-277	T3
LL-ALHP-200-40-UNV-T3-BZ	200	28000	4000	120-277	T3
LL-ALHP-200-50-UNV-T4-BZ	200	28000	5000	120-277	T4
LL-ALHP-200-40-UNV-T4-BZ	200	28000	4000	120-277	T4
LL-ALHP-200-50-UNV-T5-BZ	200	28800	5000	120-277	T5
LL-ALHP-200-40-UNV-T5-BZ	200	28800	4000	120-277	T5
LL-ALHP-300-50-UNV-T3-BZ	300	42500	5000	120-277	T3
LL-ALHP-300-40-UNV-T3-BZ	300	42500	4000	120-277	T3
LL-ALHP-300-50-UNV-T4-BZ	300	42500	5000	120-277	T4
LL-ALHP-300-40-UNV-T4-BZ	300	42500	4000	120-277	T4
LL-ALHP-300-50-UNV-T5-BZ	300	43700	5000	120-277	T5
LL-ALHP-300-40-UNV-T5-BZ	300	43700	4000	120-277	T5
LL-ALHP-350-50-UNV-T3-BZ	350	50000	5000	120-277	T3
LL-ALHP-350-40-UNV-T3-BZ	350	50000	4000	120-277	T3
LL-ALHP-350-50-UNV-T4-BZ	350	50000	5000	120-277	T4
LL-ALHP-350-40-UNV-T4-BZ	350	50000	4000	120-277	T4
LL-ALHP-350-50-UNV-T5-BZ	350	51100	5000	120-277	T5
LL-ALHP-350-40-UNV-T5-BZ	350	51000	4000	120-277	T5

*Not all product variations listed on this page are DLC qualified. Visit www.designlights.org/search to confirm qualification

QuickShip Ordering Information

Part #
LL-ALHP-150-50-UNV-T3-BZ
LL-ALHP-150-40-UNV-T3-BZ
LL-ALHP-200-50-UNV-T3-BZ
LL-ALHP-200-40-UNV-T3-BZ
LL-ALHP-300-50-UNV-T3-BZ
LL-ALHP-300-40-UNV-T3-BZ
LL-ALHP-350-50-UNV-T3-BZ
LL-ALHP-350-40-UNV-T3-BZ



Accessories Ordering Information

Part #	Wattage
ALPM	Pole Mount Kit Including Round Adapter
ALSF	Slipfitter
ALLYK	Large Yoke Mount
ALWM	Wall Mount Kit
BRI823-B-D	Sharkward 120-277V 0-10V PIR Sensor
RC-100	Remote Control 100
L3	L3 Low Bay Coverage Lens
L4	L4 High Bay Coverage Lens
R3	Twist Lock Receptacle 3 Pin
R7	Twist Lock Receptacle 7 Pin
TLPC	Twist Lock Photocell & Receptacle 120-277v
TLPC480	Twist Lock Photocell & Receptacle 480v
SP10277	Surge Protector 10kva 277v
SP20480	Surge Protector 20kva 480v
EGSALHP	External Glare Shield Alhp
EGFVALHP	External Glare Full Visor Alhp
4SQPTA	4" Square Pole Top Adapter To 2 3/8" Tenon
5SQPTA	5" Square Pole Top Adapter To 2 3/8" Tenon
WMB90	Wall Mount Bracket 90° Arm To 2 3/8" Tenon
4RPTA	4" Round Pole Top Adapter To 2 3/8" Tenon
5RPTA	5" Round Pole Top Adapter To 2 3/8" Tenon
290HTA	2 @ 90° Horizontal Tenon Adapter
2180HTA	2 @ 180° Horizontal Tenon Adapter
390HTA	3 @ 90° Horizontal Tenon Adapter
3120HTA	3 @ 120° Horizontal Tenon Adapter
490HTA	4 @ 90° Horizontal Tenon Adapter
MPHTA	Mid Pole Horizontal Tenon Adapter
SUB "UNV" WITH "480"	480 Volt For Area Light High Power

* Please contact LITELUME for all Custom Option Requests

Buy American Act Compliant Ordering Information

Part #	Description
BAA-ALHP	Buy American Act Compliant For Area Light High Power

* Please contact LITELUME for all Custom Option Requests