



Description

New York City Compliant Edgelit Aluminum Exit Sign

Illumination:

- Ultra bright, energy efficient, long life Red LEDs.
- UV-stabilized ultra-clear acrylic edgelit panel provides consistent, uniform illumination.
- Double face utilizes factory installed silver or white mylar background panel.
- New York City compliant 8" EXIT letters.

Electrical:

- Dual 120/277 voltage.
- Charge rate/power "ON" LED indicator light and push-to-test switch for mandated code compliance testing.
- 4.8V long life, maintenance-free, rechargeable NiCd battery (EM models only).
- Internal solid-state transfer switch automatically connects the internal battery to LED board for minimum 90-minute emergency illumination.
- Fully automatic solid-state, two rate charger initiates battery charging to recharge a discharged battery in 24 hours.

Mounting:

- Aluminum mounting canopy included for top, end or back mount. Available in optional black or white powder-coated finishes.

Housing:

- Premium-grade, die-cast aluminum housing (also available in optional black or white powder-coated finishes).
- Self-adhesive Chevron appliques and guide template provided for directional indication.

Options:

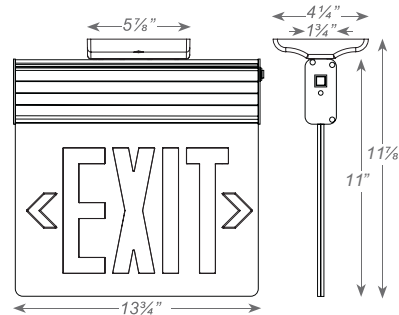
- SDT: Self-diagnostic feature performs monthly, biannual, and annual tests to ensure reliable operation and meets electrical and life safety codes.
- SPV: UL Listed for 208/220/240 Volt, 50/60Hz.

Warranty/Listing:

- Seven year warranty on all electronics and housing. Battery prorated for five years.
- Meets UL924, NFPA 101 Life Safety Code, NEC, OSHA, Local and State Codes.
- UL Listed for damp locations (0°C – 50°C).
- Certified to CEC under Title 20 Regulations.



Dimensions:





Project Name	
Catalog #	
Job Type	
Prepared By	
Notes	

Fixture Ordering Information

Model	No. of Faces		Letter Color		Panel		Housing Color		Battery		Options	
LL-NYELXTEU	1	Single Face	R	Red	C	Clear ¹	W	White	(blank)	AC-Only	SDT	Self-Diagnostics ² 208/220/240 Volt, 50/60Hz ³
	2	Double Face			M	Mirror	B	Black	EM	Battery Backup	SPV	
					W	White	A	Aluminum				

¹ With single face only.

² Available only with EM units .

³ Not available with SDT.