



Post Top Flat Round Luminaire



*Not all product variations listed on this page are DLC qualified. Visit www.designlights.org/search to confirm qualification



Description

The LITELUME™ Post Top Flat Round Luminaire (LL-PTFR) combines style, performance and adjustability, with all of the optional accessories needed for site lighting. Featuring a die-cast aluminum housing with outstanding corrosion protection, and secondary UV resistant polycarbonate optics. The PTFR provides an aesthetically pleasing addition to any walkway, park, downtown corridor or parking lot with its steady well-defined construction. The highly functioning optics and adjustability provide maximum distribution to make the PTFR a premier choice for outdoor area lighting.

Fixture Information

Size:	30W/50W/60W/ 80W/100W/120W/ 150W
Housing:	Die-cast aluminum housing
Finish:	Protective powdercoat
Color:	Standard: Bronze Optional: Custom Options Available
Mounting:	Standard: Tenon fits 3" standard OD Optional: Custom Options Available
Power Factor:	>.95
CRI:	80
Voltage:	Standard: 120-277V Optional: 208-480V
Sensor:	Standard: No sensor Optional: Plug and Play Bi-level PIR Motion sensor
Warranty:	10-Year Limited Warranty

Performance Data

Lumen Output:

4200 to 21000 lm

Lumens Per Watt (typical):

140 lm/W

CCT:

3000K
4000K
5000K

Distribution:

Type V

Lifespan:

Features 2835 SMD with up to 74,000 running hours.

Ratings & Certificates

UL Listed for wet locations
IP65

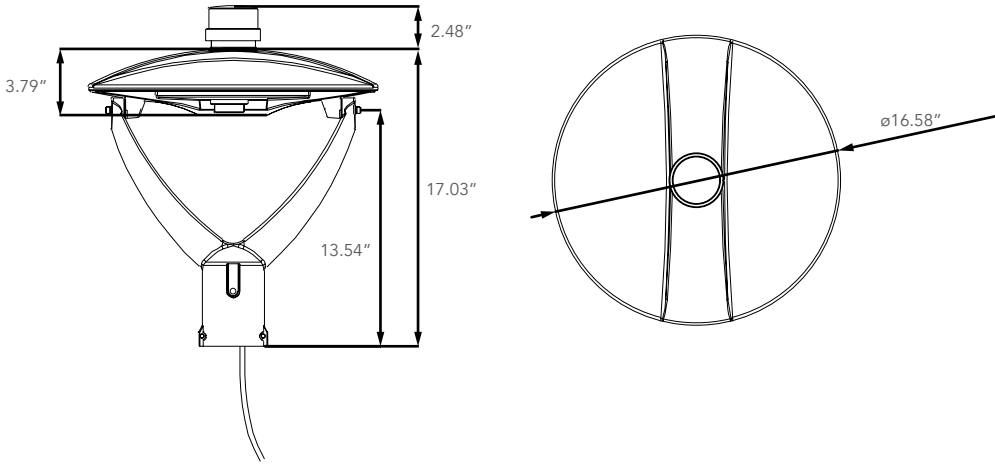
DLC Premium Listed
Title 24 Compliant





Dimensions

Item	Height	Diameter
Post Top Flat Round	17.03"	16.58"



Accessories

Standard Accessories Available

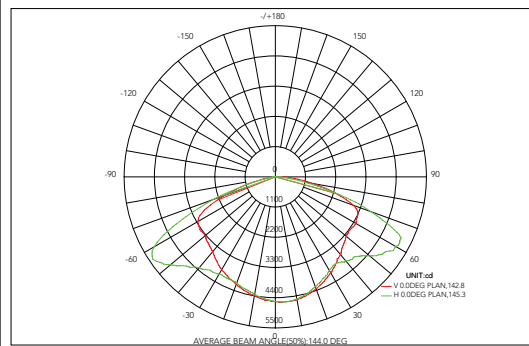
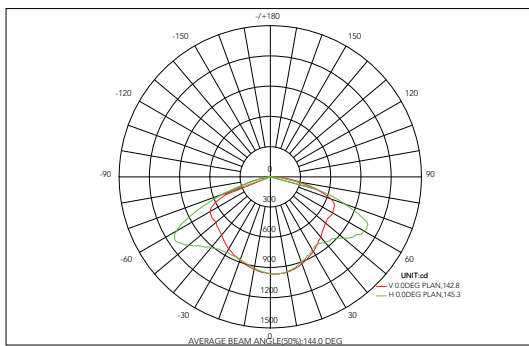
Custom Accessories Available



Photometric Data

60W

150W





Project Name	
Catalog #	
Job Type	
Prepared By	
Notes	

Fixture Ordering Information

Part #	Wattage	Lumens	Kelvin	Voltage	Type Distribution
LL-PTFR-[30][50][60]-3CCT-UNV-T5-BZ	30W / 50W / 60W	4200/7000/8400	3000K/4000K/5000K	120-277	Type 5
LL-PTFR-[60][80][100]-3CCT-UNV-T5-BZ	60W / 80W / 100W	8400/11200/14000	3000K/4000K/5000K	120-277	Type 5
LL-PTFR-[100][120][150]-3CCT-UNV-T5-BZ	100W / 120W / 150W	14000/16800/21000	3000K/4000K/5000K	120-277	Type 5

* Please contact LITELUME for all Custom Option Requests

Accessories Ordering Information

Part #	Description
ANT-5-4T	Sharkward 12-24V DC 0-10V Plug And Play Microwave Sensor
ANT-6-4T	Sharkward 12-24V DC 0-10V Plug And Play PIR Sensor
ANT-6-4T-BLE-SR	Sharkward Silvair 12-24V DC 0-10V Plug And Play Bluetooth PIR Sensor
ANT-6-4T-BLE-GE	Homewell Gebc 12-24V DC 0-10V Plug And Play Bluetooth PIR Sensor
RC-100	Remote Control 100
AC-EFS106-AUX-W.B1-WH-BL1-2-B	Autani Compatible - Keilton EFS106-AUX-W.B1 Plug And Play Bluetooth Daylight Harvesting And PIR Motion Sensor & WHBL1-2-B Lens LLLC
AC-WPPA102-AUX-W.B1	Autani Compatible - Keilton Plug And Play Bluetooth Long Range Controller Node LLLC
R3	Twist Lock Receptacle 3 Pin
R7	Twist Lock Receptacle 7 Pin
TLPC	Twist Lock Photocell & Receptacle 120-277V
CAM	WIFI CCT Camera

* Please contact LITELUME for all Custom Option Requests