



# Wall Pack Slim Series



## Description

The LITELUME™ Wall Pack Slim (LL-WPSL) is a full cutoff LED lighting fixture boasting excellent lumens per watt, uniformity and lumen maintenance. A stylish design, multiple power and CCT configurations make this the premier wall pack of the future.

Applications: Entryways, Pathway, Perimeter and Security lighting.

## Fixture Information

Size:	17W/23W/26W/31W/38W/65W/ 100W/135W
Housing:	Die-cast Aluminum
Finish:	Protective powder coat
Color:	Standard: Bronze Custom Options: Black (BK) White (WH) Grey (GY)
Mounting:	Standard: Wall Mount
Operating temperature	-40°C to 40°C (-40°F - + 104°F).
Power factor	.90
CRI:	80
THD:	<20%
Voltage:	Standard: 120-277V Optional: 480v
Sensor:	Standard: No sensor Optional: Button Photocell (120-277V)
Warranty:	10-Year Limited Warranty

## Performance Data

### Lumen Output:

2,800 to 20,000 lm

### Lumens Per Watt (typical):

148 to 154 lm/W

### CCT:

3000K  
4000K  
5000K

### Lifespan:

Up to 100,000 running hours

### Ratings & Certificates

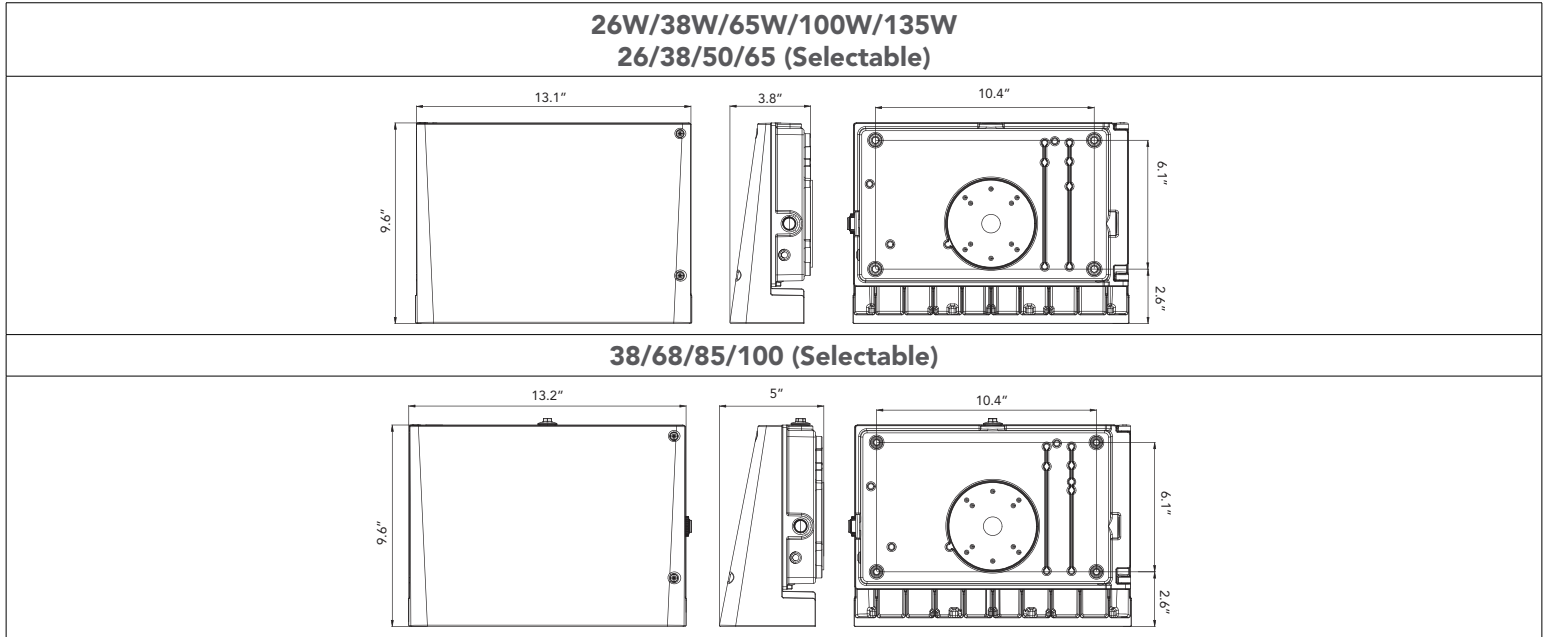
UL Listed For Wet Location  
TAA Compliant/BAA Optional



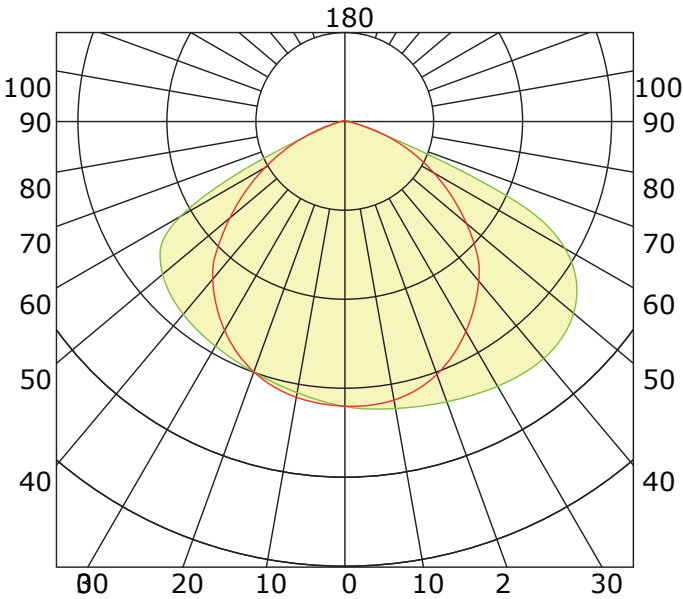


### Dimension

Item	Width	Length	Height
26W/38W/65W/100W/135W 26/38/50/65 (Selectable)	3.8"	13.1"	9.6"
38/68/85/100 (Selectable)	5"	13.2"	9.6"



### Photometrics





## Structural Design

**Photocell (Option)**  
Optional photocell allows for security and energy saving

**Housing**  
Two-piece die-cast aluminum housing with optimal thermal management both enhances LED efficacy and extends fixture's life.

**Optics**  
Zero uplight distributions. Independently designed optical lens, using anti-UV material to maximize the lighting effect while reducing glare.

**Mounting**  
LL-WPSL can be mounted directly over a standard 4" and 5" electrical junction box. Three 1/2 inch conduit holes on three sides allow for surface conduit wiring.

**Emergency (Option)**  
8W Emergency battery, 900lm, 90min.

**Power and CCT controller (Option)**  
The wattage and CCT can be changed by switch selection on the controller, it easy and very fast to meet the varied requirements.



<b>Project Name</b>	
<b>Catalog #</b>	
<b>Job Type</b>	
<b>Prepared By</b>	
<b>Notes</b>	

## Fixture Ordering Information

Part #	Wattage	Lumens	Kelvin	Voltage
LL-WPSL-26-50-UNV-BZ	26	4000	5000	120-277
LL-WPSL-26-40-UNV-BZ	26	4000	4000	120-277
LL-WPSL-38-50-UNV-BZ	38	6000	5000	120-277
LL-WPSL-38-40-UNV-BZ	38	6000	4000	120-277
LL-WPSL-65-50-UNV-BZ	65	10000	5000	120-277
LL-WPSL-65-40-UNV-BZ	65	10000	4000	120-277
LL-WPSL-100-50-UNV-BZ	100	15000	5000	120-277
LL-WPSL-100-40-UNV-BZ	100	15000	4000	120-277
LL-WPSL-135-50-UNV-BZ	135	20000	5000	120-277
LL-WPSL-135-40-UNV-BZ	135	20000	4000	120-277
LL-WPSL-[17][23][31][38]-3CCT-UNV-BZ-PC	17W/23W/31W/38W	2800/3700/4900/5700	3000K 4000K 5000K	120-277
LL-WPSL-[26][38][50][65]-3CCT-UNV-BZ-PC	26W/38W/50W/65W	4000/6000/7700/10000	3000K 4000K 5000K	120-277
LL-WPSL-[38][65][85][100]-3CCT-UNV-BZ-PC	38W/65W/85W/100W	6000/10000/12700/15000	3000K 4000K 5000K	120-277

\*Not all product variations listed on this page are DLC qualified. Visit [www.designlights.org/search](http://www.designlights.org/search) to confirm qualification

## Accessories Ordering Information

Part #	Wattage
PC	Button Photocell, 120-277V
EM8	Emergency Battery Back Up 8W *26W, 38W, 65W Only

\* Please contact LITELUME for all Custom Option Requests

## Buy American Act Compliant Ordering Information

Part #	Description
BAA-WPSL	Buy American Act Compliant For Wallpack Slim

\* Please contact LITELUME for all Custom Option Requests