



# Post Top Area Light Large



\*Not all product variations listed on this page are DLC qualified. Visit [www.designlights.org/search](http://www.designlights.org/search) to confirm qualification



## Description

The LITELUME™ Post Top Area Light large Luminaire (LL-PTALL) combines style with performance. Featuring a die-cast aluminum housing with outstanding corrosion protection, and secondary UV resistant polycarbonate optics. The PTALL provides an aesthetically pleasing addition to any walkway, park, downtown corridor or parking lot with its steady well-defined construction. The highly functioning optics provide maximum distribution to make the PTALL a premier choice for outdoor area lighting.

## Fixture Information

Size:	50W/100W/150W/200W/300W
Housing:	Die-cast aluminum housing
Finish:	Protective powdercoat
Color:	Standard: Bronze Custom Options: Black (BK), White (WH) and Gray (GY)
Mounting:	Tenon fits 2 3/8" standard OD
Power Factor:	>.95
CRI:	80
Driver:	Meanwell HLG
Lens:	Polycarbonate
Surge Protector:	Standard: 4kVA Optional: 10kVA, 20kVA
Voltage:	Standard: 120-277V Custom Option: 347-480V
Sensor:	Standard: No sensor
Warranty:	10-Year Limited Warranty

## Performance Data

### Lumen Output:

6500 to 39000 lm

### Lumens Per Watt (typical):

130 lm/W

### CCT:

3000K  
4000K  
5000K

### Distribution:

Type V

### Lifespan:

Up to 100,000 running hours.

### Ratings & Certificates

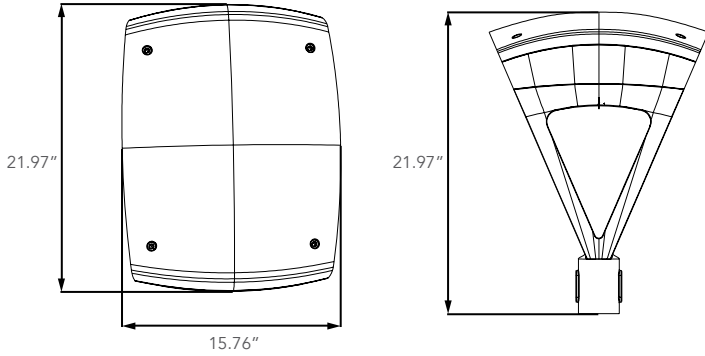
ETL Listed for Wet Location  
DLC Premium Listed





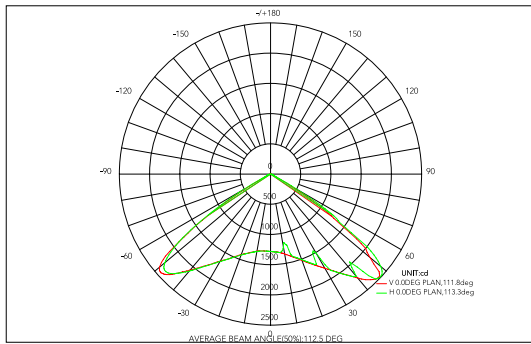
## Dimensions

Item	Width	Length	Height
Post Top Area Light Large	21.97"	15.76"	21.97"

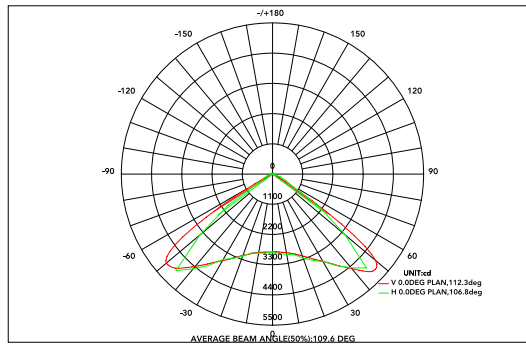


## Photometric Data

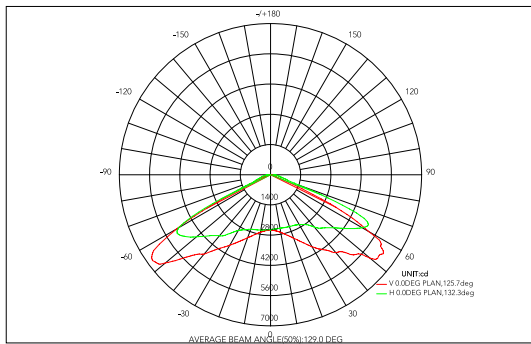
### 50W



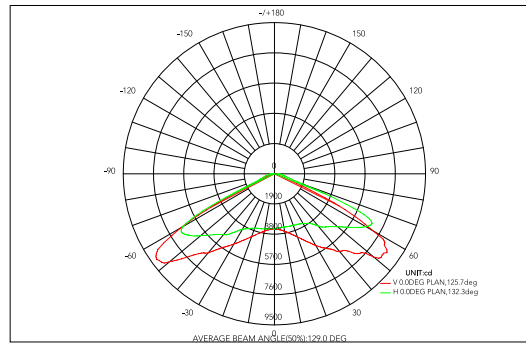
### 100W



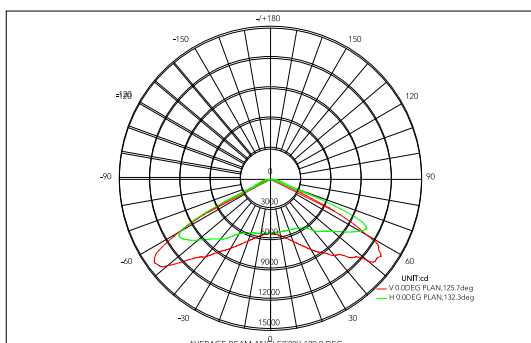
### 150W



### 200W



### 300W





<b>Project Name</b>	
<b>Catalog #</b>	
<b>Job Type</b>	
<b>Prepared By</b>	
<b>Notes</b>	

### Fixture Ordering Information

Part #	Wattage	Lumens	Kelvin	Voltage	Type Distribution
LL-PTALL-50-50-UNV-T5-BZ	50	6500	5000	120-277	T5
LL-PTALL-50-40-UNV-T5-BZ	50	6500	4000	120-277	T5
LL-PTALL-50-30-UNV-T5-BZ	50	6500	3000	120-277	T5
LL-PTALL-100-50-UNV-T5-BZ	100	13000	5000	120-277	T5
LL-PTALL-100-40-UNV-T5-BZ	100	13000	4000	120-277	T5
LL-PTALL-100-30-UNV-T5-BZ	100	13000	3000	120-277	T5
LL-PTALL-150-50-UNV-T5-BZ	150	19500	5000	120-277	T5
LL-PTALL-150-40-UNV-T5-BZ	150	19500	4000	120-277	T5
LL-PTALL-150-30-UNV-T5-BZ	150	19500	3000	120-277	T5
LL-PTALL-200-50-UNV-T5-BZ	200	26000	5000	120-277	T5
LL-PTALL-200-40-UNV-T5-BZ	200	26000	4000	120-277	T5
LL-PTALL-200-30-UNV-T5-BZ	200	26000	3000	120-277	T5
LL-PTALL-300-50-UNV-T5-BZ	300	39000	5000	120-277	T5
LL-PTALL-300-40-UNV-T5-BZ	300	39000	4000	120-277	T5
LL-PTALL-300-30-UNV-T5-BZ	300	39000	3000	120-277	T5

\* Please contact LITELUME for all Custom Option Requests

### Accessories Ordering Information

Part #	Wattage
SP10	10kVA Surge Protector
SP20	20kVA Surge Protector
PC	Button Photocell, 120-277V
SUB "UNV" WITH "480"	480 VOLT

\* Please contact LITELUME for all Custom Option Requests