



LL-MCF

Modern Classic Facade

The LITELUME™ Modern Classic Facade (LL-MCF) luminaire incorporates a traditional fresh design. Features a die-formed cold rolled steel housing with opal polycarbonate lens for a subtle approach. Offering light model in 3000k or Field Selectable CCT with high power factor and low THD.



PERFORMANCE DATA

| | |
|---------------------------|---|
| Lumen Output | 925 - 990 lm |
| Lumens Per Watt (typical) | 66 lm/W |
| CCT | 3000K 3500K 4000K (3000K and Field Selectable CCT Version) |
| Lifespan | 60,000 hrs |

RATINGS & CERTIFICATES

ETL Listed • Wet Location • JA8 • Title 24

APPLICATIONS

Commercial • Residential • Hospitality
Entertainment • Hallway Lighting

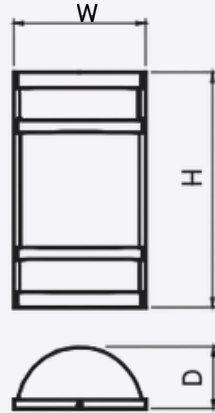
FIXTURE INFORMATION

| Size | Housing | Finish | Lens | | Mounting | Color | |
|------------|------------------------------|------------------------|--------------------|-----|----------------------|---|----------|
| 15W | Die-Formed Cold-Rolled Steel | Protective Powder Coat | Opal Polycarbonate | | Standard: Wall Mount | <ul style="list-style-type: none"> • Black • White • Gray • Custom • Oil Rubbed Bronze | |
| Voltage | | Controls | | PF | THD | CRI | Warranty |
| 120 - 277V | | Optional: Photocell | | .98 | <10% | 90 | 10 Year |



DIMENSIONS

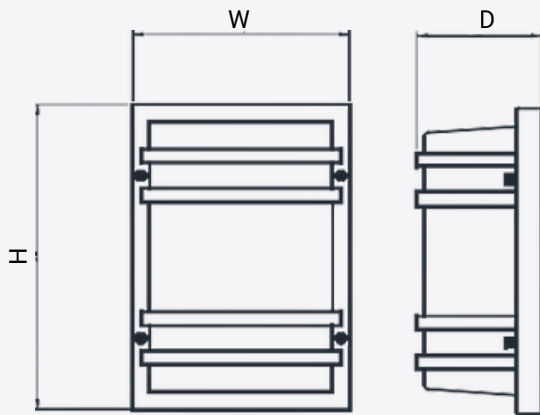
LL-MCF-15-3CCT-UNV



L x H x D
14.6" x 8.3" x 3.8"

DIMENSIONS

LL-MCF-15-30-UNV



L x H x D
14.1" x 10.0" x 5.7"



| | |
|--------------|--|
| PROJECT NAME | |
| CATALOG # | |
| JOB TYPE | |
| PREPARED BY | |
| NOTES | |

ORDERING GUIDE

| Brand | Fixture Type | Wattage | CCT |
|--------------|--|--|---|
| LL LITELUME | MCF Modern Classic Facade | 15 15W | 30 3000K 3CCT Selectable Color Temperature |
| Voltage | Finish | Accessories | |
| UNV 120-277V | BK Black ORB Oil Rubbed Bronze WH White GY Gray CUS Custom | PC Photocell EM Emergency Battery Back Up | |

FIXTURE ORDERING INFORMATION

| Part # | Watts | Lumens | Kelvin | Voltage |
|----------------------|-------|--------|--------|---------|
| LL-MCF-15-30-UNV-BK | 15 | 925 | 3000 | 120-277 |
| LL-MCF-15-30-UNV-ORB | 15 | 925 | 3000 | 120-277 |
| LL-MCF-15-30-UNV-WH | 15 | 925 | 3000 | 120-277 |
| LL-MCF-15-30-UNV-GY | 15 | 925 | 3000 | 120-277 |
| LL-MCF-15-30-UNV-CUS | 15 | 925 | 3000 | 120-277 |



FIXTURE ORDERING INFORMATION

| Part # | Watts | Lumens | Kelvin | Voltage |
|------------------------|-------|--------|-------------------|---------|
| LL-MCF-15-3CCT-UNV-BK | 15 | 990 | 3000K/3500K/4000K | 120-277 |
| LL-MCF-15-3CCT-UNV-ORB | 15 | 990 | 3000K/3500K/4000K | 120-277 |
| LL-MCF-15-3CCT-UNV-WH | 15 | 990 | 3000K/3500K/4000K | 120-277 |
| LL-MCF-15-3CCT-UNV-GY | 15 | 990 | 3000K/3500K/4000K | 120-277 |
| LL-MCF-15-3CCT-UNV-CUS | 15 | 990 | 3000K/3500K/4000K | 120-277 |

ACCESSORIES ORDERING INFORMATION

| Part # | Description |
|--------|---------------------------|
| PC | Photocell |
| EM | Emergency Battery Back Up |