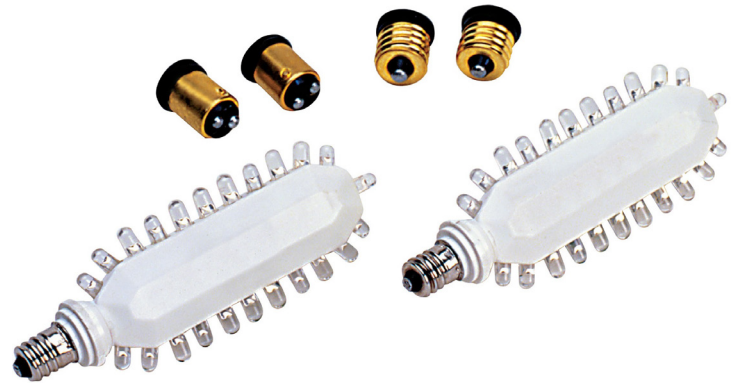




LL-RFXTE-3/GFXTE-3



Description

LED Retrofit Kits

Illumination:

- Kits easily convert incandescent exit signs into energy efficient LED EXIT signs.
- Ultra bright, long life Red or Green LED

Electrical:

- 120 voltage only.
- Energy usage of 2.2W per kit

Mounting:

- Kits are supplied with socket adapters for installation in signs with bayonet, intermediate or candelabra bases.

Housing:

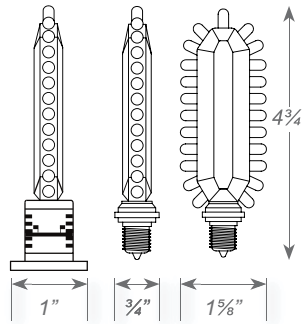
- Durable 20-gauge steel in white or black finish

Warranty/Listing:

- Seven year warranty.
- Meets UL924, NFPA 101 Life Safety Code, NEC, OSHA, Local and State Codes



Dimensions:



Savings

	Incandescent	Green LED Kit	Red LED Kit
EXIT Energy Use	LL-30W (15W lamp x 2)	1.4W (0.7W LED's x 2)	2.2W (1.1W LED's x 2)
"ON" Hours / Year	8760	8760	8760
Price / Kilowatt Hour	\$ 0.104	\$ 0.104	\$ 0.104
Energy Usage / Year	262,800 Watts	12,264 Watts	19,272 Watts
Annual Cost	\$27.33	\$1.28	\$2.00
Watt Savings / Year		250,536	243,528
Annual Savings		\$26.05	\$25.33

Example based on 9¢/KWhr



Project Name	
Catalog #	
Job Type	
Prepared By	
Notes	

Fixture Ordering Information

Model	Kit
RFXTE-3	Red Screw-in Kit
GFXTE-3	Green Screw-in Kit