



Description

LED Outdoor Polycarbonate / Die-Cast Remote Head

Illumination:

- Long lasting, efficient, ultra bright white LED lamp heads.
- 1.0 watt (8 LEDs x 0.125 watt) per head.
- High performance chrome-plated metalized reflector and plastic lens for optimal light distribution.
- Adjustable LED lamp heads provide optimal center-to-center spacing.
- Optional high lumen heads are 1.5 watts (12 LEDs x 0.125 watt per head) and provide increased center-to-center spacing

Electrical:

- Powered from low voltage power source with low voltage wiring (not provided).

Mounting:

- Universal mounting adapter plate included. Mounts to single-gang switch box.
- Distance of maximum run is determined by system voltage, wire gauge and total maximum wattage on the run.
- Suitable for wall or ceiling mount.

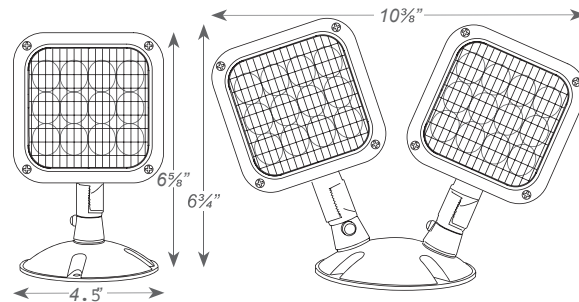
Housing:

- Available in both engineering grade, high-impact resistant polycarbonate or premium grade die-cast aluminum housing.
- Sealed and gasketed in standard gray or black finish.

Warranty/Listing:

- Seven year warranty.
- UL Listed for wet locations (-30°C – 50°C).
- Meets UL924, NFPA 101 Life Safety Code, NEC, OSHA, Local and State Codes

Dimensions:



Fixture Compatibility Chart:

Reference individual unit equipment specification sheets for remote load capacity availability.

LL-CADXR	LL-CALEDCXTE	LL-CAR
LL-CEM-RC	LL-CEU-RC	LL-CKXTEU-RC
LL-CLPU	LL-CWLEZXTE-RC	LL-DXR
LL-E-1-RC	LL-EM-RC	LL-LESDXR627
LL-LEDTFX-2	LL-NYDXR	LL-RMCLPU-RC
LL-RMLEDCXTE-RC	LL-RMR-16-65/125	





Project Name	
Catalog #	
Job Type	
Prepared By	
Notes	

Fixture Ordering Information

Model	No. of Heads		Option		Housing		Voltage		Color		Lamp Type ¹	
LL-RHLED	1	Single Head	(blank)	For Standard Non Self-Diagnostic Fixtures	PWP	Thermoplastic	MV	For Use With 3.6V, 6V, 9.6V & 12V DC Power Source	(blank)	Gray	(blank)	8 LEDs 1W
	2	Double Head	SDT	For Use with Fixtures with a Self-Diagnostic Option	WP	Die-Cast			B	Black	HL	12 LEDs 1.5W

¹Wattage rating stated per head.