



Area Light Premium High Lumen



*With TLPC

Description

The LITELUME™ Area Light Premium High Lumen Series (LL-ALPHL) brings the newest style and highest performance. Featuring up to 190 LPW with premium SMD 5050 LED's and a high Performance Driver. Diecast aluminum light housing with outstanding corrosion protection, and secondary UV resistant polycarbonate optics. Compact in design low profile 3G vibration rated. The ALPHL provides a unique new anti-bird design with pleasing aesthetics. The highly functioning optics provide maximum lumen output and light distribution to make the ALPHL the premier outdoor area light.

Fixture Information

Size:	75W/100W/150W/200W/240W/280W
Housing:	Die-cast Aluminum Housing
Finish:	Protective powdercoat
Color:	Standard: Bronze (BZ), Black (BK), White (WH), Gray (GY), Green (GR)
Mounting:	Pole Mount Slip Fitter U-Bracket Wall Mount
Lens:	Polycarbonate
Surge Protector:	Optional: 10 kVA, 20kVA
Power Factor:	.90 or greater
CRI:	80
Operating Temperature:	-40°F to 113°F
Surge Protector:	Optional: 10 kVA, 20kVA
Voltage:	Standard: 120-277V Optional: 347-480V
Sensor:	Standard: No sensor Custom Options: Microwave motion sensor Twist Lock Photocell and Receptacle (120-277V),(277-480V) NEMA R3, R5, R7 RECEPTACLES Accept ANSI standard dimmable photocells to provide a connection between the photocell and the luminaire. Available with two or four dimming contacts to support one or two channel dimming protocols.
Warranty:	10-Year Limited Warranty

Performance Data

Lumen Output:

c lm

Lumens Per Watt (typical):

175 to 190 lm/W

CCT:

4000K
5000K
5700K

Distribution

Type II
Type III
Type V

Lifespan:

Features Inventronics Driver & SMD 5050 LED's with up to 100,000 running hours

Ratings & Certificates

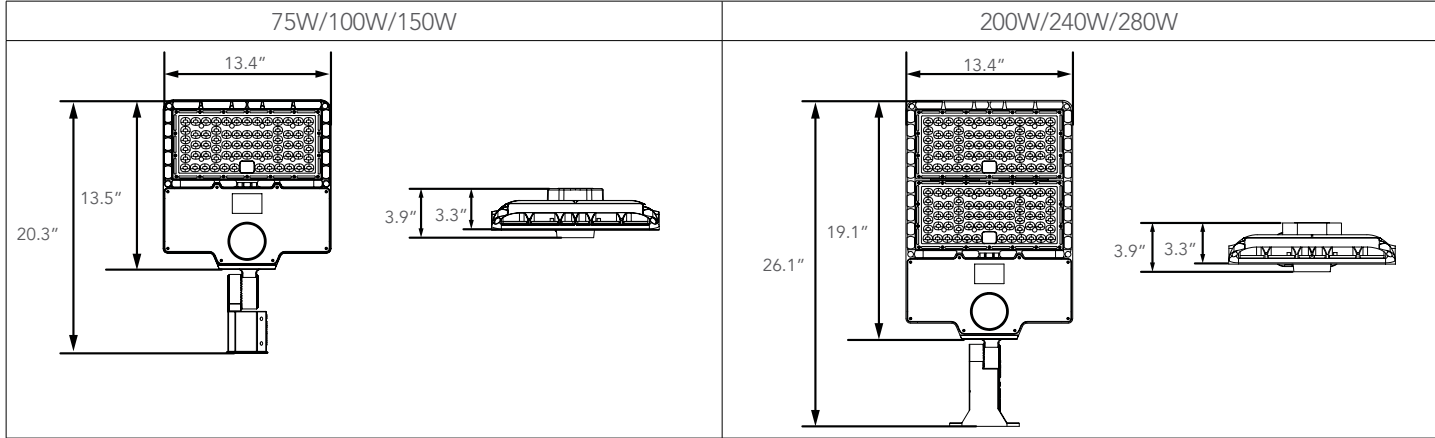
UL Listed For Wet Location
IP65 rated





Dimension

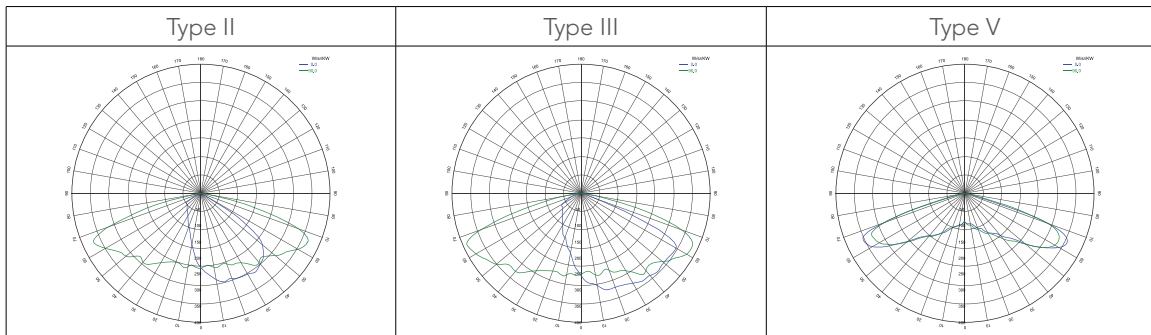
Item	Width	Length	Height	Weight
75W/100W/150W	13.4"	13.5"	3.9"	10.03 lbs
200W/240W/280W	13.4"	19.1"	3/9"	14.22 lbs



Mounting

Slipfitter		Pole Mount	
U-Bracket		Wall Mount	

Photometrics





Project Name	
Catalog #	
Job Type	
Prepared By	
Notes	

Fixture Ordering Information

Part #	Wattage	Lumens	Kelvin	Voltage	Distribution
LL-ALPHL-75-57-UNV-T(X)	75	14250	5700	120-277	T2, T3, T5
LL-ALPHL-75-50-UNV-T(X)	75	14250	5000	120-277	T2, T3, T5
LL-ALPHL-75-40-UNV-T(X)	75	14250	4000	120-277	T2, T3, T5
LL-ALPHL-100-57-UNV-T(X)	100	18500	5700	120-277	T2, T3, T5
LL-ALPHL-100-50-UNV-T(X)	100	18500	5000	120-277	T2, T3, T5
LL-ALPHL-100-40-UNV-T(X)	100	18500	4000	120-277	T2, T3, T5
LL-ALPHL-150-57-UNV-T(X)	150	26250	5700	120-277	T2, T3, T5
LL-ALPHL-150-50-UNV-T(X)	150	26250	5000	120-277	T2, T3, T5
LL-ALPHL-150-40-UNV-T(X)	150	26250	4000	120-277	T2, T3, T5
LL-ALPHL-200-57-UNV-T(X)	200	37000	5700	120-277	T2, T3, T5
LL-ALPHL-200-50-UNV-T(X)	200	37000	5000	120-277	T2, T3, T5
LL-ALPHL-200-40-UNV-T(X)	200	37000	4000	120-277	T2, T3, T5
LL-ALPHL-240-57-UNV-T(X)	240	44000	5700	120-277	T2, T3, T5
LL-ALPHL-240-50-UNV-T(X)	240	44000	5000	120-277	T2, T3, T5
LL-ALPHL-240-40-UNV-T(X)	240	44000	4000	120-277	T2, T3, T5
LL-ALPHL-280-57-UNV-T(X)	280	49000	5700	120-277	T2, T3, T5
LL-ALPHL-280-50-UNV-T(X)	280	49000	5000	120-277	T2, T3, T5
LL-ALPHL-280-40-UNV-T(X)	280	49000	4000	120-277	T2, T3, T5

* Please contact LITELUME for all Custom Option Requests

Color Ordering Information (*Paint Color Must be Selected)

Part #	Description
BZ	Bronze
WH	White
BK	Black
GR	Green
GY	Grey

Accessories Ordering Information

Part #	Description
BZ	Bronze
WH	White
BK	Black
GR	Green
GY	Grey
ALPHL-SPM	Square Pole Mount ALPHL
ALPHL-RPM	Round Pole Mount ALPHL
ALPHL-SF	Slipfitter ALPHL
ALPHL-UB	U Bracket ALPHL



ALPHL-WM	Wall Mount ALPHL
MMS	Microwave Motion Sensor
R3	Twist Lock Receptacle 3 Pin
R7	Twist Lock Receptacle 7 Pin
TLPC	Twist Lock Photocell & Receptacle 120-277V
TLPCHV	Twist Lock Photocell & Receptacle 277-480V
SP10277	Surge Protector 10kVA 277V
SP20480	Surge Protector 20kVA 480V
SUB "UNV" WITH "HV"	High Voltage 277-480V

* Please contact LITELUME for all Custom Option Requests