



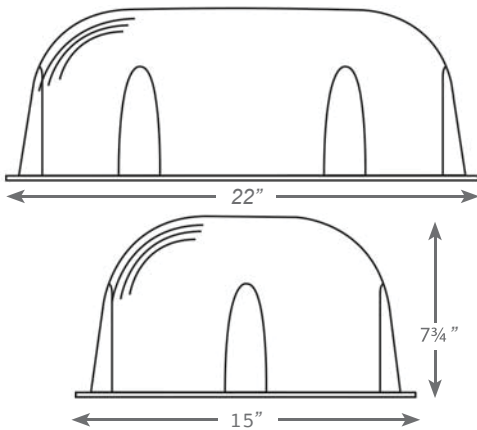
Description

Vandal Shield

Housing Mounting:

- High-impact resistant polycarbonate material.
- Mounting hardware provided for easy installation in the field.

Dimensions:



Fixture Compatibility Chart:

Reference individual unit equipment specification sheets for remote load capacity availability.

LL-CKXTE	LL-CLPU	LL-DBEL	LL-DXR
LL-ELXTE	LL-ETXTE	LL-EZRXTTE	LL-EZXTE
LL-KXTE	LL-KZXTE	LL-LEDTFX-2	LL-NYELXTE
LL-NYKXTE	LL-NYXTE	LL-PLRLRXTE	LL-SXTE
LL-WLEZXTE			



Project Name	
Catalog #	
Job Type	
Prepared By	
Notes	

Fixture Ordering Information

Model
LL-BG-1