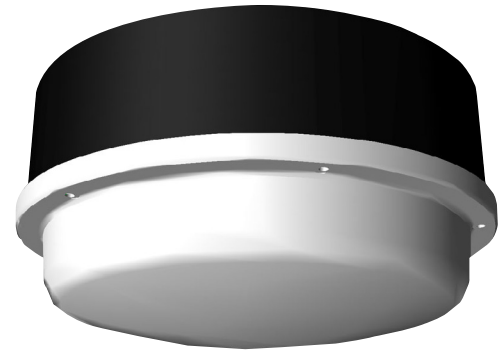




# Vandal Resistant Round Low Profile



## Description

The Litelume Vandal Resistant Round Low Profile (LL-VRRLP) Surface Mount luminaire is available for surface with an optical distribution designed specifically to replace HID lighting systems up to 100w MH or HPS. Typical lighting applications include retail centers, industrial parks, schools and universities, public transit and airports, office buildings and medical facilities. Mounting heights of 8 to 16 feet can be used based on light level and uniformity requirements.

## Fixture Information

Size:	34W
Housing:	Die-cast Aluminum Housing
Finish:	Textured Architectural Bronze Powdercoat Finish Over a Chromate Conversion Coating
Lens:	SoftLED Low Profile LumaLens Opal UV-Stabilized Polycarbonate Vandal-Resistant Lens
CRI:	80
Temperature:	-40°C to +40°C
Voltage:	Standard: 120-277V Optional: 347-480V
Power Factor:	>.90
Surge Protector:	4 kVA
Sensor:	Standard: No sensor Optional: Microwave sensor with dimming Microwave ON/OFF Motion Sensor
Dimming:	Standard: 0-10V
Warranty:	10-Year Limited Warranty

## Performance Data

### Lumen Output:

4,536 to 4,725 lm

### Lumens Per Watt (typical):

117 to 121 lm/W

### CCT:

4000K  
5000K

### Distribution

Type V

### Lifespan:

147,000 hrs @ 25°C

## Ratings & Certificates

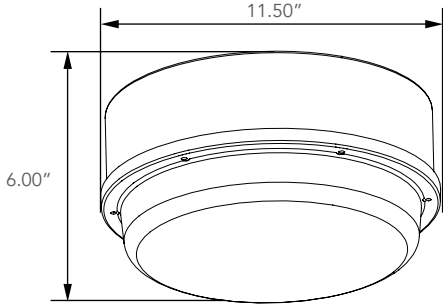
CSA: Listed for Wet Locations, ANSI/UL 1598, 8750;  
IP66 Sealed LED Compartment. ADA Compliant.  
10 year Warranty. BAA Compliant



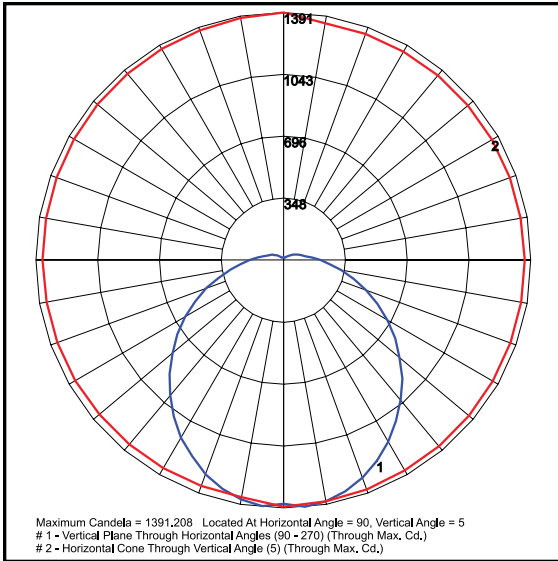


### Dimension

Item	Height	Diameter
34W	6"	11.50"



### Photometric



LL-VRRLP-34-50-UNV-BZ



<b>Project Name</b>	
<b>Catalog #</b>	
<b>Job Type</b>	
<b>Prepared By</b>	
<b>Notes</b>	

### Fixture Ordering Information

Part #	Wattage	Lumens	Kelvin	Voltage	Type Distribution
LL-VRRLP-34-40-UNV-BZ	34	4535	4000	120-277	Type V
LL-VRRLP-34-50-UNV-BZ	34	4725	5000	120-277	Type V

### Accessories Ordering Information

Part #	Description
SF	Single Fuse <b>*120-277V Only*</b>
DF	Double Fuse <b>*120-277V Only*</b>
SP	Surge Protection
BU	Battery Backup, 90 Minutes <b>*120-277V Only*</b>
S2	Microwave Sensor with Dimming for Mounting Heights of 8' to 40' <b>*120-277V Only*</b>
S4	Microwave On/Off Motion Sensor for Mounting Heights of 8' to 19' <b>*120-277V Only*</b>
SUB "UNV" WITH "480"	480 Volt

\* Please contact LITELUME for all Custom Option Requests