



# Architectural Open Square Post Top Large



## Description

The Architectural Open Square Large Post Top (LL-AOSLPT) is available in Type III or V distributions with two lens options designed to replace HID lighting systems up to 1000w MH or HPS. The fixture mounts to a pole top tenon. Typical area lighting applications include parking areas, walkways, and street lighting applications. Mounting heights of 12 to 30 feet can be used based on light level and uniformity requirements.

## Fixture Information

Size:	100W/176W/276W
Housing:	Die-cast Aluminum Housing
Finish:	Protective powdercoat
Color:	Standard: Black Custom Options Available
Mounting:	"P3" 2-7/8 O.D. x 3" Tenons
Lens:	<b>Standard:</b> Prismatic Clear UV-Stabilized Polycarbonate <b>Optional:</b> SoftLED LumaLens Opal UV-Stabilized Polycarbonate Vandal-Resistant Outer Conical Lens
CRI:	80
Temperature:	-40°C to +50°C
Voltage:	Standard: 120-277V Custom Option: 347-480V
Power Factor:	>.90
Surge Protector:	6 kVA
Sensor:	Standard: No Sensor Custom: Microwave Sensor Twist Lock Photocell and Receptacle (120-277V) and Photocell (120-277V)
Warranty:	10-Year Limited Warranty

## Performance Data

### Lumen Output:

7,363 to 32,892 lm

### Lumens Per Watt (typical):

73 to 119 lm/W

### CCT:

3000K  
4000K  
5000K

### Distribution

Type 3, Type V

### Lifespan:

362,000 hrs @25°C

### Ratings & Certificates

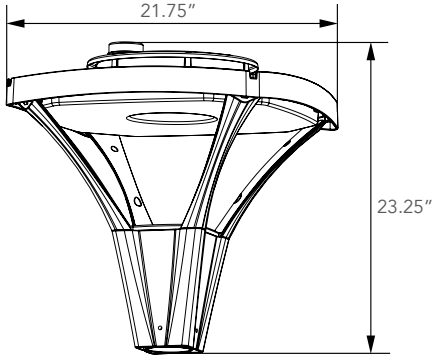
CSA: Listed for Wet Locations,  
ANSI/UL 1598, 8750;  
IP66 Sealed LED Compartment.



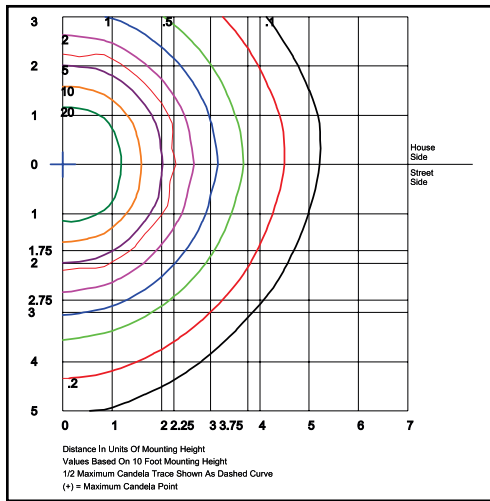


### Dimension

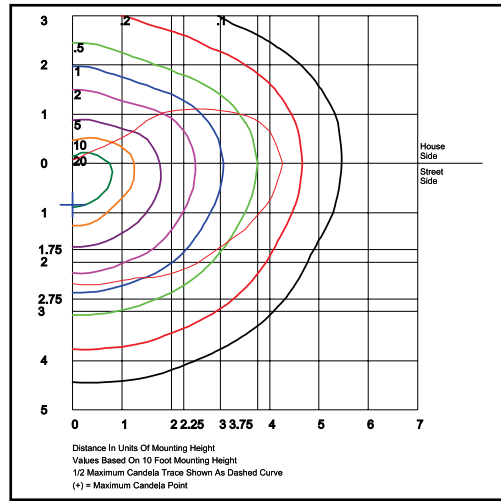
Item	Diameter	Height	Weight
100W/176W/276W	21.75"	23.75"	32 lb



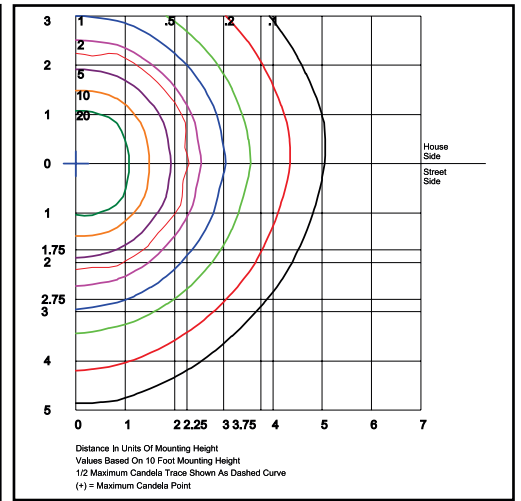
### Photometrics



LL-AOSPTL-276-50-UNV-T5-BZ  
Grid in MH  
MH=10 feet



LL-AOSPTL-176-50-UNV-T3-BZ  
Grid in MH  
MH=10 feet



LL-AOSPTL-100-50-UNV-T5-BZ  
Grid in MH  
MH=10 feet



<b>Project Name</b>	
<b>Catalog #</b>	
<b>Job Type</b>	
<b>Prepared By</b>	
<b>Notes</b>	

## Fixture Ordering Information

Part #	Wattage	Lumens	Kelvin	Voltage	Type Distribution
LL-AOSPTL-100-50-UNV-T3-BK	100	7959	5000	120-277	Type 3
LL-AOSPTL-100-50-UNV-T5-BK	100	11086	5000	120-277	Type V
LL-AOSPTL-100-40-UNV-T3-BK	100	7661	4000	120-277	Type 3
LL-AOSPTL-100-40-UNV-T5-BK	100	10810	4000	120-277	Type V
LL-AOSPTL-176-50-UNV-T3-BK	176	14008	5000	120-277	Type 3
LL-AOSPTL-176-50-UNV-T5-BK	176	19509	5000	120-277	Type V
LL-AOSPTL-176-40-UNV-T3-BK	176	13483	4000	120-277	Type 3
LL-AOSPTL-176-40-UNV-T5-BK	176	19022	4000	120-277	Type V
LL-AOSPTL-176-30-UNV-T5-BK	176	18192	3000	120-277	Type V
LL-AOSPTL-276-50-UNV-T5-BK	276	31658	5000	120-277	Type V
LL-AOSPTL-276-40-UNV-T5-BK	276	32892	4000	120-277	Type V

## Accessories Ordering Information

Part #	Description
L	SoftLED LumaLens Opal UV-Stabilized Polycarbonate Array Lens*
SF	Single Fuse <b>*120-277V Only*</b>
DF	Double Fuse <b>*120-277V Only*</b>
SP	Surge Protection
R3	3-Pin Twist Lock Photocell Receptacle
R5	5-Pin Twist Lock Photocell Receptacle
R7	7-Pin ANSI C136.41—2013 Twist Lock Photocell Receptacle
S2	Microwave Sensor with Dimming for Mounting Heights of 8' to 40'. <b>*120-277V Only*</b>
S4	Microwave On/Off Motion Sensor for Mounting Heights of 8' to 19'. <b>*120-277V Only*</b>
SUB "UNV" WITH "480"	480 Volt

\* Please contact LITELUME for all Custom Option Requests