



Round Straight Aluminum Tenon Arms Bullhorn

Made in USA - Virginia

LL-VA-RSATA-BH

Round Straight Aluminum Tenon Arms Bullhorn

Round Straight Aluminum Tenon Arm Bullhorn available in Double 180°, Triple 180°, Quad 180°, Triple 120°, and Quad 90° designs in 4-Bolt Base, slides over 2 3/8" OD tenon. Custom options available.

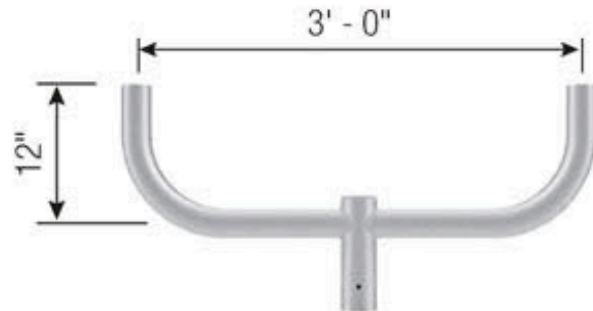


PRODUCT INFORMATION

Catalog Number	Description	Pipe Arm Diameter	Use with Tenon Size	Bracket EPA
LL-VA-RSATA-BH-2180	Double - 180°	2" NPS (2.375" O.D)	2" NPS (2.375" O.D)	0.90 ft ²
LL-VA-RSATA-BH-3120	Triple - 120°	2" NPS (2.375" O.D)	2" NPS (2.375" O.D)	1.60 ft ²
LL-VA-RSATA-BH-3180	Triple - 180°	2" NPS (2.375" O.D)	2.5" NPS (2.875" O.D)	2.14 ft ²
LL-VA-RSATA-BH-490	Quad - 90°	2" NPS (2.375" O.D)	2.5" NPS (2.875" O.D)	1.55 ft ² (Shielded)
LL-VA-RSATA-BH-4180	Quad - 180°	2" NPS (2.375" O.D)	2.5" NPS (2.875" O.D)	2.04 ft ² (Shielded)

Double - 180°

LL-VA-RSATA-BH-2180



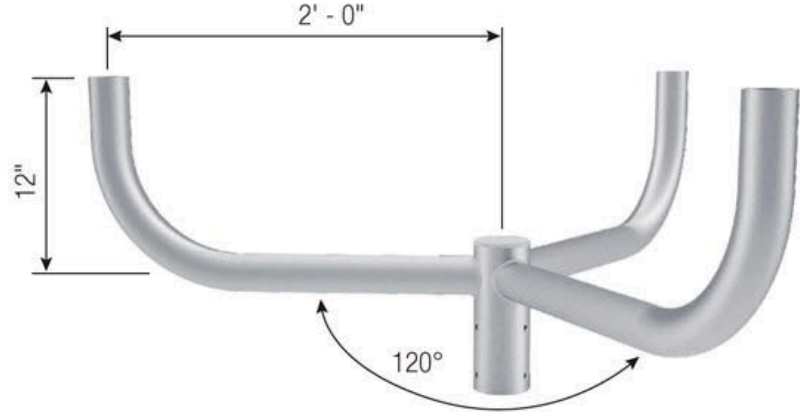


Round Straight Aluminum Tenon Arms Bullhorn

Made in USA - Virginia

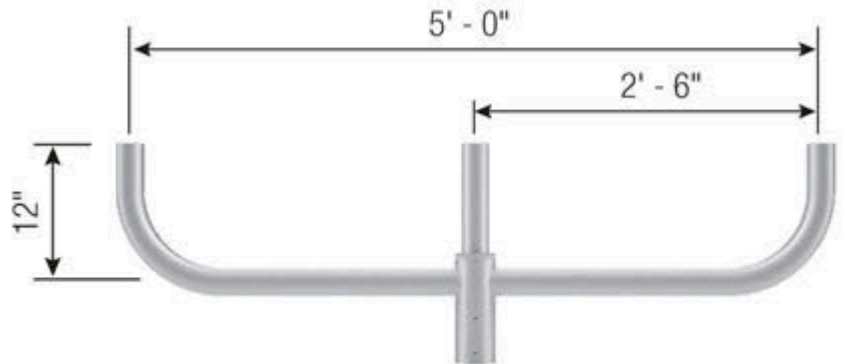
Triple - 120°

LL-VA-RSATA-BH-3120



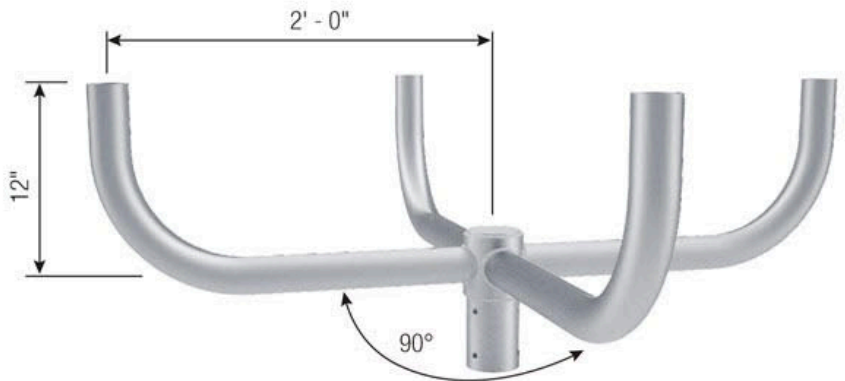
Triple - 180°

LL-VA-RSATA-BH-3180



Quad - 90°

LL-VA-RSATA-BH-490



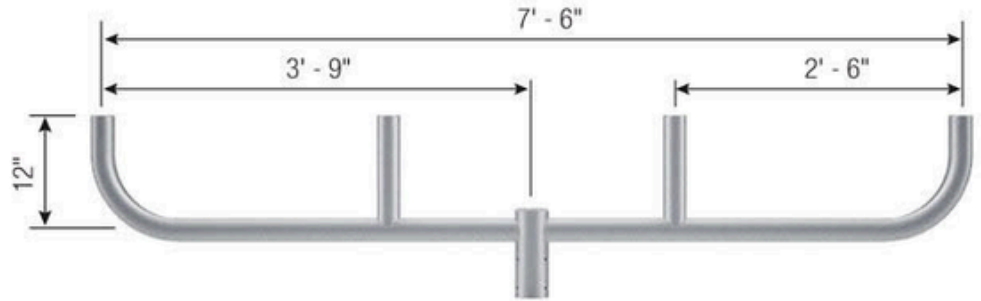


Round Straight Aluminum Tenon Arms Bullhorn

Made in USA - Virginia

Quad - 180°

LL-VA-RSATA-BH-4180



PROJECT NAME	
CATALOG #	
JOB TYPE	
PREPARED BY	
NOTES	

ORDERING GUIDE

Brand	Location	Type
LL LITELUME	VA Virginia	RSATA-BH Round Straight Aluminum Tenon Arms Bullhorn
Tenon Orientation		Finish
2180 2 @ 180 Degrees 3120 3 @ 120 Degrees 3180 3 @ 180 Degrees 490 4 @ 90 Degrees 4180 4 @ 180 Degrees		SA Satin Aluminum BK Black Powder Coat WH White Powder Coat DBZ Dark Bronze Powder Coat DGR Dark Green Powder Coat GY Gray Powder Coat CUS Custom Color*

NOTE: Provide RAL Paint Code