



Description

LED Recessed Steel Emergency Unit

Illumination:

- Two fully adjustable 1.0 watt white LED lamp heads.
- High performance chrome-plated metal reflector and plastic lens for optimal light distribution.

Electrical:

- Dual 120/277 voltage.
- Charge rate/power "ON" LED indicator light and push-to-test switch for mandated code compliance testing.
- LVD (low voltage disconnect) prevents battery from deep discharge.
- 6V maintenance-free, rechargeable sealed lead acid battery.
- Remote capacity of 10.0 watts standard.
- Internal solid-state transfer switch automatically connects the internal battery to lamp heads for minimum 90-minute emergency illumination
- Fully automatic solid-state, two rate charger initiates battery charging to recharge a discharged battery in 24 hours.

Mounting:

- Bar hangers on the back box for recessed mount.
- Compatible with drop ceiling mount installations.

Housing:

- Durable 20-gauge steel trim plate in white or black finish.
- Trim securely attached to housing with spring clips.

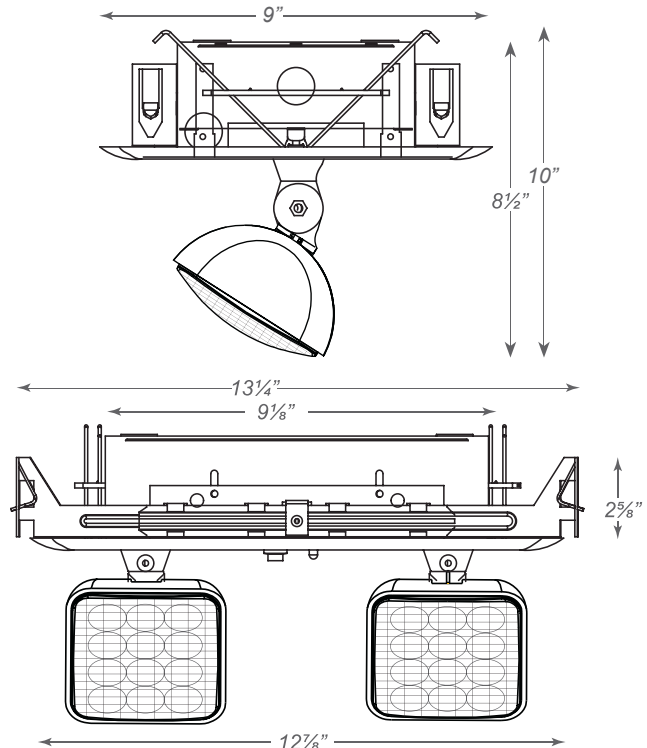
Warranty/Listing:

- Seven year warranty on all electronics and housing. Battery prorated for two years.
- Meets UL924, NFPA 101 Life Safety Code, NEC, OSHA, Local and State Codes.
- UL Listed for dry locations. (25°C)



LISTED

Dimensions:





Project Name	
Catalog #	
Job Type	
Prepared By	
Notes	

Fixture Ordering Information

Model	Housing Color	
LL-LEDR7	(blank) B	White Black