



Round Straight Aluminum Pole

Made in USA - Delaware

LL-DE-RSA

Round Straight Aluminum Pole

8' to 20' standard mounting heights. For single or multiple luminaire mounting. Luminaires may be mounted on tenons, brackets or shaft may be drilled to manufacturer's mounting specifications. 5 year limited warranty.



PRODUCT INFORMATION

Structural Base	Base Cover	Handholes	Anchor Bolts
A356 alloy sand cast aluminum, four bolt base. A large access base cover is also available as an option. A grounding lug is also provided.	Poles are provided with a two-piece cast aluminum base cover.	All standards in this model range include a peripherally reinforced handhole centered 18" above the bottom of the standard. The opening in the 4" and 5", diameter standard measures 2 ³ / ₈ " x 4 ¹ / ₂ ".	Standard with Each Pole: Includes four ¾-10x25" steel hot dip galvanized anchor bolts; each with two nuts, two flat washers and one lock washer.
Tenons	Accessories	Powder Coat Finish	
<p>T300 = Standard for Post Top (2⁷/₈" OD x 3" tall)</p> <p>T355 = Standard for Shepherd's Crook Arms (2⁷/₈" OD x 5.5" tall)</p> <p>CAP = Removable Cap, no tenon</p>	<p>GFIC = Weatherproof GFI In-Use Cover, Cast Aluminum *</p> <p>GFIP = Weatherproof GFI In-Use Cover, Plastic *</p> <p>USB = Dual USB Port *</p> <p>* Must Indicate Location (See Orientation Guide)</p>	<p>Standard: Black, High Gloss Black, Textured Black, White, High Gloss White, Bronze, Dark Bronze, Green, Dark Green, Gray, Silver Metallic</p> <p>Premium: Verde Patina, Pewter Patina, Silver Sparkle, Semi-Gloss or Matte Black</p> <p>Custom & Marine-Grade Finishes Available. All RAL Colors Available.</p>	

Lead Time Information: Built to order in Delaware (6 - 8 Weeks)

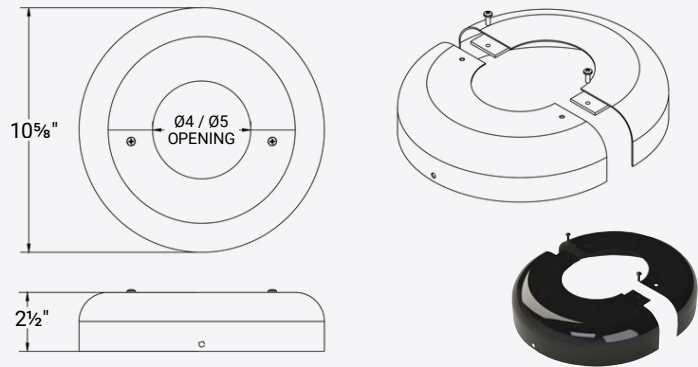


Round Straight Aluminum Pole

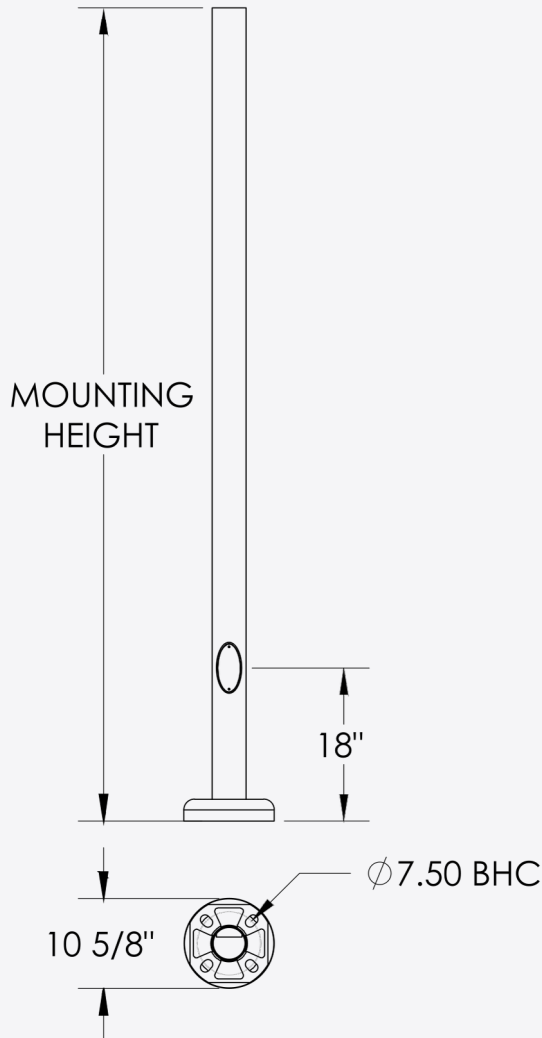
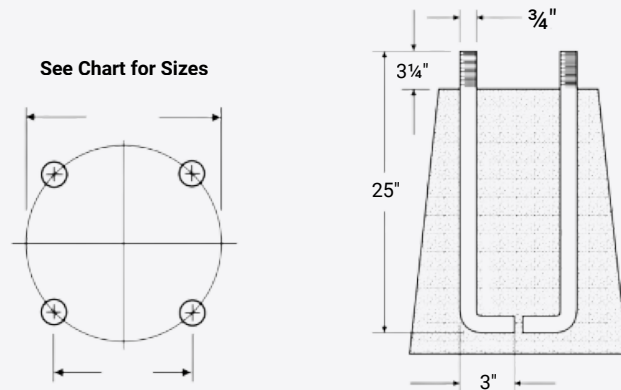
Made in USA - Delaware

DIMENSIONS

Split Spun Base Cover (SBC2)



Anchor Base and Bolt Details



Pole Diameter	Bolt Circle	Bolt Projection	Bolt Size	Conduit Opening	Base Size
4"	7 1/2"	3/4"	3/4" x 25"	3 3/4"	8 3/4"
5"	7 1/2"	3/4"	3/4" x 25"	4 1/2"	9 1/4"

Actual anchor bolt size may differ slightly.



Round Straight Aluminum Pole

Made in USA - Delaware

WIND LOADING AND DIMENSIONAL DATA

Poles	Typical Weight and Allowable Size of Luminaires							Dimensions of Standards		
Model #	Mount Height	Luminaire Weight (lbs)	Effective Projected Area-SQ FT-AT:					Standard Height	Outside Diameter	Wall
			70 MPH	80 MPH	90 MPH	100 MPH	110 MPH			
4-8-A-S-125	8'	75	15.1	11.2	8.6	6.8	5.5	8'	4"	.125
4-8-A-S-188	8'	75	28.9	21.8	17	14	11	8'	4"	.188
4-10-A-S-125	10'	75	11.2	8.2	6	5	4	10'	4"	.125
4-10-A-S-188	10'	150	21.8	16.3	13	10	8	10'	4"	.188
5-10-A-S-125	10'	150	18	14	11	9	7	10'	5"	.125
4-12-A-S-125	12'	75	8	6	4	3	3	12'	4"	.125
4-12-A-S-188	12'	75	17	13	10	8	6	12'	4"	.188
5-12-A-S-125	12'	150	14	10	8	6	5	12'	5"	.125
5-12-A-S-188	12'	150	22	16	13	10	8	12'	5"	.188
4-14-A-S-125	14'	150	6	4	3	2	2	14'	4"	.125
4-14-A-S-188	14'	150	13	10	7	6	5	14'	4"	.188
5-14-A-S-125	14'	150	11	8	6	5	4	14'	5"	.125
5-14-A-S-188	14'	150	17	13	10	8	6	14'	5"	.188
4-16-A-S-125	16'	150	4	3	2	1	1	16'	4"	.125
4-16-A-S-188	16'	150	11	8	6	4	3	16'	4"	.188
5-16-A-S-125	16'	150	9	6	4	3	3	16'	5"	.125
5-16-A-S-188	16'	150	14	10	8	6	5	16'	5"	.188
4-18-A-S-188	18'	150	9	6	4	3	2	18'	4"	.188
5-18-A-S-125	18'	150	4	4	3	2	2	18'	5"	.125
5-18-A-S-188	18'	150	11	8	7	5	4	18'	5"	.188
5-20-A-S-125	20'	150	4.9	3	2.1	1.5	1.1	20'	5"	.125
5-20-A-S-188	20'	150	9.4	6.4	4.8	3.6	2.8	20'	5"	.188

* EPA calculations allow for 1.3 Gust Factor. **Standard includes factory installed vibration dampener. Variations from standard sizes listed above, available upon inquiry at the factory. Satisfactory performance of lighting standards is dependent upon the standard being properly attached to a supporting foundation of adequate design. LITELUME does not design or offer recommendations for foundations.



Round Straight Aluminum Pole

Made in USA - Delaware

PROJECT NAME	
CATALOG #	
JOB TYPE	
PREPARED BY	
NOTES	

ORDERING GUIDE

Brand		Location			Type
LL LITELUME		DE Delaware			RSA Round Straight Aluminum
Diameter	Height	Model	Pole Type	Wall Size	Tenon
4 = 4" Straight 5 = 5" Straight	8 = 8' 10 = 10' 12 = 12' 14 = 14' 16 = 16' 18 = 18' 20 = 20'	A Anchor Base	S Smooth	Refer Chart on Page 3	N = None T300 = Standard for Post Top (2 7/8" OD x 3" tall) T355 = Standard for Shepherd's Crook Arms (2 7/8" OD x 5.5" tall) CAP = Removable Cap, no tenon
Accessories		Finish			Anchor Bolts
N = None GFIC = Weatherproof GFI In-Use Cover, Cast Aluminum * GFIP = Weatherproof GFI In-Use Cover, Plastic * USB = Dual USB Port * * Indicate Location		POWDER COAT COLORS BK - Black Powder Coat WH - White Powder Coat DBZ - Dark Bronze Powder Coat DGR - Dark Green Powder Coat GY - Gray Powder Coat CUS - Custom Color* * Provide RAL # or Sample Color Chip			Leave Blank If You Need Anchor Bolts LBC = Less Base Cover LAB = Less Anchor Bolts (Customer Supplies Own Anchor Bolts) * * Customer is responsible for specifications of their own anchor bolts. LITELUME does not assume any product warranty liability.