



Description

The LITELUME™ Bollard Esteem (LL-BOLE) features an anti-corrosion die-cast aluminum housing and state of the art new design. An attractive round sleek appearance with Sphere or Cylinder top. Featuring 3 level lumen output and 3 color adjustable CCT, allowing for customized energy savings and comfortability. Seamless installation for new construction and retrofit applications.

Applications: Security, Pathway, Perimeter, Pedestrian and Walkway lighting.

Fixture Information

Size:	20W/28W/37W
Housing:	Die-cast Aluminum Housing
Installation:	Anchor Bolts Included
Finish:	Protective powdercoat
Lens:	High- Impact Polycarbonate Lens
Color:	Standard: Bronze (BZ) Optional: Black (BK), White (WH)
Power Factor:	>.90
CRI:	>80
THD:	<20%
Operating Temperature:	-40°C to 55°C (-40°F to 131°F)
Voltage:	Standard: 120-277V
Surge Protection:	Standard: 4kV
Dimming:	Standard: 0-10V
Sensor:	Standard: No sensor
Warranty:	10-Year Limited Warranty

Performance Data

Lumen Output:

2,376 to 4,396 lm

Lumens Per Watt (typical):

118 lm/W

CCT:

3000K/4000K /5000K Selectable

Lifespan:

Up to 100,000 hours

Ratings & Certificates

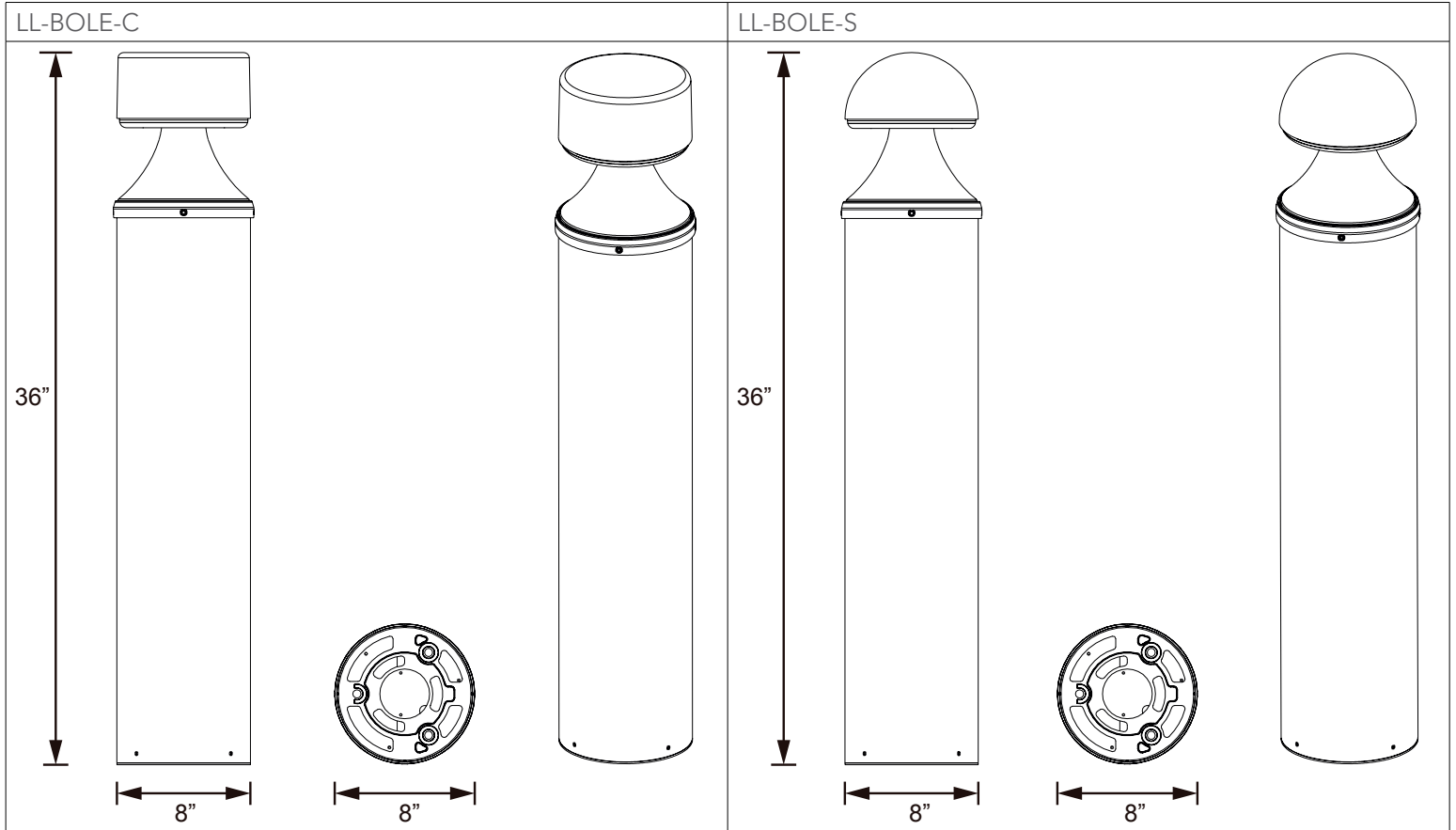
UL Listed for Wet Location
IP65



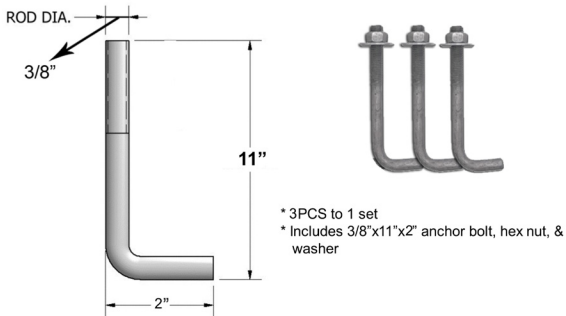


Dimensions

Item	Diameter	Height
LL-BOLE-C	8"	36"
LL-BOLE-S	8"	36"



Anchor bolts included





Features

Clear UV resistant polycarbonate lens allows for optimal light transmission and protects the light engine compartment from harsh environments.

LED compartment is airtight to prevent fogging and condensation build up and keep water out.

Driver is mounted under the LED compartment for easy replacement and to protect from water that may accumulate in the base of the bollard. Torx security screws secure the LED compartment to the base to deter vandalism.

Extruded aluminum tube provides strength and durability as well as protects and conceals the component wiring.

Terminal block provided on base bracket for easy installation of incoming supply wires.

Quick disconnect located near the terminal block for simple connection to the LED driver.

Versatile mounting plate allows for easy installation and replacement for any project Or development.

Easy access to the control.

Switch for a range of CCTS and wattages to choose from

Operating Instructions

Selectable wattages

37W/28W/20W

3CCT Selectable

3000K/4000K/5000K





Project Name	
Catalog #	
Job Type	
Prepared By	
Notes	

Fixture Ordering Information

Part #	Wattage	Lumens	CCT	Voltage	Distribution
LL-BOLE-C-[20][28][37]-3CCT-UNV-BZ	20W/28W/37W	2376/3326/4396	3 CCT	120-277	T5
LL-BOLE-C-[20][28][37]-3CCT-UNV-BK	20W/28W/37W	2376/3326/4396	3 CCT	120-277	T5
LL-BOLE-C-[20][28][37]-3CCT-UNV-WH	20W/28W/37W	2376/3326/4396	3 CCT	120-277	T5
LL-BOLE-S-[20][28][37]-3CCT-UNV-BZ	20W/28W/37W	2376/3326/4396	3 CCT	120-277	T5
LL-BOLE-S-[20][28][37]-3CCT-UNV-BK	20W/28W/37W	2376/3326/4396	3 CCT	120-277	T5
LL-BOLE-S-[20][28][37]-3CCT-UNV-WH	20W/28W/37W	2376/3326/4396	3 CCT	120-277	T5