



# Floodlight Landscape Bullet



## Description

The LITELUME™ Floodlight Landscape Bullet (LL-FLLB) is a high performance LED solution designed with versatility and a slim, low profile design. The rugged, die-cast aluminum housing with UV resistant powder coat finish features an integral, watertight LED driver compartment along with high performance aluminum heat sinks.

Applications: Apartments, Hotels, Parking lots, Auto dealerships, Billboard, Façade, Wall Washing, Landscape, and general outdoor lighting.

## Fixture Information

Size:	8W/12W/16W/20W
Housing:	Die-cast Aluminum Housing
Finish:	Protective powder coat
Color:	Standard: Bronze Custom Options: Black (BK), White (WH), Grey (GY)
Mounting:	Standard: Knuckle Mount
Lens:	High Performance Acrylic
Power Factor:	.90
CRI:	80
Temperature:	-22°F - 113°F
Voltage:	Standard: 120-277V
Dimming:	Standard: 0-10V Dimming
Sensor:	Standard: Button Photocell with cap
Warranty:	10-Year Limited Warranty

## Performance Data

### Lumen Output:

1,185 to 2941 lm

### Lumens Per Watt (typical):

132 - 160 lm/W

### CCT:

3000K  
4000K  
5000K

### Beam Angle:

26°

### Lifespan:

Up to 100,000 running hours

### Ratings & Certificates

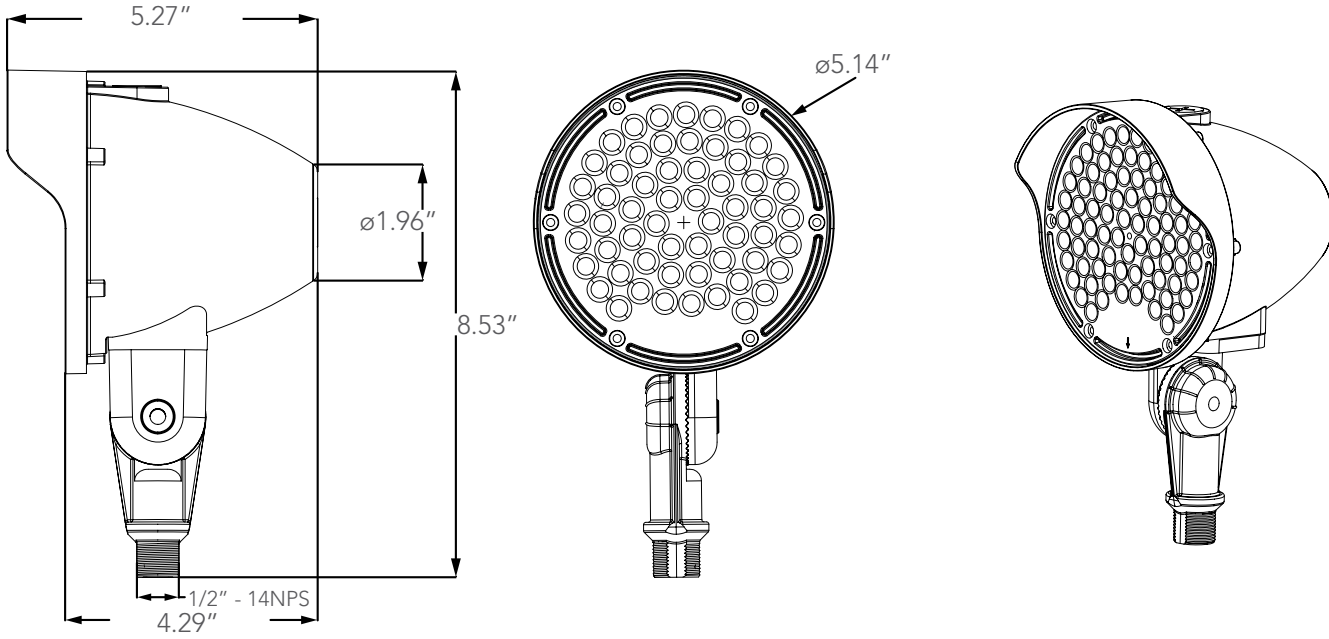
UL Listed For Wet Location  
IP65 rated



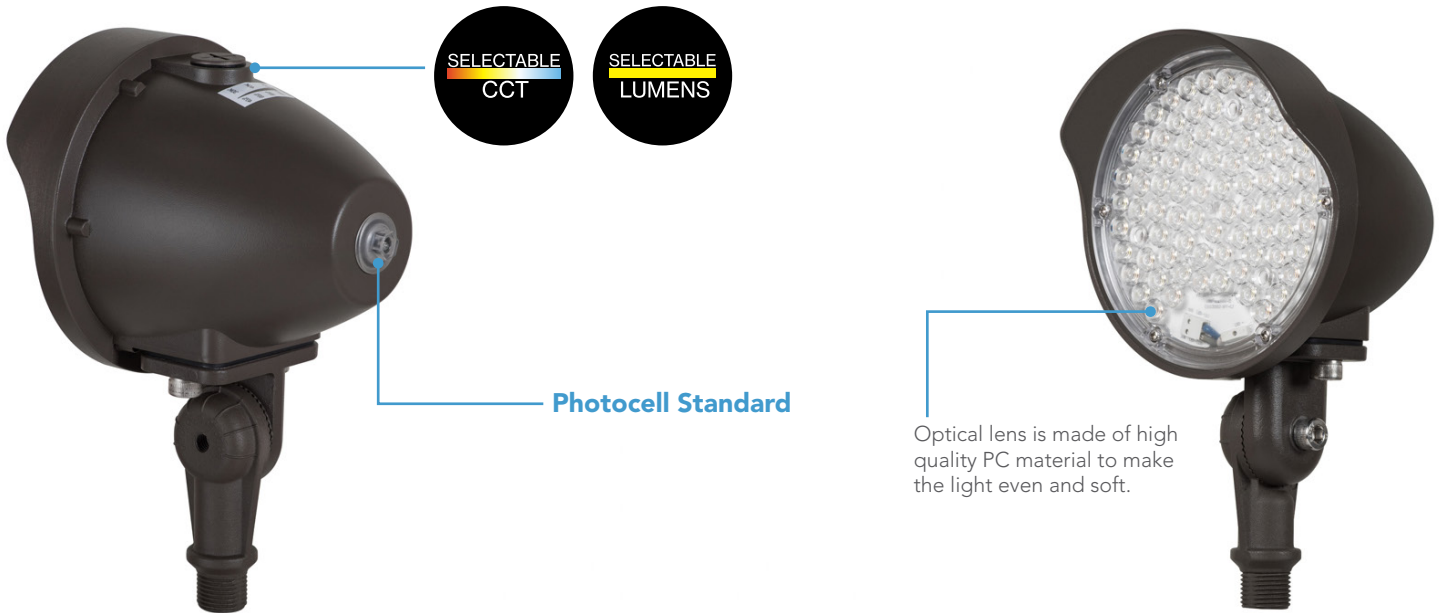


### Dimension

Item	Height	Width	Length	Weight
10W/15W/20W/27W Knuckle	8.53"	5.14"	5.27"	2.95 lbs



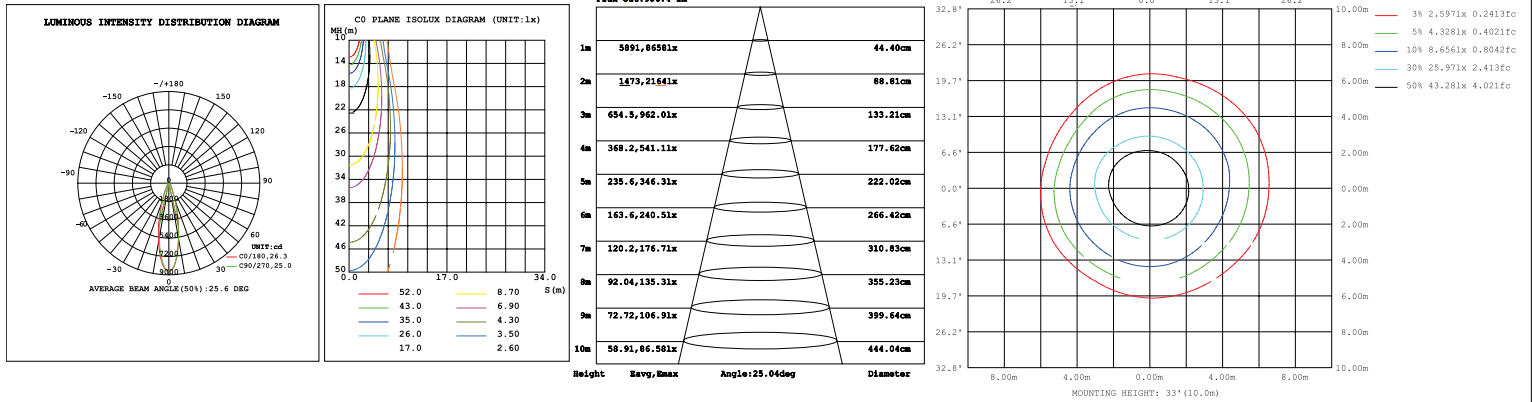
### Control Module



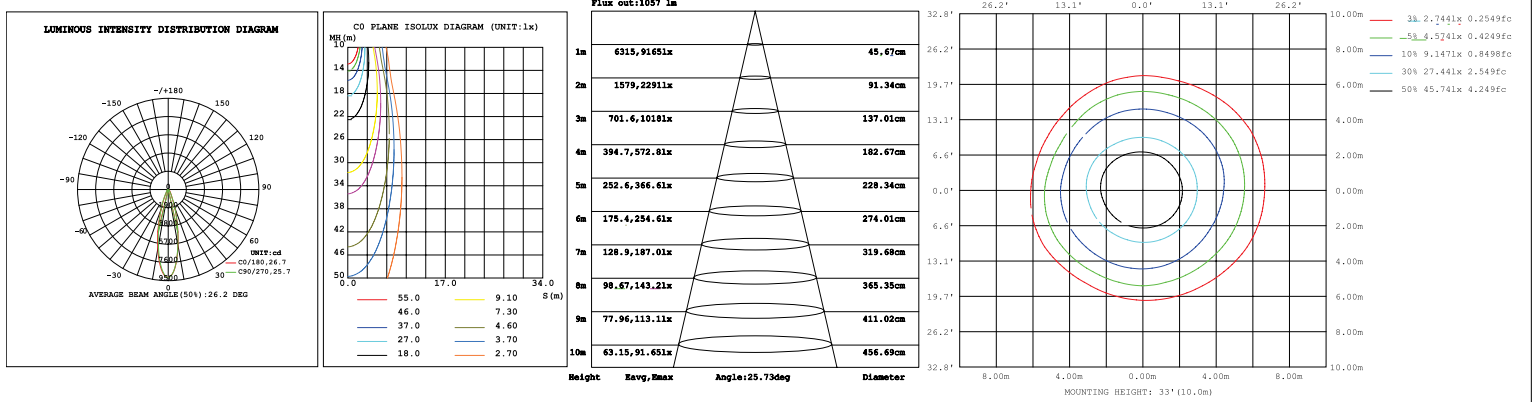


# Photometrics

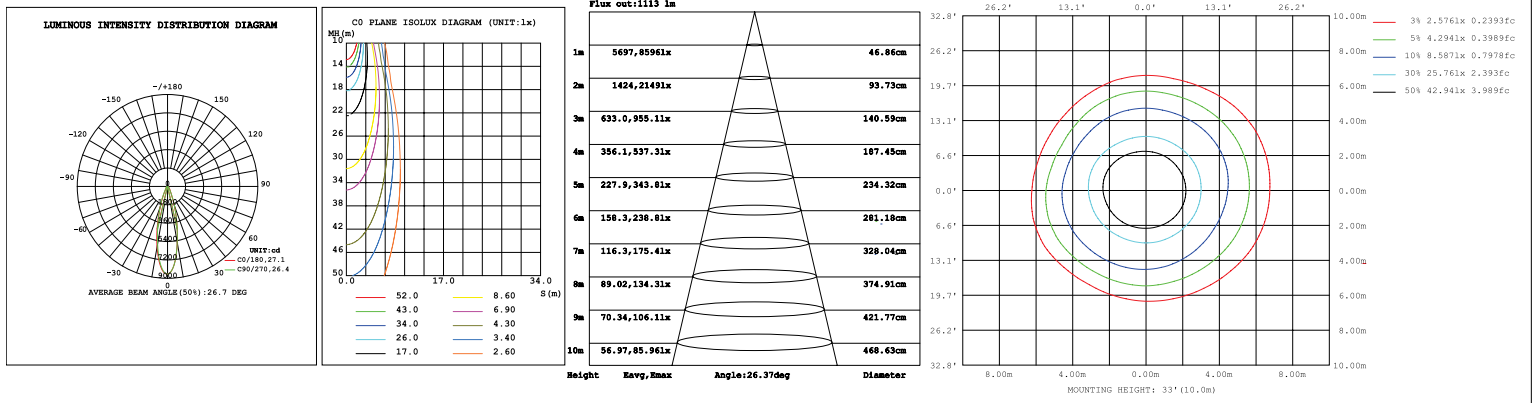
## 20W 3000K



## 20W 4000K



## 20W 5000K





<b>Project Name</b>	
<b>Catalog #</b>	
<b>Job Type</b>	
<b>Prepared By</b>	
<b>Notes</b>	

### Fixture Ordering Information

<b>Part #</b>	<b>Wattage</b>	<b>Lumens</b>	<b>Kelvin</b>	<b>Voltage</b>	<b>Distribution</b>
LL-FLLB-[8][12][16][20]-3CCT-UNV-BZ-KM-PC	8W / 12W / 16W / 20W	1254/1823/2368/2941	3000K 4000K 5000K	120-277	26°
LL-FLLB-[8][12][16][20]-3CCT-UNV-WH-KM-PC	8W / 12W / 16W / 20W	1254/1823/2368/2941	3000K 4000K 5000K	120-277	26°
LL-FLLB-[8][12][16][20]-3CCT-UNV-BK-KM-PC	8W / 12W / 16W / 20W	1254/1823/2368/2941	3000K 4000K 5000K	120-277	26°
LL-FLLB-[8][12][16][20]-3CCT-UNV-GY-KM-PC	8W / 12W / 16W / 20W	1254/1823/2368/2941	3000K 4000K 5000K	120-277	26°