

# High Bay Round Premium Installation Instructions



## Warning

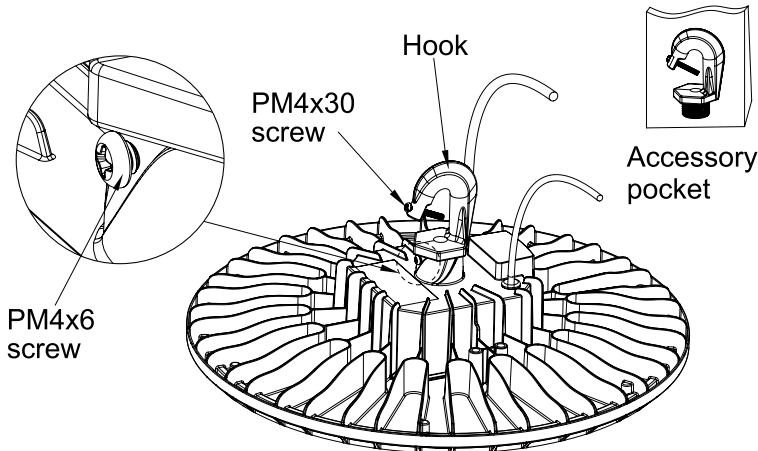
PLEASE READ ALL INSTRUCTIONS BEFORE ATTEMPTING INSTALLATION

- To prevent personal injury or product damage only licensed electricians should install.
- To avoid electric shock or component damage disconnect power before attempting installation or servicing.
- This product must be installed in accordance with the national electric code (NEC) and all applicable federal, state and local electric codes and safety standards.
- Disconnect product and allow cooling prior to servicing.
- Any alteration or modification of this product is expressly forbidden as it may cause serious personal injury, death, property damage and/or product malfunction.
- To prevent product malfunction and/or electrical shock this product must be properly grounded.
- This luminaire is designed to operate in ambient temperatures ranging from -40°C to 50°C and to be horizontally mounted with the LEDs facing down.
- This product must be installed in accordance with the applicable installation code by a person familiar with the construction and operation of the product and the hazards involved.
- Min 75°C supply conductor
- CONSULT A QUALIFIED ELECTRICIAN TO ENSURE CORRECT BRANCH CIRCUIT CONDUCTOR.
- CAUTION - RISK OF FIRE.
- This product is not available for several special environments, such as places with corrosive gas liquids or high pressure water vapor.

## Installation Instructions

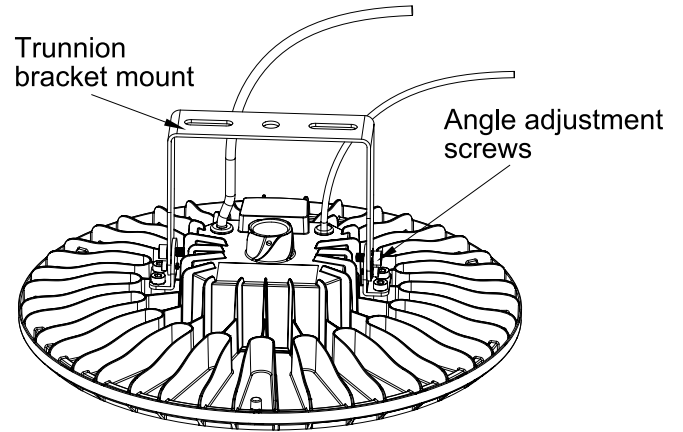
### Hook installation (Default)

1. Tighten the hook into the 3/4 NPS screw hole of the fixture.
2. Tighten the PM4×6 screw beside the hook.
3. Connect the wire according to the wiring diagram, then installation is done.



### Trunnion installation (Optional)

1. Secure the fixture to the mounting position, then adjust the desired angle and lock the angle adjustment screw.
2. Connect the wire according to the wiring diagram, then installation is done.



# High Bay Round Premium Installation Instructions

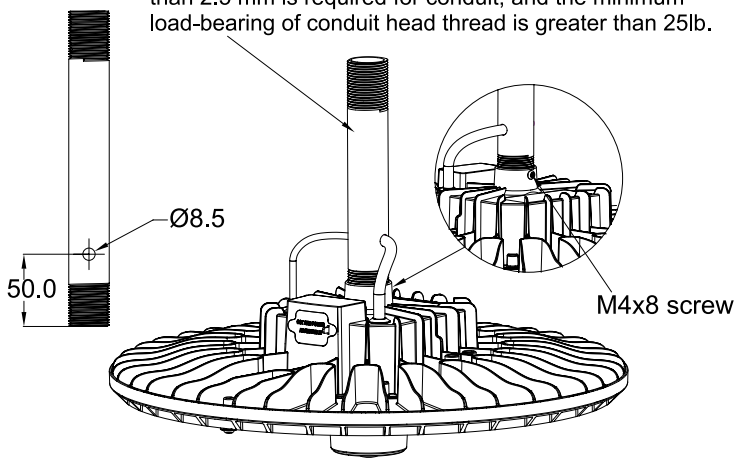


## Pendant Mounting with 3/4" Conduit (by other) (Optional)

1. Tighten the hook into the 3/4-14 NPS hole of the fixture.
2. In order to avoid winding issues when twisting the steel pipe, you can first wrap the input line and dimming light counterclockwise around the pipe 7–8 times.
3. After twisting the pipe, lock the M4x8 screw to prevent loosening.

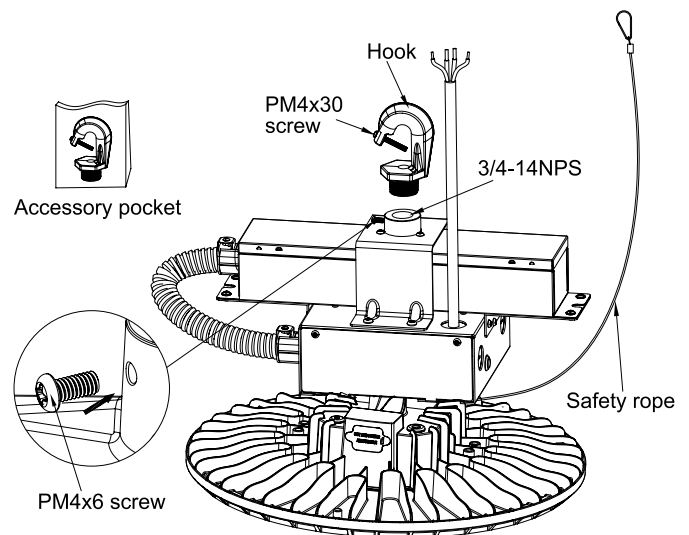
### 3/4 inch conduit (by others)

Note: Steel metal material with a thickness greater than 2.5 mm is required for conduit, and the minimum load-bearing of conduit head thread is greater than 25lb.



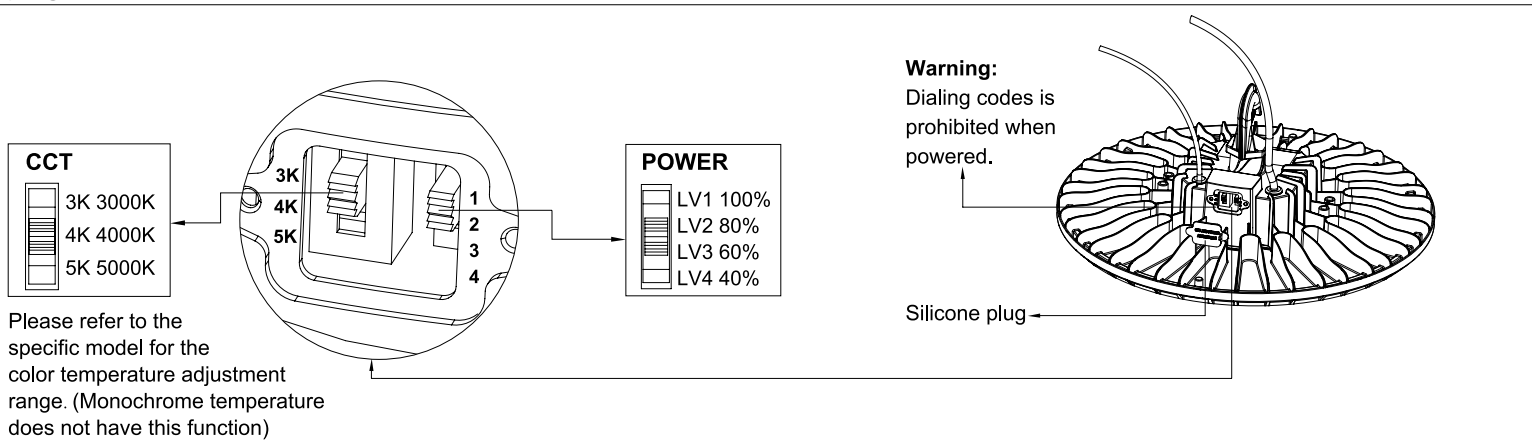
## With emergency power installation (Optional)

1. Hang up the safety rope first, then tighten the hook into the 3/4-14 NPS hole of the fixture.
2. Tighten the PM4x6 screw beside the hook.
3. Connect the wires according to the wiring diagram, then the installation is complete.



## Power and CCT selectable version (optional)

1. Open the silicone plug on the fixture. Select the desired power and color temperature via the DIP switch. Replace the silicone plug afterward.

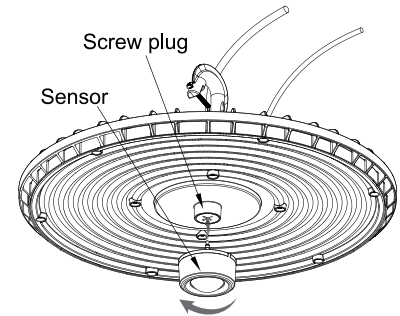


# High Bay Round Premium Installation Instructions



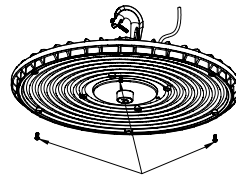
2. When installing the sensor, remove the screw plug of the fixture, insert the sensor and tighten it clockwise.

Note: When the emergency function and sensor are used at the same time, the Sensor's stand-by time is less than 90 minutes, the sensor's stand-by time prevails, if you need to prepare for the emergency 90 minutes, you need to set the sensor's stand-by time to more than 90 minutes.



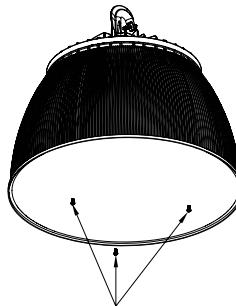
## PC Reflector Mounting (optional)

1. Remove the three 120° screws on the lens.



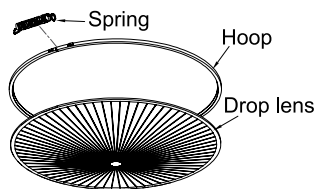
2. Attach PC or aluminum reflector using supplied screws:

- PC reflector: PWM4x18 screws.
- AL reflector: PWM4x14 screws.



3. For lens cover:

- Place lens on reflector lip.
- Secure with a metal alignment hoop using pliers.
- Note: Lens cover must be installed on reflector, not directly on fixture.

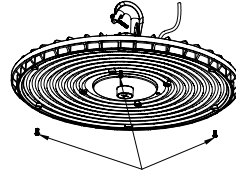


# High Bay Round Premium Installation Instructions

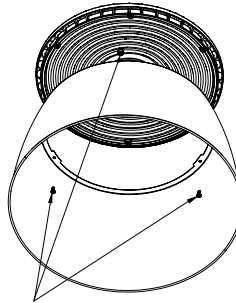


## Aluminum Reflector Mounting (optional)

1. Remove the three 120° screws on the lens.

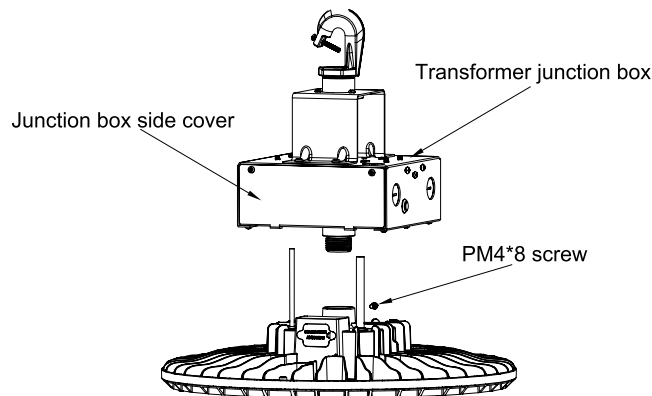


2. Use the 3 PWM4x14 screws provided in the accessory kit to fit the AL reflector

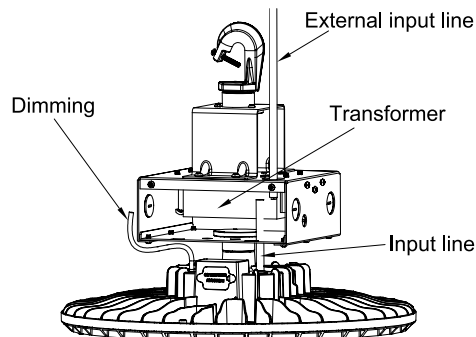


## High Voltage Wiring (optional)

1. Twist and attach the transformer junction box to the fixture. Secure with PM4x8 screws.



2. For wiring:  
-Open side cover of the junction box.  
-Route input/external wires.  
-Connect wires as per the wiring diagram.  
-Close the side cover.



# High Bay Round Premium Installation Instructions



## Wiring Diagram

