



High Bay Round High Temperature Series



Description

The LITELUME™ High Bay Round High Temperature Series (LL-HBRHT) is specialized for high lumen and high temperature applications up to 65°C. A robust design utilizing high heat-conducting aviation aluminum with a innovative multi-channel 360° ventilated housing utilizing a natural air convection design with proprietary heat management.

Applications include steel mills, manufacturing, warehouse and general factory.

Fixture Information

Size:	100W/150W/200W
Housing:	Aviation Grade Aluminum
Finish:	Protective powder coat
Color:	Standard: Black Optional: White Custom Options available
Mounting:	Standard: Hook Mount
Power Cord:	Standard: 6" Cord
Lens:	Proprietary
Power Supply:	Meanwell HLG/HVG or Inventronics EUD/ESD driver
Safety & EMC:	MeanWell EMC IMMUNITY: Compliance to BS EN/EN61000-4-2,3,4,5,6,8,11, BS EN/EN61547, BS EN/EN55024, light industry level (surge immunity Line-Earth 4KV, Line-Line 2KV), EAC TP TC 020 Inventronics AC Power Line: Differential Mode 6 kV, Common Mode 10 kV
LEDs:	EMC3030 LEDs for regular lumen package, EMC5050 LEDs for high lumen package
Temperature:	-40°C to 65°C
Voltage:	Standard: 120-277V Optional: 277-480V
Dimming::	Optional
Power Factor:	>.95
CRI:	80
Accessories:	Remote Control
Sensor:	Standard: No sensor Optional: Motion Sensor, Daylight Sensor and controls
Warranty:	10-Year Limited Warranty

Performance Data

Lumen Output:

14,725 to 36,000 lm

Lumens Per Watt (typical):

147 to 180 lm/W

CCT:

4000K

5000K

Beam Angle:

30°

60°

90°

120°

Lifespan:

Featuring Meanwell or Inventronics driver & Proprietary Light Engine with High Grade High 3030 / 5050 LEDs with 180,000+ Hours

Ratings & Certificates

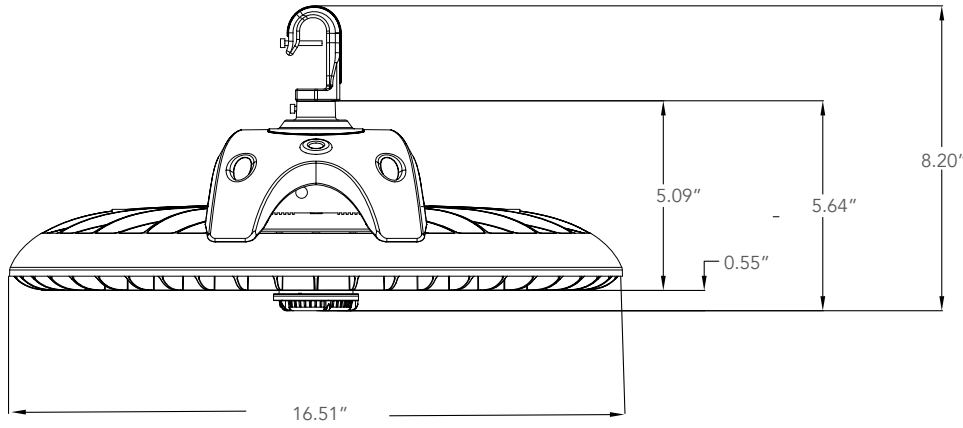
ETL Listed for Wet Locations
IP65 rated





Dimension

Item	Diameter	Height
100W/150W/200W	16.51"	8.20"





Project Name	
Catalog #	
Job Type	
Prepared By	
Notes	

Fixture Ordering Information

Part #	Wattage	Lumens	CCT	Voltage	Color
LL-HBRHT-100-50-UNV-BK	100	15500	5000	120-277	Black
LL-HBRHT-100-40-UNV-BK	100	14725	4000	120-277	Black
LL-HBRHT-150-50-UNV-BK	150	23250	5000	120-277	Black
LL-HBRHT-150-40-UNV-BK	150	22087	4000	120-277	Black
LL-HBRHT-200-50-UNV-BK	200	31000	5000	120-277	Black
LL-HBRHT-200-40-UNV-BK	200	29450	4000	120-277	Black
LL-HBRHT-HL-100-50-UNV-BK	100	18000	5000	120-277	Black
LL-HBRHT-HL-100-40-UNV-BK	100	17100	4000	120-277	Black
LL-HBRHT-HL-150-50-UNV-BK	150	27000	5000	120-277	Black
LL-HBRHT-HL-150-40-UNV-BK	150	25650	4000	120-277	Black
LL-HBRHT-HL-200-50-UNV-BK	200	36000	5000	120-277	Black
LL-HBRHT-HL-200-40-UNV-BK	200	34200	4000	120-277	Black
LL-HBRHT-100-50-HV-BK	100	15500	5000	277-480	Black
LL-HBRHT-100-40-HV-BK	100	14725	4000	277-480	Black
LL-HBRHT-150-50-HV-BK	150	23250	5000	277-480	Black
LL-HBRHT-150-40-HV-BK	150	22087	4000	277-480	Black
LL-HBRHT-200-50-HV-BK	200	31000	5000	277-480	Black
LL-HBRHT-200-40-HV-BK	200	29450	4000	277-480	Black
LL-HBRHT-HL-100-50-HV-BK	100	18000	5000	277-480	Black
LL-HBRHT-HL-100-40-HV-BK	100	17100	4000	277-480	Black
LL-HBRHT-HL-150-50-HV-BK	150	27000	5000	277-480	Black
LL-HBRHT-HL-150-40-HV-BK	150	25650	4000	277-480	Black
LL-HBRHT-HL-200-50-HV-BK	200	36000	5000	277-480	Black
LL-HBRHT-HL-200-40-HV-BK	200	34200	4000	277-480	Black

Accessories Ordering Information

Part #	Description
BLMMS	Bi-Level Microwave Motion Sensor
DH	Daylight Harvesting *Must Order with MMS*
LL-400	REMOTE CONTROL 400
HBRHT30	30° Beam
HBRHT60	60° Beam
HBRHT90	90° Beam
HBRHT120	120° Beam

* Please contact LITELUME for all Custom Option Requests