

Wallpack Installation Instructions

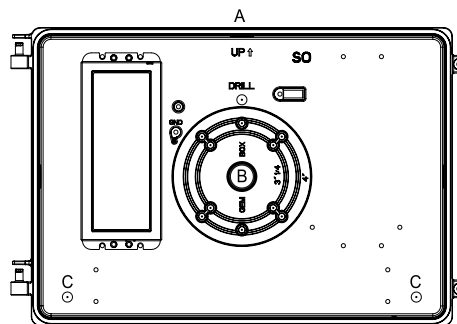


⚠ Warning

1. To avoid electric shock, disconnect power at source prior to installation.
2. The installation should be performed by qualified electricians or lighting technicians.
3. Before conducting any installation, maintenance, or removal, disable all power to the luminaires and wait until the fixture cool down.
4. Do not touch the fixture while it is in service.
5. If there is any problem with the fixture, DO turn off power and DO NOT attempt repair unless you are a qualified technician or the customer service member.
6. This luminaire is designed to operate in ambient temperatures ranging from -40°C to 40°C and to be horizontally mounted with the LEDs facing down.
7. This product is not available for several special environments, such as places with corrosive gas liquids or high pressure water vapor.

1. Junction Box Mounting

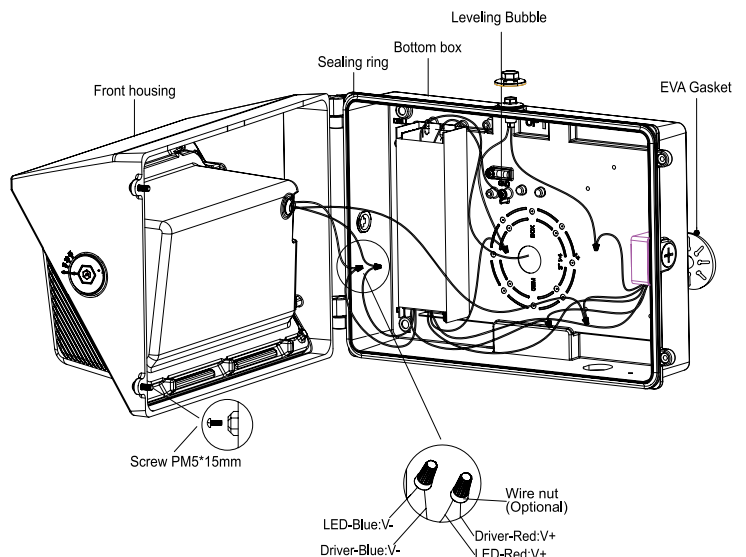
1. Loosen screws and remove the front case set carefully from the back plate. (Angle between front case and back plate varies from 0° to 45°. Push up to take down the front case)
2. Knuckle out the 1/2" in center (B) for wiring, the fixture supports standard 3-1/4" and 4" junction box.
3. Attach the back plate on the wall, use the supplied gaskets for a weather-tight seal.
4. Finish wiring (Black for Line, White for Neutral and Yellow/Green for Ground)
5. Replace the lens set on the hinges, make connections and close the lens set then tighten the screws.
6. CCT Regulator adopted, make sure that the red wire for V-plus, black for VH, and blue for VL.
7. When the sensor is configured, the sensor is tightened by assembling as shown below (Note: When the fixture is equipped with both sensor and CCT controller, the sensor's operation is only adjusted according to the maximum power of the fixture.).



- A - 1/2" NPS tapped holes (surface conduit or photo control)
- B - 1/2" Nps Tapped Holes
- C - 5/16" dia. Screw hole

2. Conduit Mounting

1. Loosen screws and remove the front case set carefully from the back plate. (Angle between front case and back plate varies from 0° to 45°. Push up to take down the front case)
2. Remove 1/2" plug on left.
3. Drill out the holes (C) to secure it on the wall with proper screws.
4. Finish wiring (Black for Line, White for Neutral and Yellow/Green for Ground)
5. Replace the lens set on the hinges, make connections and close the lens set then tighten the screws.
6. CCT Regulator adopted, make sure that the red wire for V-plus, black for VH, and blue for VL.
7. When the sensor is configured, the sensor is tightened by assembling as shown below (Note: When the fixture is equipped with both sensor and CCT controller, the sensor's operation is only adjusted according to the maximum power of the fixture.).

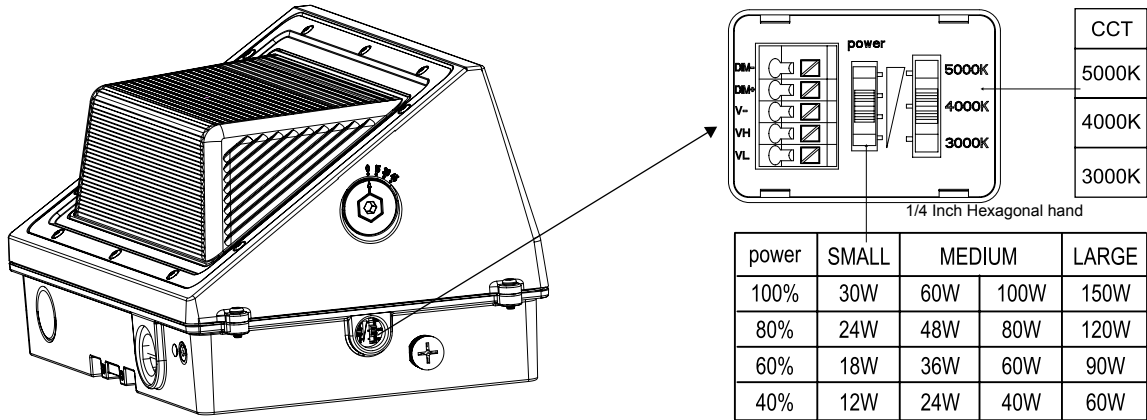


Wallpack Installation Instructions



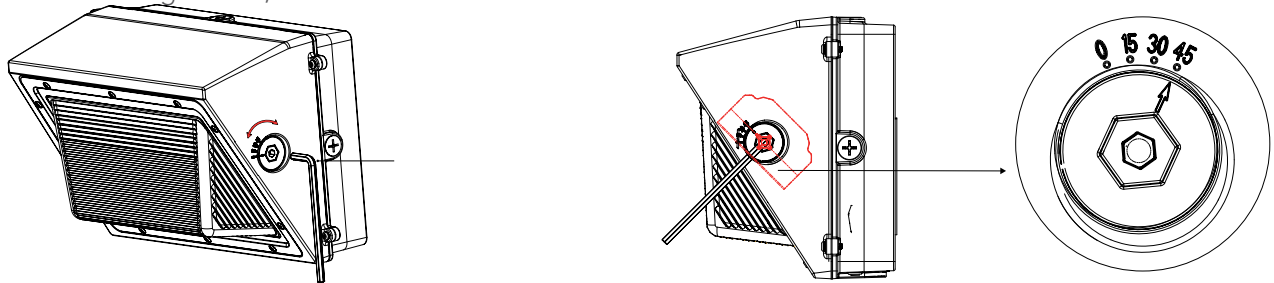
Power and CCT selectable version

Remove the 1/2" screw plug on the right side of the fixture. According to the figure, sliding dial switch to select the appropriate power and color temperature (CCT). Replace the 1/2" screw plug.



Adjustment Guide: Using a 1/4 Inch Hex Wrench

1. Insert the 1/4 inch hex wrench into the preset adjustment slot.
2. Rotate the wrench in the direction indicated by the arrow to adjust the scale pointer. (The scale reading corresponds to the angle between the internal luminous surface and the horizontal plane.)
3. When the angle reaches 0° or 45°, the internal protective structure will limit further adjustment.
4. Once the desired angle is set, remove the wrench.



Wallpack Installation Instructions



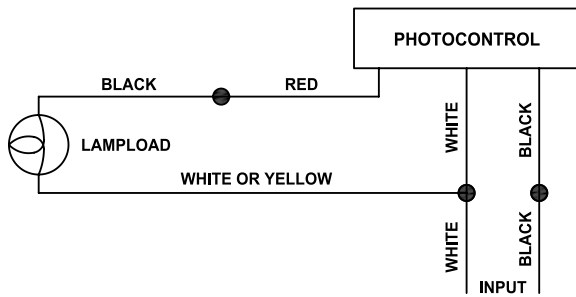
Troubleshooting

1. Check that the line voltage at the fixture is correct. Refer to wiring directions
2. Is the fixture grounded properly?
3. Be sure the photocell, if used, is functioning properly

Photocell Installation

Universal voltage driver permits operation at 60Hz except fixtures factory ordered with a 120-277VAC (P0)

1. Install photocell and wire as per diagram.
2. Use photocell rated for your supply voltage.



Wiring Diagram

For dimming version, please check wiring diagram below.

WITHOUT EMERGENCY BATTERY

LED FIXTURES	Black	Line
	White	Neutral
	Green/Yellow Green	Ground
	Purple	DIM+
	Pink	DIM-

EMERGENCY BATTERY

LED FIXTURES	Red	AC line(24/7)
	Black	AC line switch
	White	Neutral
	Green/Yellow Green	Ground
	Purple	DIM+
	Pink	DIM-