



Description

Remote Capable Compact Thermoplastic Exit Sign

Illumination:

- Ultra-bright, energy efficient, long-life Red or Green LED EXIT sign illumination

Electrical:

- Dual 120/277 voltage.
- Unique bi-color LED indicator light alerts occupant on battery condition (Green-normal, Red-check battery).
- Charge rate/power "ON" LED indicator light and push-to-test switch for mandated code compliance testing.
- 3.6V long life, maintenance-free, rechargeable NiCd battery.
- 5.5W of remote capacity standard.
- Internal solid-state transfer switch automatically connects the internal battery to LED board and connected LED lamp heads for minimum 90-minute emergency illumination.
- Fully automatic solid-state, two rate charger initiates battery charging to recharge a discharged battery in 24 hours.

Mounting:

- Mounting canopy included for top or end mount.
- Universal K/O pattern on back plate for wall mount.

Housing:

- Injection-molded, engineering grade, 5VA flame retardant, high-impact, thermoplastic in white or black finish.
- Snap-out Chevron directional indicators.

Options:

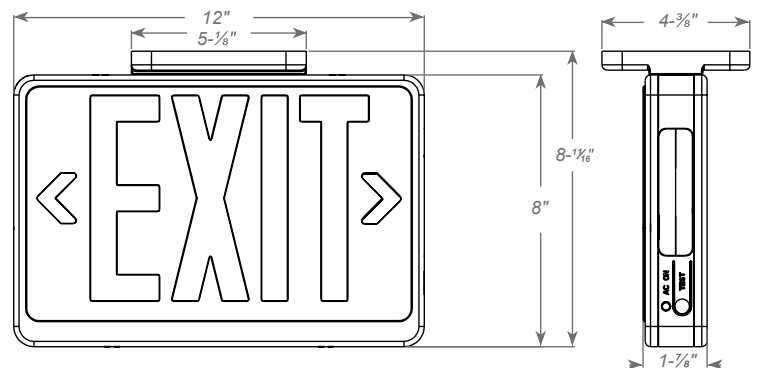
- SDT: Self-diagnostic feature performs monthly, biannual, and annual tests to ensure reliable operation and meet electrical and life safety codes. Universal 120-277 voltage.

Warranty/Listing:

- Seven year warranty on all electronics and housing. Battery prorated for two years.
- UL Listed for damp locations (0°C – 40°C).
- Meets UL924, NFPA 101 Life Safety Code, NEC, OSHA, Local and State Codes.
- Certified to CEC under Title 20 Regulations.



Dimensions:





Project Name	
Catalog #	
Job Type	
Prepared By	
Notes	

Fixture Ordering Information

Model	No. of Faces		Letter Color		Housing Color		Options	
LL-CEMXTE	2	Universal Single/ Double Face	R G	Red Green	W B	White Black	SDT	Self-Diagnostics

Electrical Information

Catalog Number	Input Watts (W)		Input Amps (A)	
	120V	277V	120V	277V
LL-CEMXTE Red/Green	1.2	1.2	0.12	0.11
LL-CEMXTE Red SDT	3.0	3.0	0.36	0.36
LL-CEMXTE Green SDT	3.0	3.0	0.34	0.34

Remote Lamp Compatibility

Model Number	Battery	Remote Capacity	Compatible Remote Head Family			
			LL-RHLED	LL-MRHLED	LL-RH16LED	LL-SRHLED
LL-CEMXTE	3.6V	5.5W	X	X		