

Linear Beam Architectural Installation Instructions



Warning

PLEASE READ ALL INSTRUCTIONS BEFORE ATTEMPTING INSTALLATION

1. To reduce the risk of death, personal injury or property damage from fire, electric shock, falling parts, cuts/abrasions, and other hazards read all warnings and instructions included with and on the fixture box and all fixture labels.
2. Before installing, servicing, or performing routine maintenance upon this equipment, follow these general precautions.
3. Commercial installation, service and maintenance of luminaires should be performed by a qualified licensed electrician.
4. For the installation: If you are unsure about the installation or maintenance of the luminaires, consult a qualified licensed electrician and check your local electrical code.
5. To prevent wiring damage or abrasion, do not expose wiring to edges of sheet metal or other sharp objects.
6. Do not make or alter any open holes in an enclosure of wiring or electrical components during kit installation.
7. Turn off electrical power at fuse or circuit breaker box before wiring fixture to the power supply.
8. Turn off the power when you perform any maintenance.
9. Verify that supply voltage is correct by comparing it with the luminaire label information.
10. All wiring connections should be capped with UL approved wire connectors

Caution

- Avoid direct eye exposure to the light source while it is on.
- Account for small parts and destroy packing material, as these may be hazardous to children.
- Risk of burn. Disconnect power and allow fixture to cool before changing bulb or handing fixture.

NOTICE: Green ground screw provided in proper location. Do not relocate.

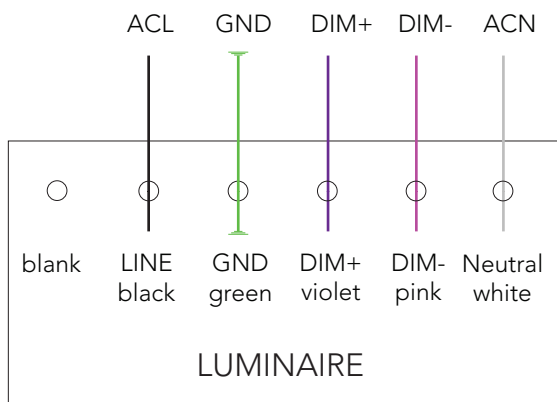
NOTICE: Minimum 90° supply conductors

NOTICE: Specifications and dimensions subject to change without notice.

NOTICE: Suitable for Dry or Damp location

General Wiring Diagram

 MUST connect wires with corresponding colors.

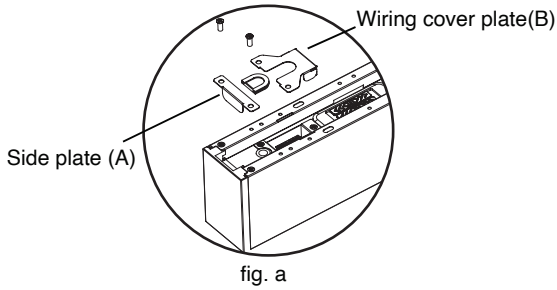


Linear Beam Architectural Installation Instructions

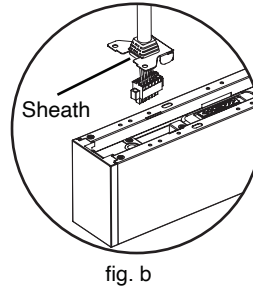


Fixture Power Cord Installation

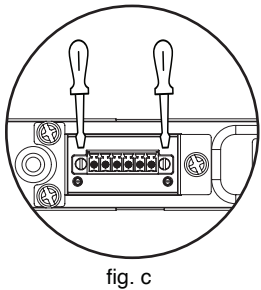
1. Remove wiring Plate A and B.(fig. a)



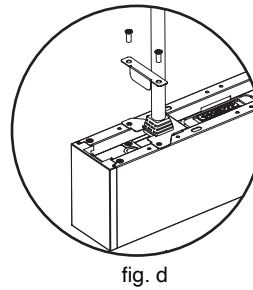
2. Snap Power cord sheath onto plate B. Connect the male plug on the power cord to the female socket inside the fixture.(fig. b)



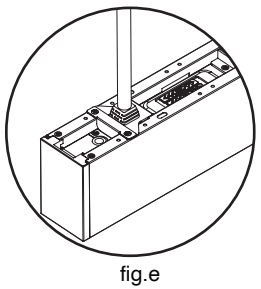
3. Tighten the 2 lock-screws on the male plug with flat-head screwdriver.(fig. c)



4. Reattach Plate A & B to fixture body.(fig. d)



5. Power cord installation completed.(fig. e)



Linear Beam Architectural Installation Instructions




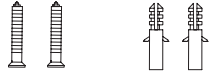


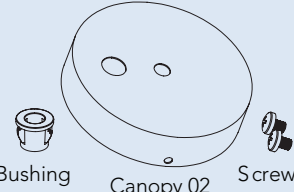
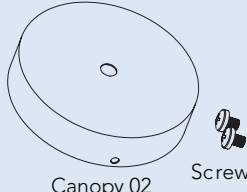

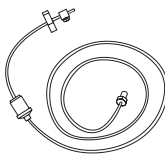
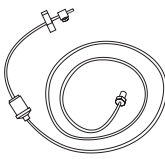
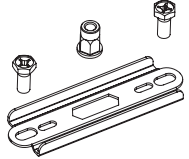
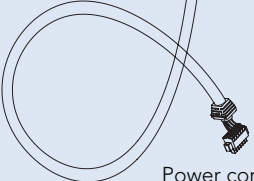
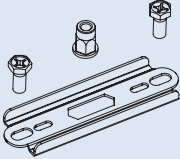
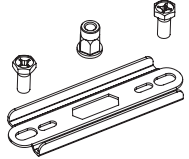


Suspension Types

POWER FEED CANOPY

NO FEED CANOPY

CABLE KIT (Optional)

<p>1</p>  <p>Cross bar</p>	<p>5</p>  <p>Cross bar</p>	<p>10</p>  <p>Ceiling nut</p>
<p>2</p>  <p>Screw A $\phi 6$ Anchors</p>	<p>6</p>  <p>Screw A $\phi 6$ Anchors</p>	<p>11</p>  <p>Screw A $\phi 6$ Anchors</p>
<p>3</p>  <p>Bushing Canopy 02 Screw A</p>	<p>7</p>  <p>Canopy 02 Screw A</p>	<p>12</p>  <p>Cable B, height adjustable</p>
<p>4</p>  <p>Cable A, height adjustable</p>	<p>8</p>  <p>Cable A, height adjustable</p>	<p>13</p>  <p>Connection Plate*</p>
 <p>Power cord</p>	<p>9</p>  <p>Connection Plate*</p>	<p>13</p>  <p>Connection Plate*</p>

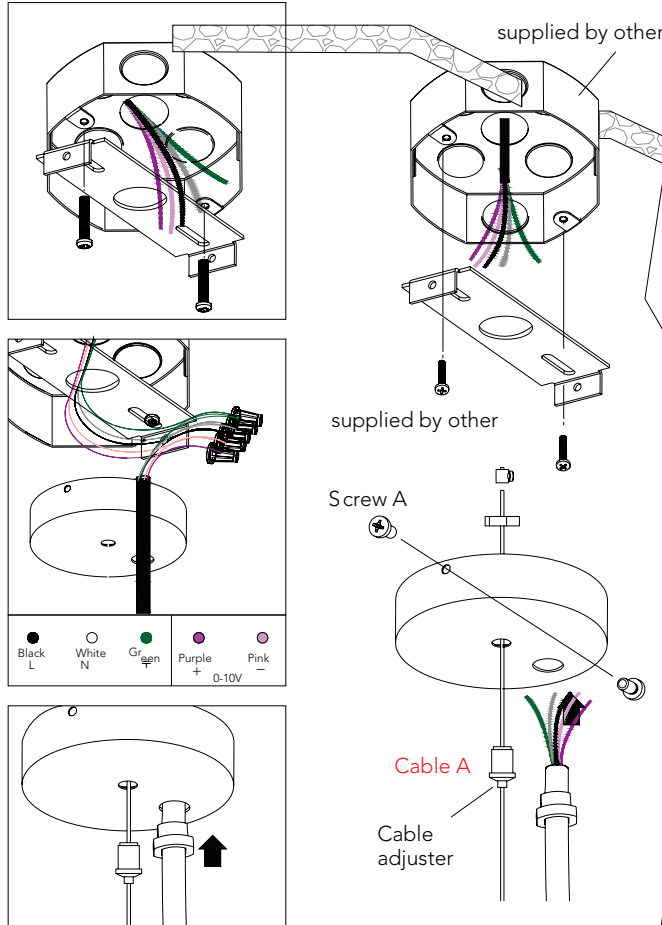
1 to 9 included in Suspension mount kit. 10 to 13 included in Cable kit.

*Required in any type of connection application

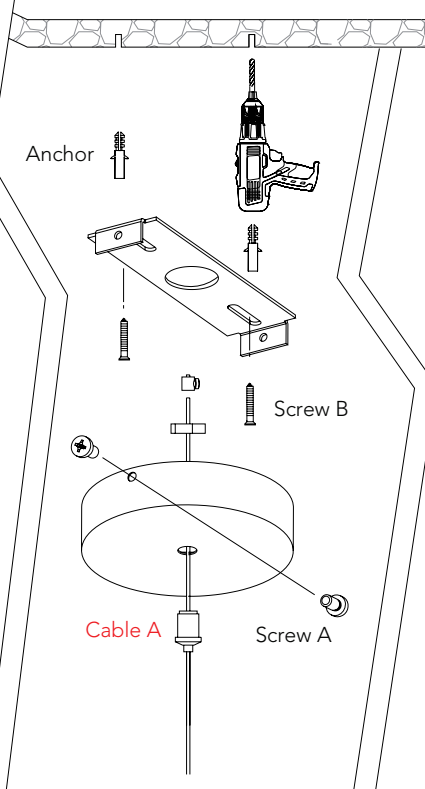
Linear Beam Architectural Installation Instructions



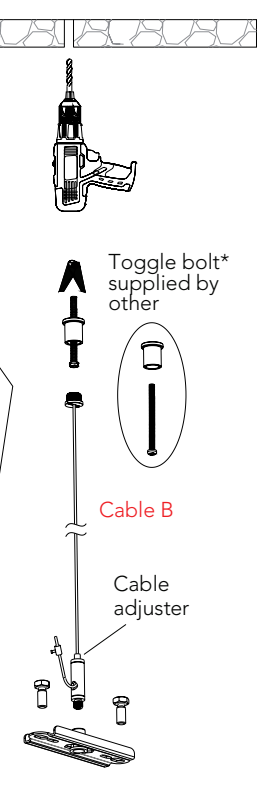
POWER FEED CANOPY



NON-FEED CANOPY



CABLE KIT (non-canopy)



Please isolate two dimming wires (pink and purple) by P2 terminal individually if no need dimming. A

* Suitable for T-Grid ceiling

How To Hang Fixture?

CABLE A		CABLE B	
Independent pendant or first light pendant	Pendant in connection position	Independent pendant or first light pendant	Pendant in connection position

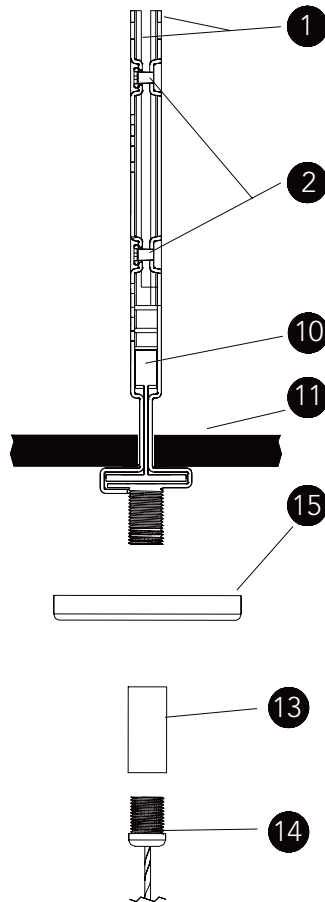
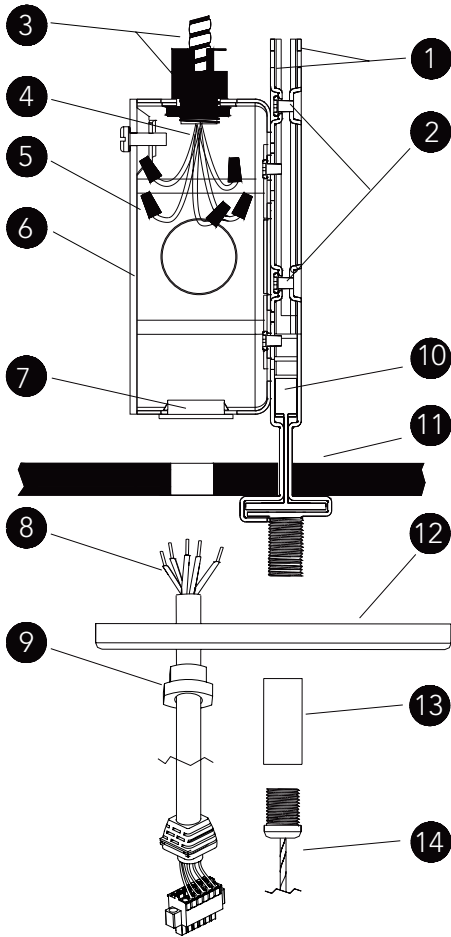
Linear Beam Architectural Installation Instructions



Grid Suspension Mount

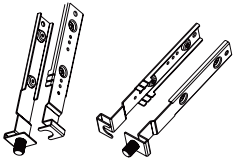
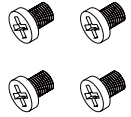

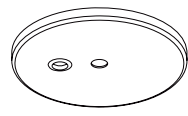
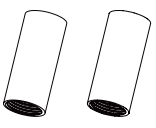
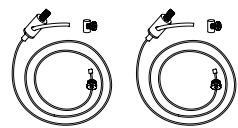

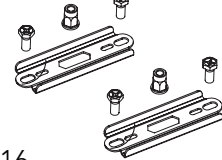
POWER FEED

NON-FEED SUSPENSION



PARTS LIST

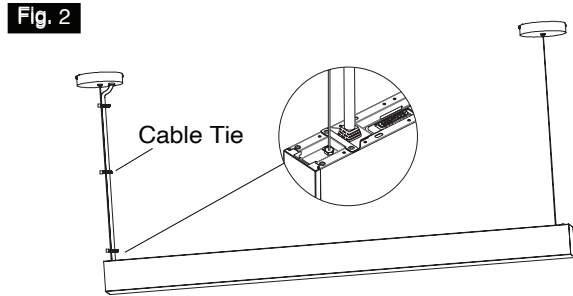
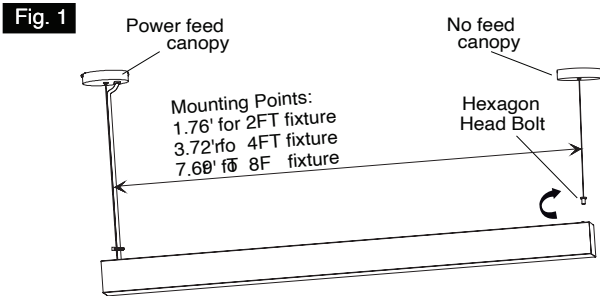
- ① Assembled T-grid Clips
- ② Clip Screws
- ③ Armored Cable (By Others)
- ④ Power Cord (By Others)
- ⑤ Wire Nut (By Others)
- ⑥ 4" Octagon Junction Box (By Others)
- ⑦ Plastic Grommet (By Others)
- ⑧ Power Cord
- ⑨ Bushing
- ⑩ T-grid (By Others)
- ⑪ Ceiling Tile (By Others)
- ⑫ Power Feed Canopy
- ⑬ Threaded Sleeve M10
- ⑭ Aircraft Cable
- ⑮ Non-Feed Canopy
- ⑯ Connection plate kit

Assembled T-grid Clips, x2  1	Clip Screws, x4  2	Bushing, x1  9	Power Feed Canopy, x1  12
Threaded Sleeve M10, x2  13	Aircraft Cable, x2  14	Non-Feed Canopy, x2  15	Connection plate kit, x2  16

Linear Beam Architectural Installation Instructions

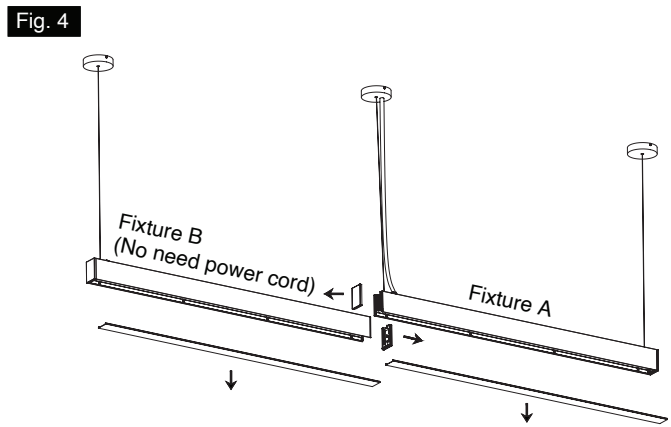
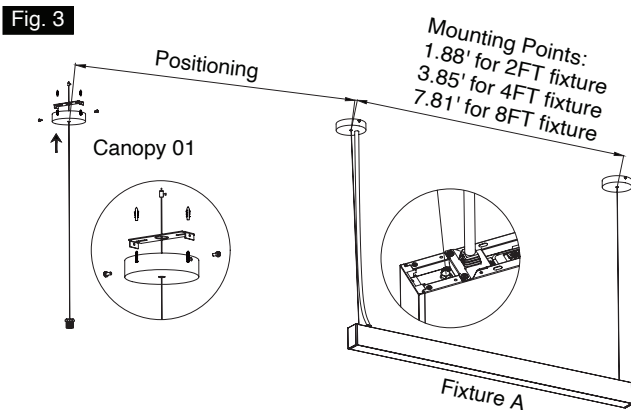


Independent Installation, pendant mount

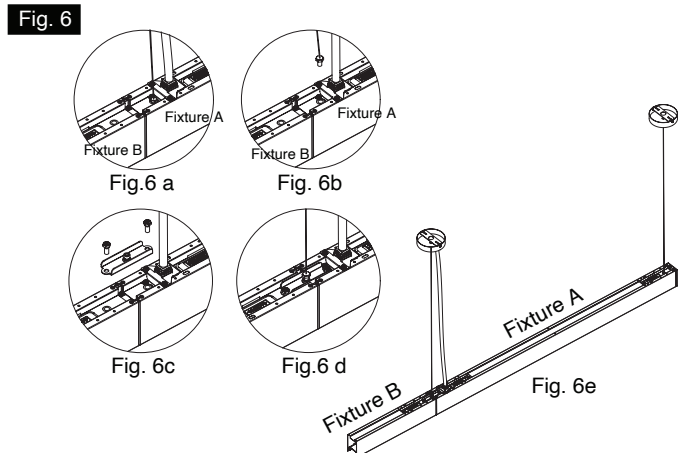
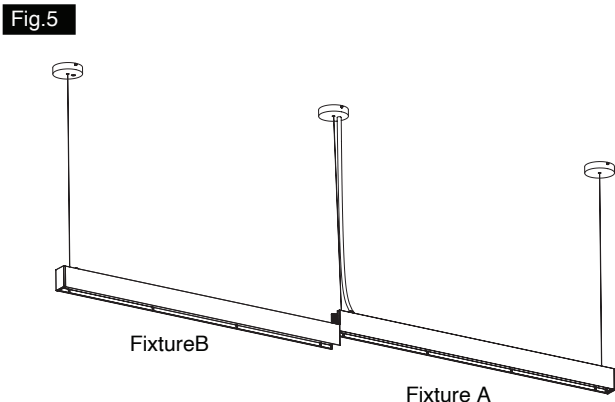


Independent Installation, pendant mount

1. Install cross-bar and No feed canopy to the ceiling after positioning refer to the dimensions in Fig 5. (Fig.3)
2. Hang one end of Fixture B firmly. Remove the end-caps and diffusers of the 2 fixtures. (Fig. 4)



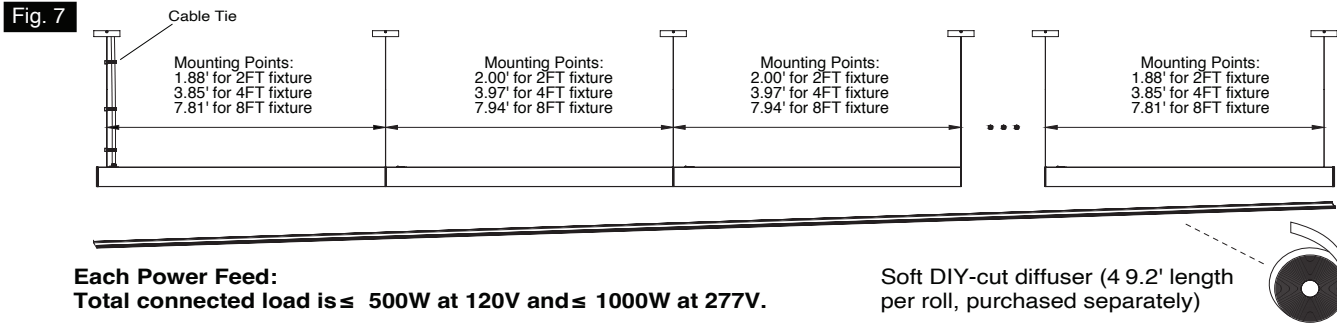
3. Align Fixture B to Fixture A, press and butt in to lock the 2 fixtures to a line. (Fig. 5)
4. Remove the Hexagon Head Bolt fixed on the Fixture A. (Fig. 6a & 6b)
5. Attach the connection bracket to fixtures' back. Then use Hexagon Head Bolt to hang the combination (Fig. 6c & 6d)
6. Adjust to desired height. (Fig. 6e)



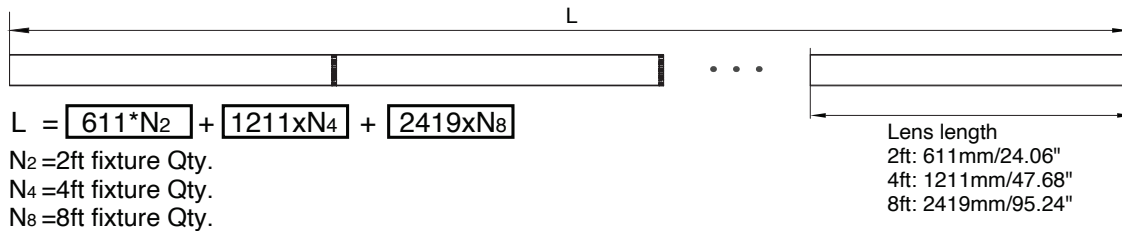
Linear Beam Architectural Installation Instructions



7. Cut the soft lens into a suitable length (refer to Diffuser Length Table), and install it to the channel of the fixture housing for seamless continuous run.

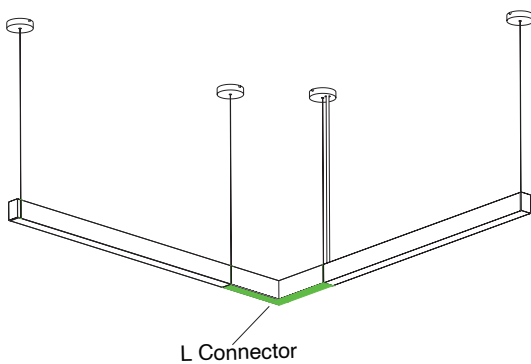


Diffuser Length Calculator For Seamless Continuous Run (Line Connection)

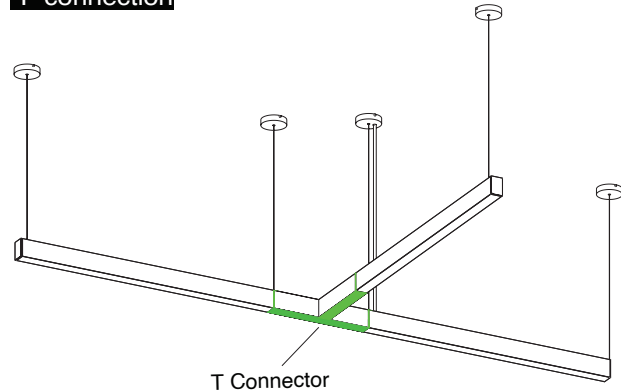


Multiple Connection Methods

L' connection



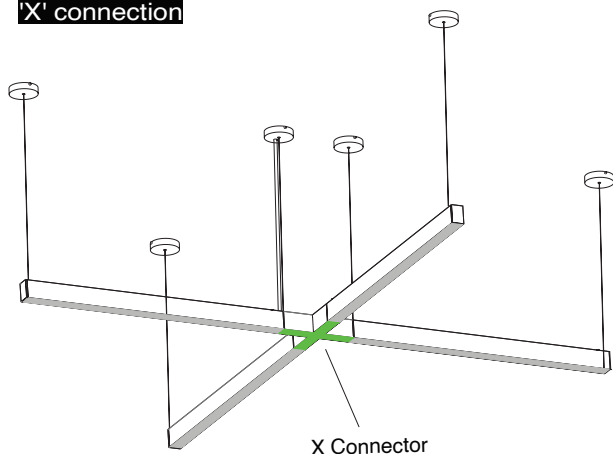
T' connection



Linear Beam Architectural Installation Instructions



'X' connection

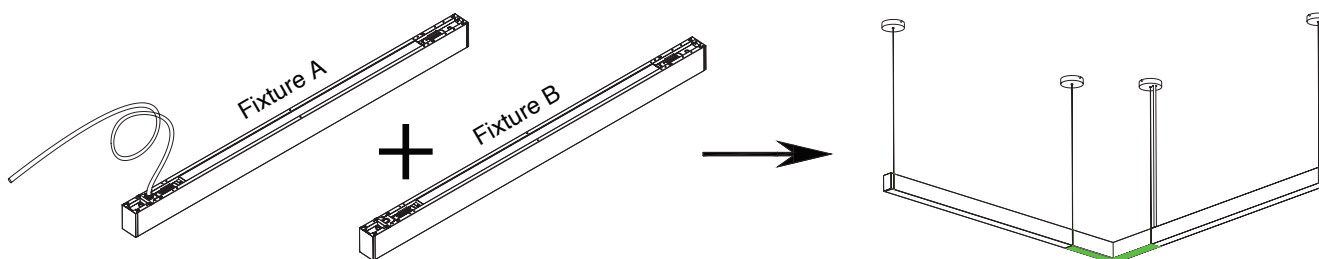


Max. No.* of each Power feed

Size/Power	AC 120V	AC 277V
2FT/20W	24 Pcs	48 Pcs
4FT/40W	12 Pcs	24 Pcs
8FT/80W	6 Pcs	12 Pcs

Total connected load is $\leq 500W$ at 120V and $\leq 1000W$ at 277V which include connectors.

L Shape Connection



1. Hang fixture A to the ceiling after positioning, remove end cap and diffuser. (Fig. 8)
2. Press and lock the 'L' connector to fixture A after removing the connector lens. Ensure the connector housing align to the fixture housing.(Fig. 9)

Fig.8

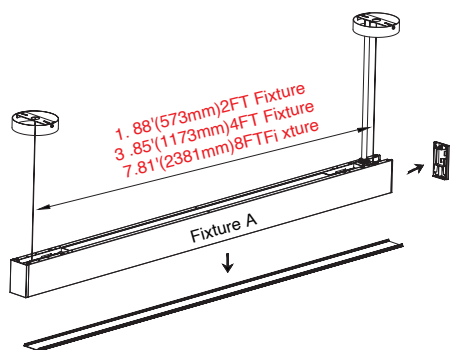
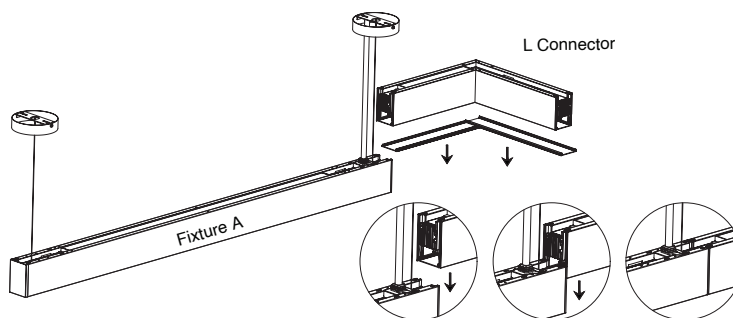


Fig.9



3. Remove the Hexagon Head Bolt fixed on the Fixture A (Fig. 10a). Attach the connection plate to fixture A and 'L' connector(Fig. 10b). Hang the combination with the cable bolt just removed and adjust to desired height.(Fig. 10c & 10d)
4. Hang one end of Fixture B firmly to the ceiling after positioning. Remove the end-cap and diffuser of fixture B. Press and lock the fixture B to the 'L' connector. Ensure the fixture B housing align to connector housing (Fig.11).
5. Attach the connection plate to the fixture B and 'L' connector. Hang the 'L' combination and adjust to desired height.(Fig. 11)

Linear Beam Architectural Installation Instructions



Fig.1 0

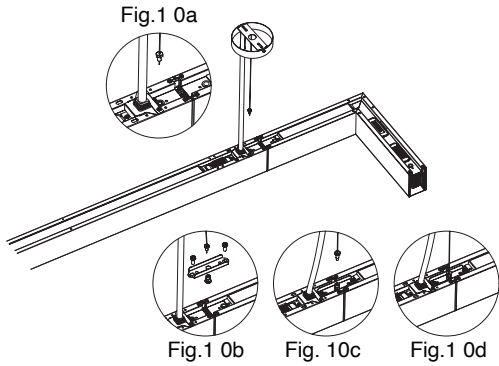
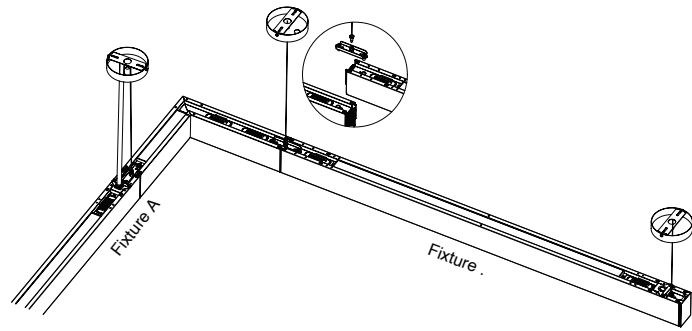
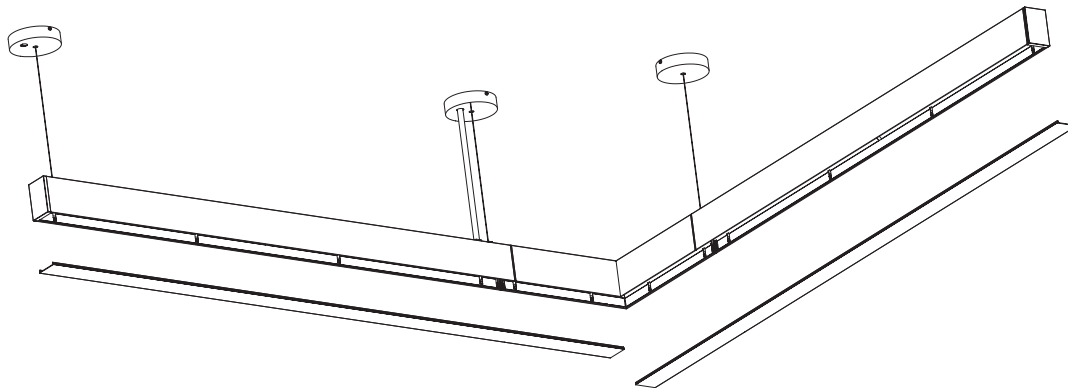


Fig.1 1



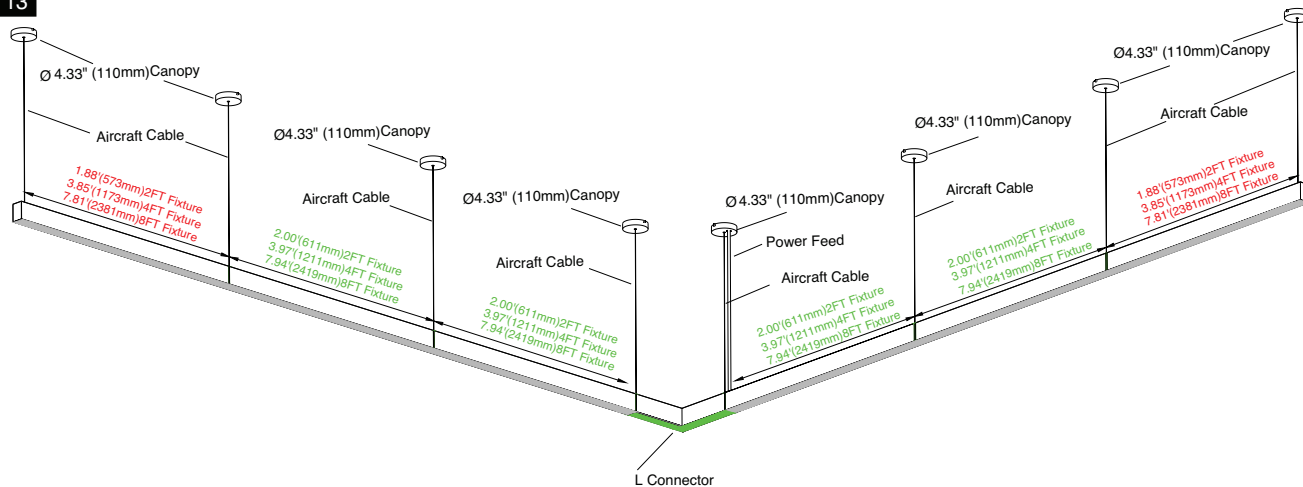
6. Reattach the lenses to fixtures and 'L' connector.(Fig. 12)

Fig. 12



L Shape Continuous Run

Fig. 13

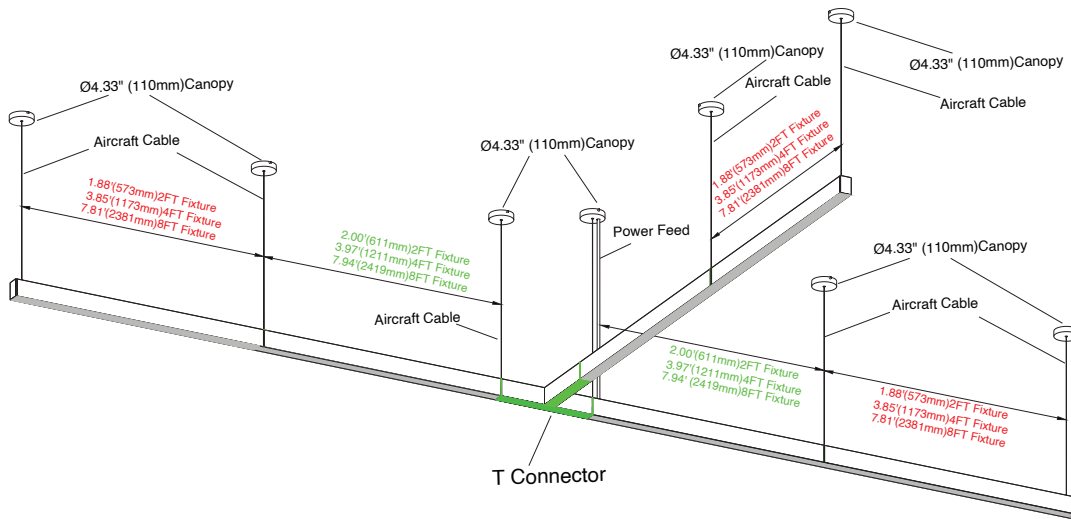


Linear Beam Architectural Installation Instructions



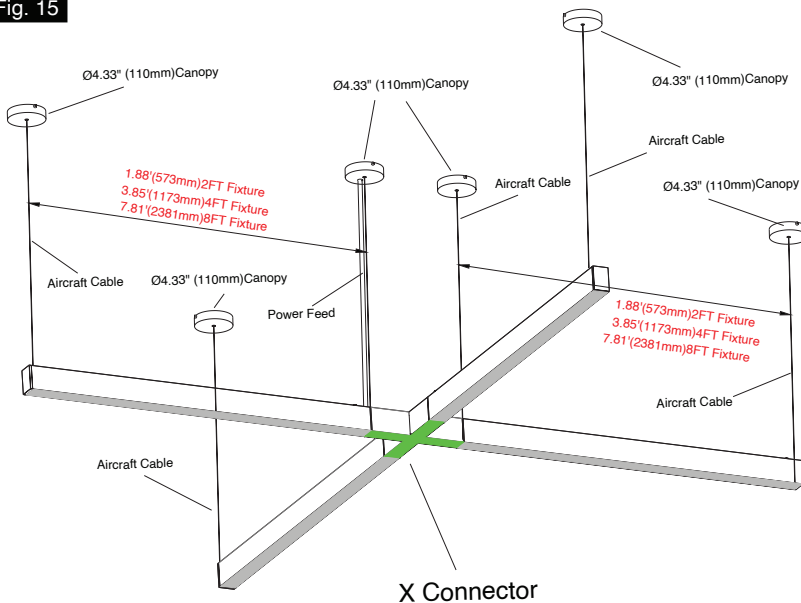
T Shape Continuous Run

Fig. 14

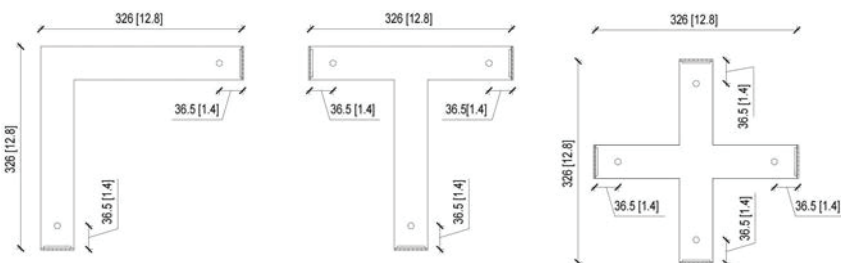


X Shape Continuous Run

Fig. 15



Connector Dimensions



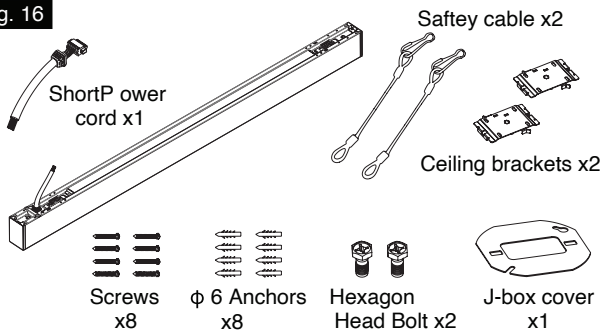
Linear Beam Architectural Installation Instructions



Surface Mount

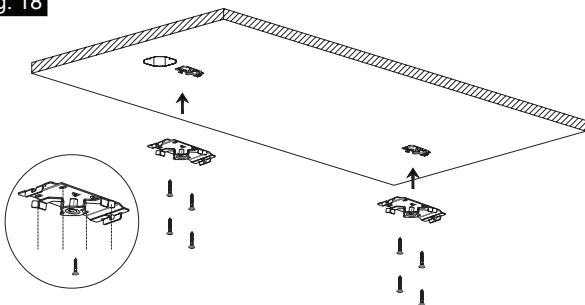
1. Take out the fixture and accessories from packaging and inspect for any damages. Connect the provided short power cord to the fixture before installation.

Fig. 16



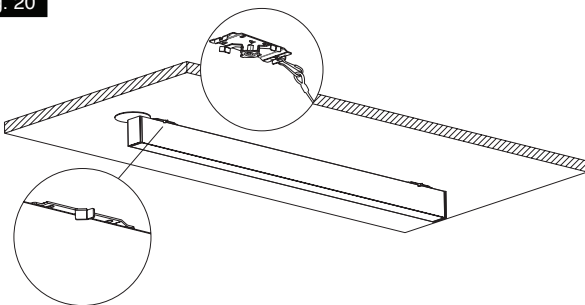
3. Fix the brackets to the ceiling with provided screws.

Fig. 18



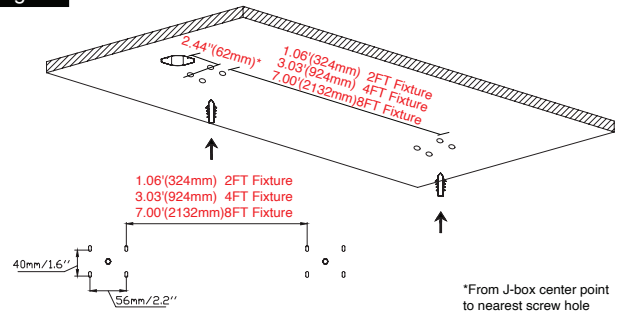
5. Attach the fixture to the brackets as shown, toggle and lock the latch on the bracket

Fig. 20



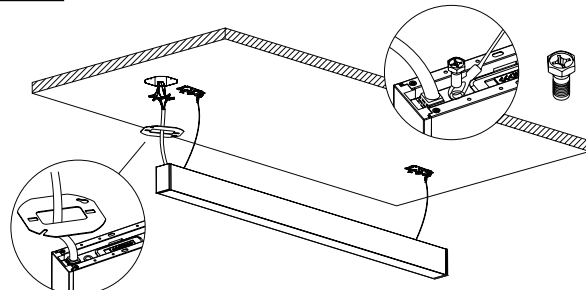
2. Position using the junction box as reference point and drill holes in the ceiling using brackets as a ruler, then install anchors.

Fig. 17



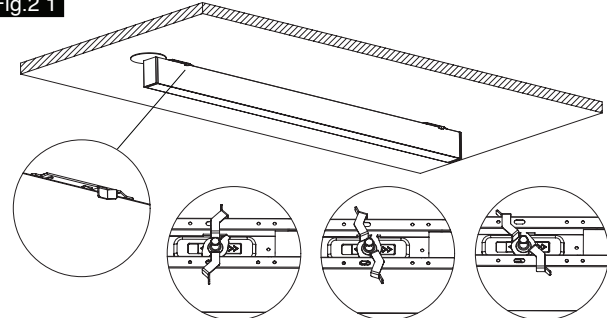
4. Fix safety cable to the fixture back with Hexagon Head Bolt. Hang the safety cables to the brackets. Pass power cord through the provided J-box cover-plate and make wiring to Main power.

Fig. 19



6. Make sure the fixture hung in the ceiling firmly. Clean up fingerprints and stains.

Fig. 21



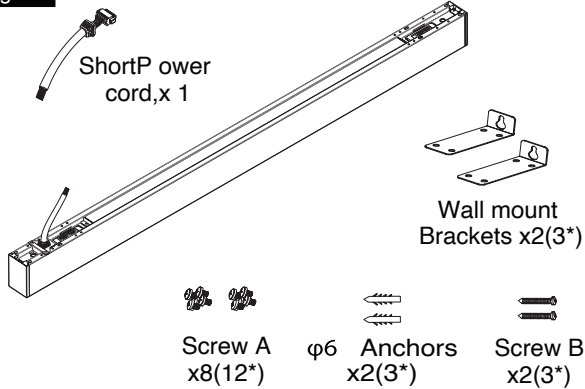
Linear Beam Architectural Installation Instructions



Wall Mount

1. Take out the fixture and accessories from packaging and inspect for any damages. Connect the provided short power cord to the fixture before installation.

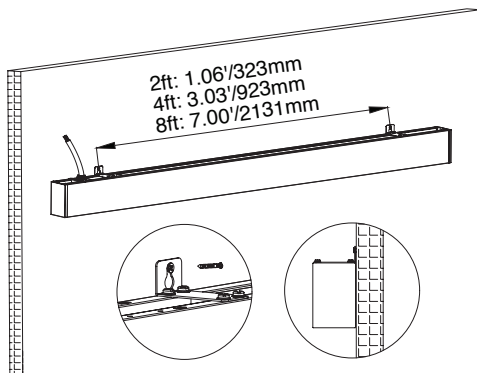
Fig. 22



*for 8FT fixture

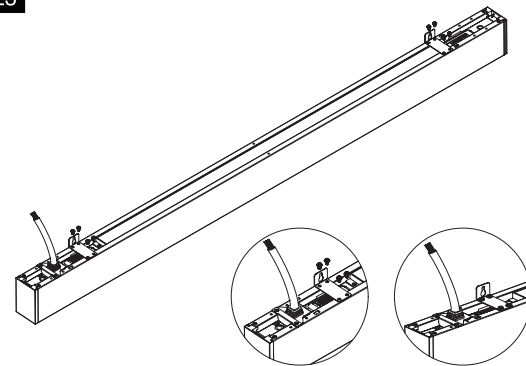
3. Position using the junction box as reference point, drill 6mm holes in the ceiling as shown, then install anchors and hang fixture with provided screws.

Fig. 24



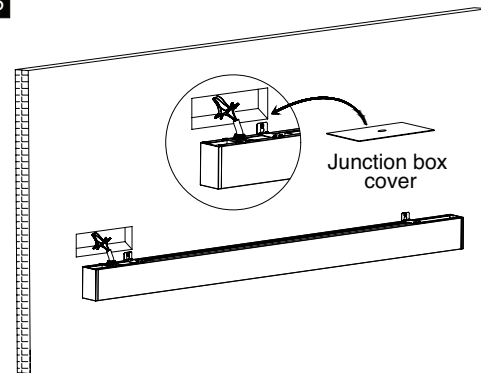
2. Secure the wall mount brackets to the fixture back with screw A.

Fig. 23

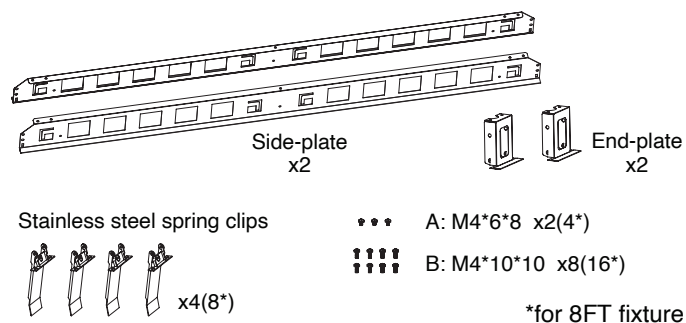
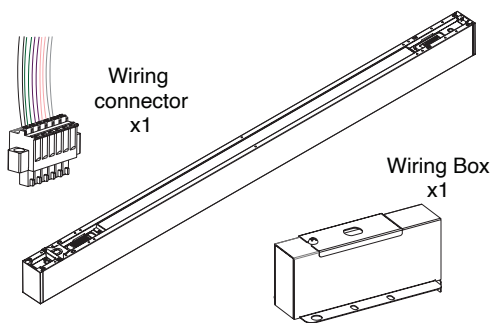


4. Do wiring connection to Main Power as required by code and local regulations. Place all wires and connectors into the junction box. Cover the junction box and clean up fingerprints and stains.

Fig. 25



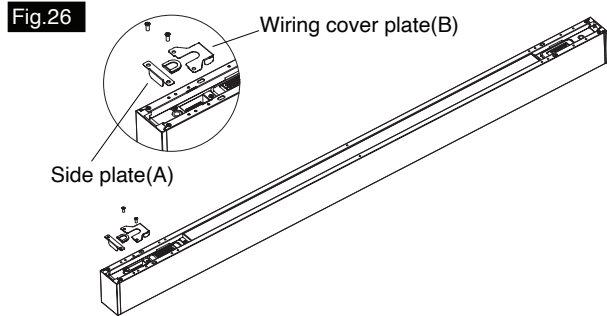
Recessed Mount



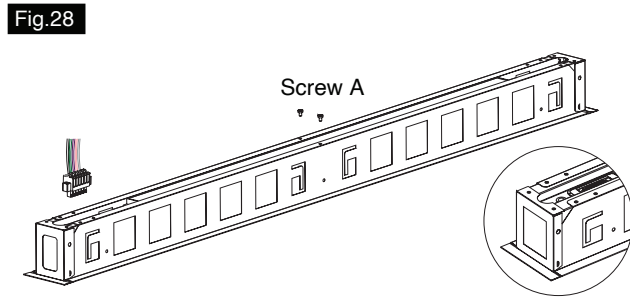
Linear Beam Architectural Installation Instructions



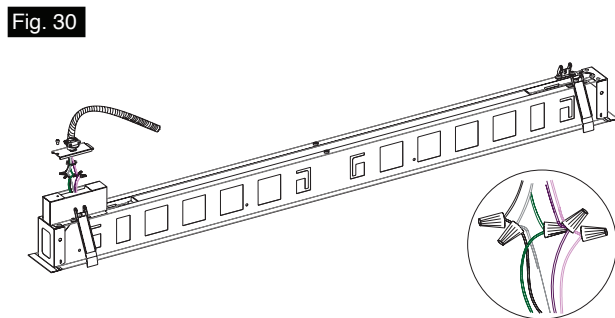
1. Remove original wiring cover Plate A and B.



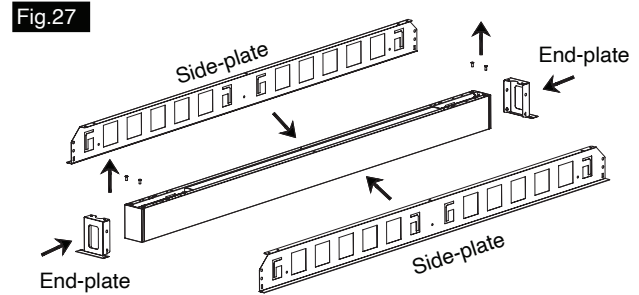
3. Use Screw A to secure the middle of side plates. Install wiring connector to fixture, and secure the connector by tightening the 2 screws on the connector.



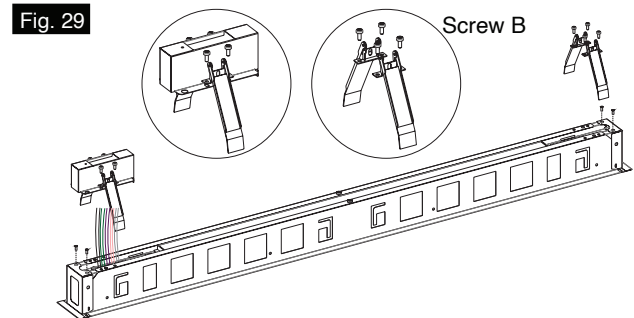
5. Secure the Pipe to the access plate removed from the wiring box and make wiring.



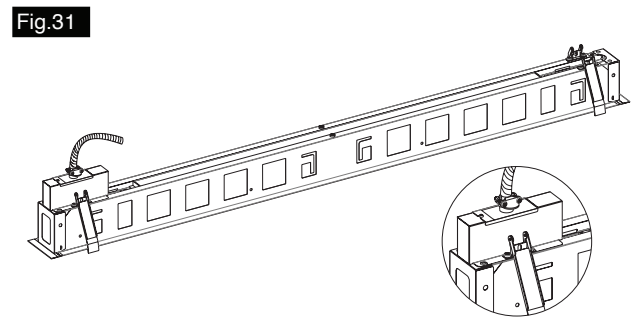
2. Remove the 4 screws as shown, attach Side plates and end-plates to fixture.



4. Attach spring clips and wiring box to side plates. Use Screw B to secure side plates, wiring box and all clips. Use screw removed in Fig. 25 to lock the end-plates.



6. Attach the access plate and Pipe to the wiring box.

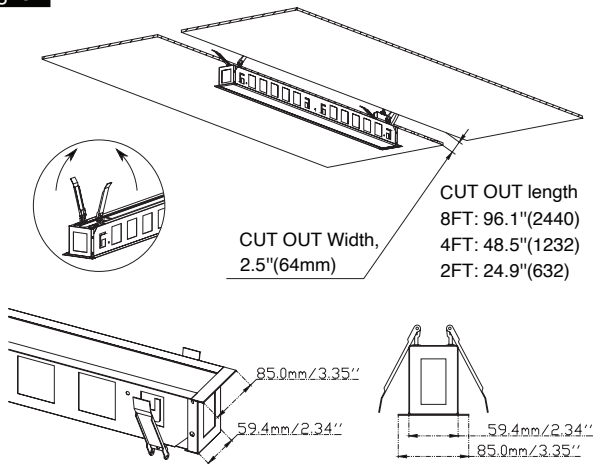


Linear Beam Architectural Installation Instructions



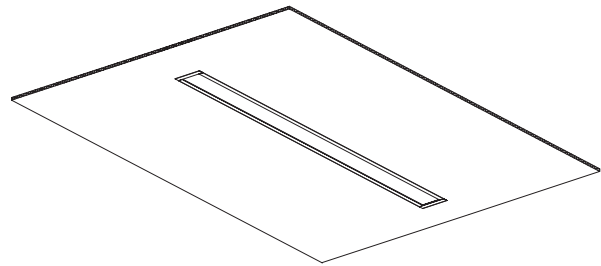
7. Align fixture to pre-cut hole, lift the spring clips and insert fixture to the ceiling.

Fig. 32



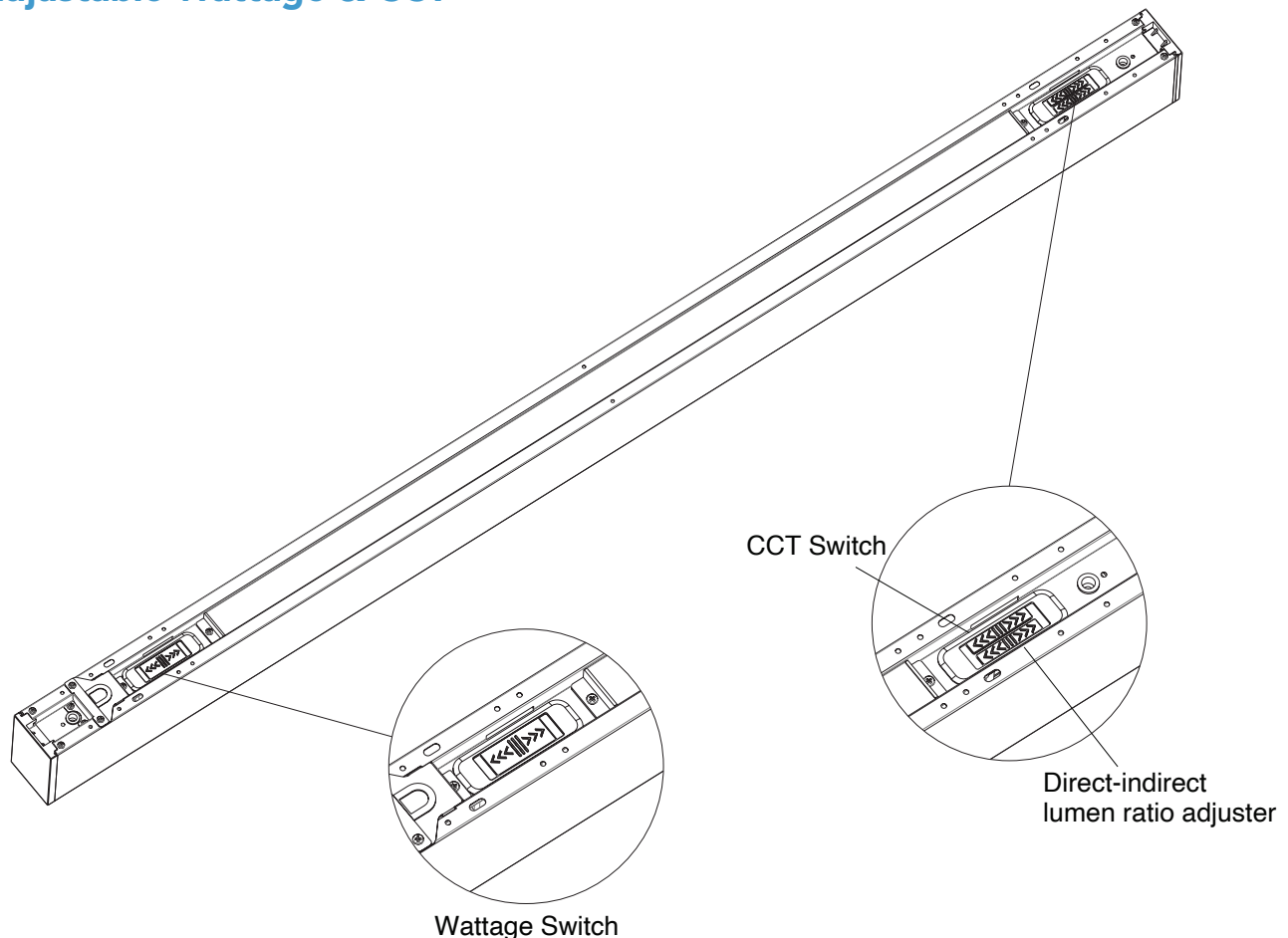
8. Clean up fingerprints and stains. The installation is completed.

Fig. 33



Please isolate two dimming wires (pink and purple) by P2 terminal individually if no need dimming;

Field-Adjustable Wattage & CCT



End users can fine-tune their lighting environment using three dedicated DIP switches, as depicted in the diagram. These switches

Linear Beam Architectural Installation Instructions



provide precise control over three key aspects of the lighting system:

Color Temperature: Users can select from 5 different CCT (Correlated Color Temperature) settings, allowing them to achieve the perfect ambiance for their space.

Lumen Output: The system offers 4 power options, enabling users to adjust the brightness to suit their needs.

Direct-to-Indirect Lumen Ratio: With 3 available settings, users can balance the distribution of light, choosing between more direct illumination and a softer, more diffused effect.

By leveraging these options, users can create a customized lighting setup that meets their specific requirements for color temperature, brightness, and light distribution.

Additional Accessories (AC input sensor BRI810-B-D)

1. Fix the sensor inside the canopy with screws. (Figure 1)
2. Make wiring connection refer to General Wiring Diagram. Use appropriate UL approved wire connectors as required by code. (Figure 2)



Figure 1

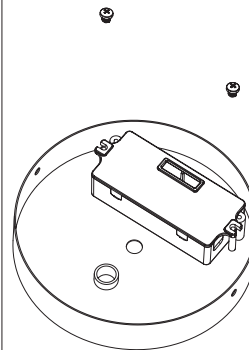
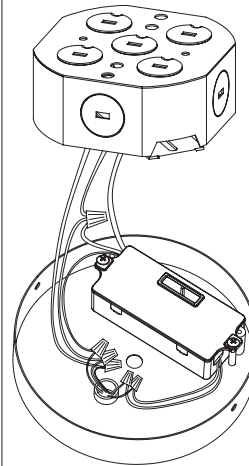


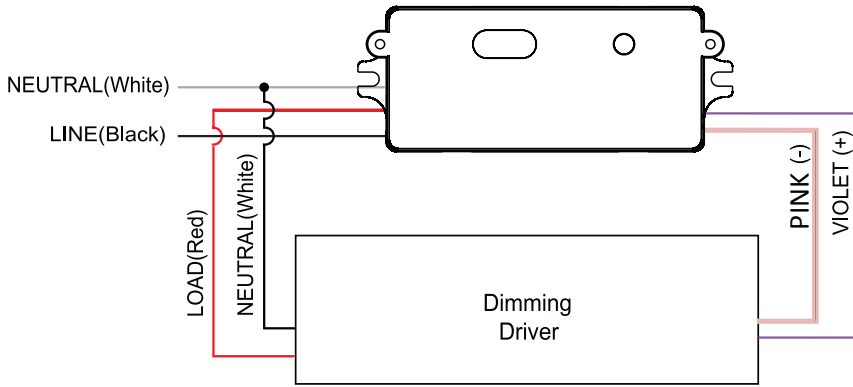
Figure 2



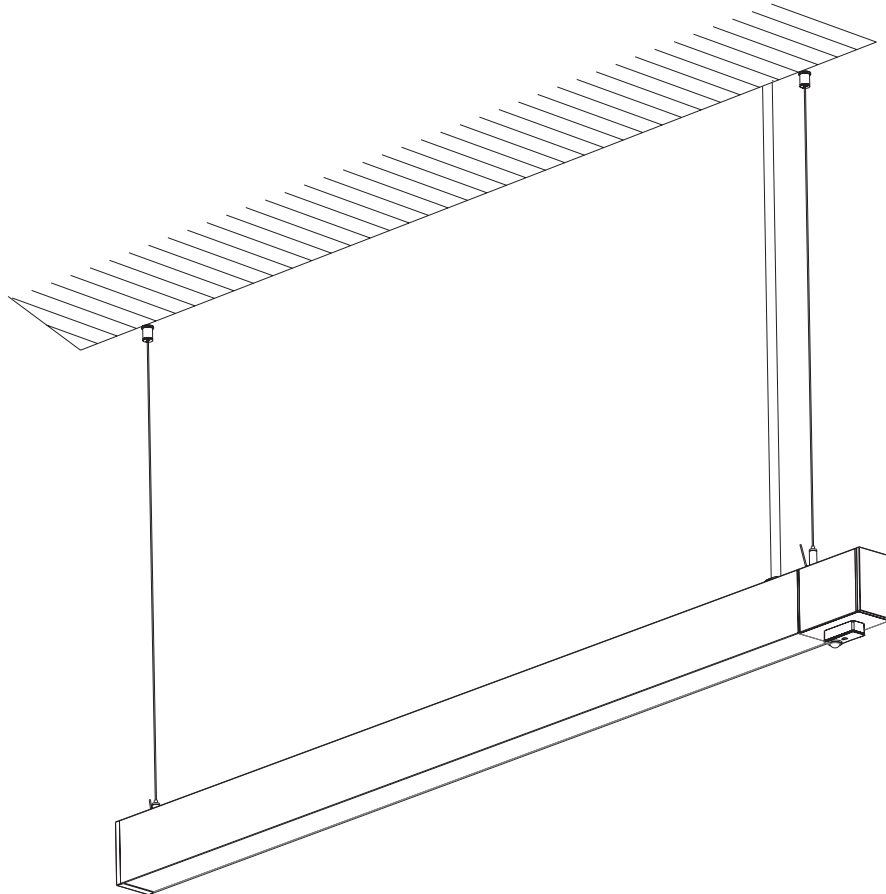
Linear Beam Architectural Installation Instructions



General Wiring Diagram



DC sensor Connection



Linear Beam Architectural Installation Instructions



1. Attach the sensor box to the target fixture.(Fig. A)

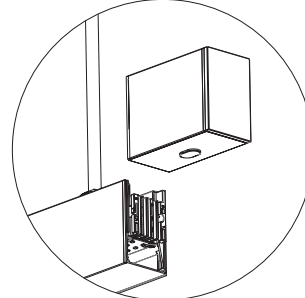


Fig. A

2. Install the connect plate to strengthen the combination.
(Fig. B&C)

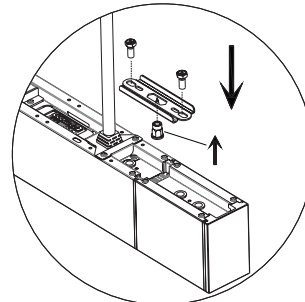


Fig. B

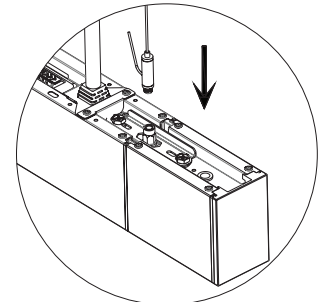


Fig. C

3. Attach the suspension cable to the combination.(Fig. C&D)

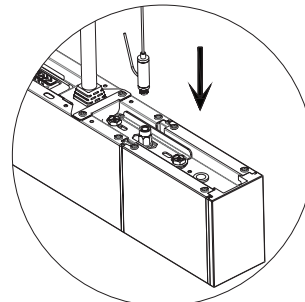


Fig. C

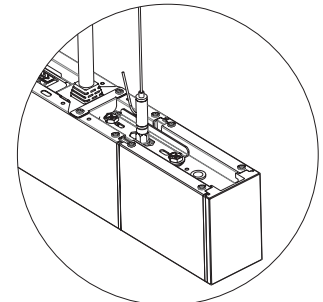


Fig. D

4. Remove the receptacle cover and install the sensor.
(Fig. E&F)

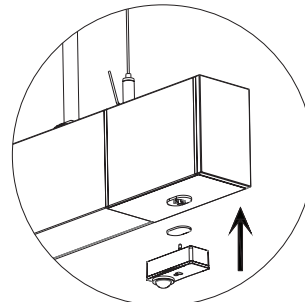


Fig. E

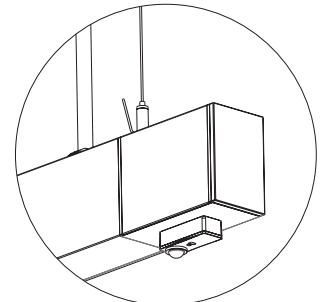


Fig. F