



Modern Classic Facade



Description

The LITELUME™ Modern Classic Facade (LL-MCF) luminaire incorporates a traditional fresh design. Features a die-formed cold rolled steel housing in Black or oil rubbed bronze with frosted glass lens for a subtle approach. Offering light model in 3000k or Field Selectable CCT with high power factor and low THD.

Applications: commercial, residential, hospitality, entertainment and Hallways lighting.

Fixture Information

Size:	15W
Housing:	Die-formed cold rolled steel
Finish:	Protective powder coat
Color:	Standard: Black (BK) Optional: White (WH) Oil Rubbed Bronze (ORB) Gray (GY) Custom (CUS)
Mounting:	Standard: Wall Mount
Lens:	High transmission acrylic
CRI:	90 80
Power Factor:	.98
THD:	<10%
Voltage:	Standard: 120-277V
Sensor:	Standard: None Optional: Photocell
Warranty:	10-Year Limited Warranty

Performance Data

Lumen Output:

*925 lm
990 lm

Lumens Per Watt (typical):

66 lm/W

CCT:

*3000K
3500K
4000K

Lifespan:

60,000 hrs

Ratings & Certificates

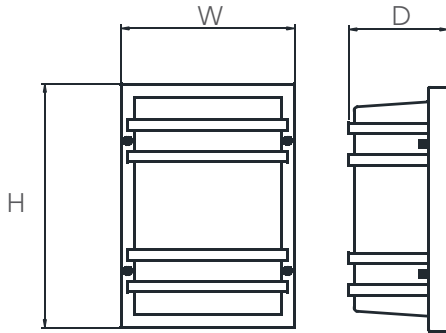
ETL/cETL Listed
*CEC Listed, Meets Title24 JA8 Requirements
Wet Location Listed





Dimension

Item	Width	Depth	Height
LL-MCF	10"	3.8"	14.1"





Project Name	
Catalog #	
Job Type	
Prepared By	
Notes	

Fixture Ordering Information

Part #	Wattage	Lumens	Kelvin	Voltage	Color
*LL-MCF-15-30-UNV-BK	15	925	3000	120-277V	Black
*LL-MCF-15-30-UNV-ORB	15	925	3000	120-277V	Oil Rubbed Bronze
*LL-MCF-15-30-UNV-WH	15	925	3000	120-277V	White
*LL-MCF-15-30-UNV-GY	15	925	3000	120-277V	Gray
*LL-MCF-15-30-UNV-CUS	15	925	3000	120-277V	Custom
LL-MCF-15-30-UNV-BK	15	990	3000K/4000K/5000K	120-277V	Black
LL-MCF-15-30-UNV-ORB	15	990	3000K/4000K/5000K	120-277V	Oil Rubbed Bronze
LL-MCF-15-30-UNV-WH	15	990	3000K/4000K/5000K	120-277V	White
LL-MCF-15-30-UNV-GY	15	990	3000K/4000K/5000K	120-277V	Gray
LL-MCF-15-30-UNV-CUS	15	990	3000K/4000K/5000K	120-277V	Custom

* CEC Listed, Meets Title24 JA8 Requirements

Accessories Ordering Information

Part #	Description
PC	Photocell
EM	Emergency Battery Back Up

* Please contact LITELUME for all Custom Option Requests