



# 120-277V 0-10V Bluetooth PIR Sensor



## Description

The BRI819P-B-D-BLE-GE uses PIR motion detector architecture and passive infrared (PIR) technology for improved detection coverage for high bay applications

## Overview

- PIR sensor.
- Bluetooth® SIG mesh.
- High-End Trim, Zoning, Continuous Bi-level Dimming.
- LED Motion indicator.
- Mounting height up to 40 ft.
- 360° coverage pattern.
- Line Voltage connector.
- Technology Partner GEBC.

## Features and Benefits

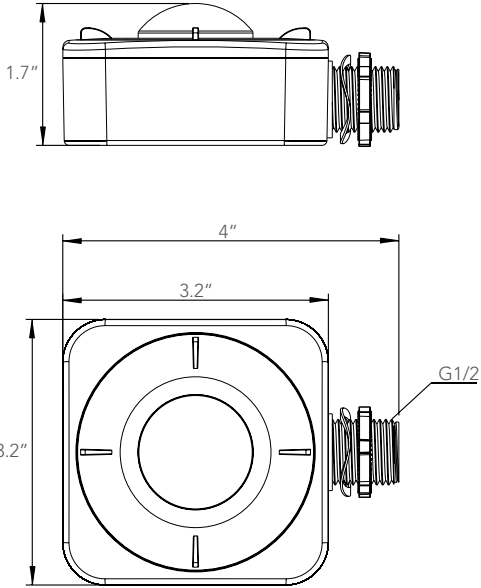
- Bluetooth to 0-10V signal converter Bluetooth® mesh network.
- Built-in 20mA 0-10V signal output.
- Mesh network, which has a much longer control distance, transmits received signals to neighboring devices.
- All devices on 0-10V line are broadcast controlled by mobile application.
- In typical outdoor environment, the typical range for wireless communication is 164ft (50m).
- Actual range is dependent on field installation.
- Available with button reset (press the button on sensor for 5 seconds) and remote reset (press "RESET" + "ON/OFF" buttons in sequence).
- On-board antenna.

## Technical Data

Motion Sensor	Passive infrared sensor
Input Power	120/277VAC 50/60Hz
Control Output	0-10V, max 25mA sinking current
Maximum load	Resistive/Tungsten - 600W @120V Electronic Ballast - 800W @120V/1200W @277V
Detection Angle	360°
Lens L1	Max. detection radius 30ft; Max. mounting height 25ft
Lens L1	Max. detection radius 30ft; Max. mounting height 40ft
Operating Temperature	-40°F to +167°F (-40°C to +75°C)
Max Bluetooth Range	164ft (50m)
Warranty	5 years



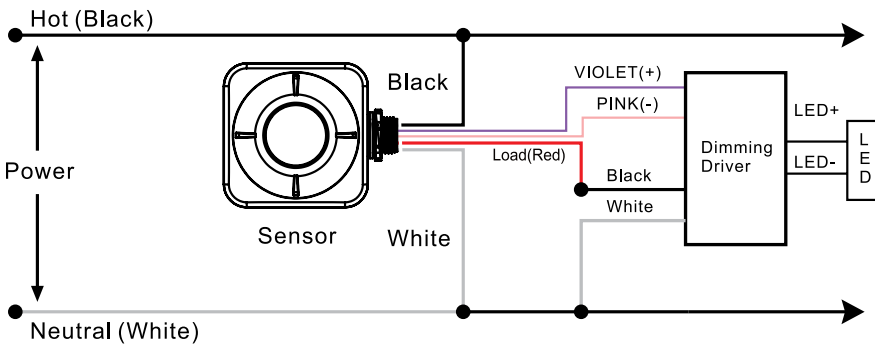
### Dimensions



### Sensor Coverage

L1 Low Bay		
	<p>Top View</p>	<p>Side View</p>
L2 High Bay		
	<p>Top View</p>	<p>Side View</p>

### Wiring Diagram





<b>Project Name</b>	
<b>Catalog #</b>	
<b>Job Type</b>	
<b>Prepared By</b>	
<b>Notes</b>	

## Ordering Information

<b>Part #</b>	<b>Description</b>
BRI819P-B-D-BLE-GE	Homewell GEBC 120-277V 0-10V Bluetooth PIR Sensor