



# Vaportite Elite



## Description

The LITELUME™ LED Vaportite Elite (LL-VTE) is a suspended or surface mounted vapor proof luminaire designed for retrofit or new construction. Applications include parking garage, stairwell lighting, car wash, food processing, commercial and industrial with applicable building and safety codes. Featuring 3 level lumen output and 3 color adjustable CCT, allowing for customized energy savings and comfortability. High Power factor .95 and low THD.

## Fixture Information

Size:	25W/35W/50W/60W/75W/90W
Housing:	High quality ABS
Lens:	Impact resistant polycarbonate
Latches:	Standard: Stainless Steel
Color:	Color: Standard: White
Mounting:	Standard: Surface or Suspended Mount with included V Hooks & Chain
Accessories:	Emergency Battery Back-up
Sensor:	Standard: No sensor Optional: Microwave Motion sensor
Dimming:	0-10V
Operating Temperature:	-22° F to 122° F
Power Factor:	.905
CRI:	80
Voltage:	Standard: 120-277V
Warranty:	10-Year Limited Warranty

## Performance Data

### Lumen Output:

3,600 to 13,700 lm

### Lumens Per Watt (typical):

136 to 167 lm/W

### CCT:

3500K

4000K

5000K

### Lifespan:

Up to 100,000 running hours

### Ratings & Certificates

UL Listed for Wet Locations

IP 66

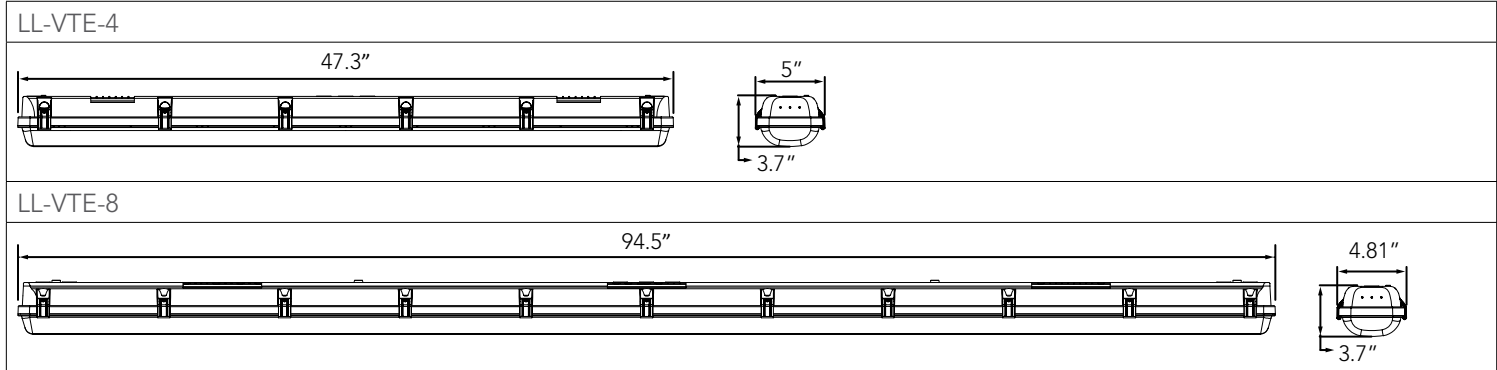
NEMA 4X





### Dimension

Item	Width	Length	Height	Weight
LL-VTE-4	5"	47.3"	3.7"	6.06 lbs
LL-VTE-8	4.81"	94.5"	3.7"	13 lbs



### Performance Data

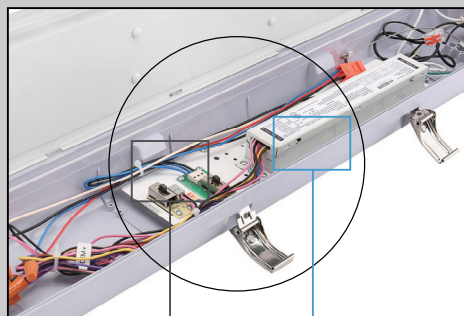
LL-VTE-4-[25][35][50]-3CCT-UNV									
Switch Setting	System Watts	CRI	3500K		4000K		5000K		
			Lumens	LPW	Lumens	LPW	Lumens	LPW	
100%	50W	80	6700 lms	134 lm/W	7100 lms	142 lm/W	6900 lms	138 lm/W	
80%	35W	80	4780 lms	137 lm/W	5100 lms	146 lm/W	4900 lms	140 lm/W	
60%	25W	80	3500 lms	140 lm/W	3800 lms	1502lm/W	3560 lms	142 lm/W	

LL-VTE-8-[60][75][90]-3CCT-UNV									
Switch Setting	System Watts	CRI	3500K		4000K		5000K		
			Lumens	LPW	Lumens	LPW	Lumens	LPW	
100%	90W	80	12200 lms	136 lm/W	12800 lms	142 lm/W	12500 lms	139 lm/W	
80%	75W	80	10300 lms	137 lm/W	10800 lms	144 lm/W	10500 lms	140 lm/W	
60%	60W	80	8300 lms	138 lm/W	8800 lms	147 lm/W	8500 lms	142 lm/W	

### Features

#### CCT AND WATTAGE SELECTABLE

This fixture has the function of adjusting the lumens output and color temperature on-site.



**WATTAGE SELECT**

LV1 LV2 LV3

Each model supports 3 positions wattage regulation: LV1, LV2, LV3



**CCT SELECT**

3500K 4000K 5000K

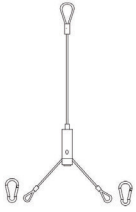


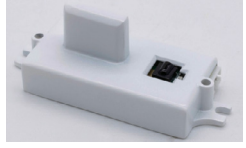
Offer three CCT adjustable (3500K, 4000K, 5000K).



### Accessories (included)

Mounting Brackets	Hardware Bag
	

### Accessories (optional)

Aircraft Cable	Chain	EM8	Microwave Motion Sensor
			



<b>Project Name</b>	
<b>Catalog #</b>	
<b>Job Type</b>	
<b>Prepared By</b>	
<b>Notes</b>	

## Fixture Ordering Information

Part #	Wattage	Lumens	CCT	Voltage
LL-VTE-4-[25][35][50]-3CCT-UNV	25W/35W/50W	3850/5200/7200	3000K 4000K 5000K	120-277
LL-VTE-8-[60][75][90]-3CCT-UNV	60W/75W/90W	10000/12000/13700	3000K 4000K 5000K	120-277

## Accessories Ordering Information

Part #	Description
HD027VCR	Haisen 10.5 - 15V DC 0-10V Microwave Motion Sensor
HD06R	Haisen Universal Smart Remote Control
ANT-3C	Sharkward 10-14V DC 0-10V Microwave Motion Sensor
RC100	Remote Control 100
ANT-7D-BLE-SR	SHARKWARD SILVAIR 10-14V DC 0-10V Bluetooth Microwave Sensor
ANT-7D-BLE-GE	Homewell GEBC 10-14V DC 0-10V Bluetooth Microwave Sensor
BRI-WS204-GE	Homewell GEBC 4-Button Wireless Wall Switch, 120VAC
AC60	60" Aircraft Cable Set
EM8	Emergency Battery Back Up, 8W, 90 minutes

## Buy American Act Compliant Ordering Information

Part #	Description
BAA-VTE	Buy American Act Compliant For Vaportite Elite

\* Please contact LITELUME for all Custom Option Requests