



Low Profile Wet Location Exit and Emergency Combo



LL-WLCEM

Low Profile Wet Location Exit and Emergency Combo

Low-Profile wet location Exit and Emergency combo unit, 2.5" deep. Available in white, black and grey. Stocked in selectable Red/Green for convenience. Long lasting, efficient, ultra bright white LED lamp heads. 1.0W (1 LEDs x 1.0 watt) per head. Adjustable LED lamp heads provide up to 18-ft center-to center spacing with 3-ft path of egress at 7.5-ft mounting height.



PRODUCT INFORMATION

Illumination	Housing
<ul style="list-style-type: none"> • Long lasting, efficient, ultra bright white LED lamp heads. • 1.0W (1 LEDs x 1.0 watt) per head. • Adjustable LED lamp heads provide up to 18-ft center-to-center spacing with 3-ft path of egress at 7.5-ft mounting height. • Long-life, energy efficient Red or Green LED EXIT sign illumination. 	<ul style="list-style-type: none"> • 5VA flame retardant, UV stabilized polycarbonate in white, black or gray finish. • High-impact resistant, UV stabilized polycarbonate clear lens. • Corrosion resistant enclosure with engineering grade silicone gasket. • Knockouts provided for conduit feed applications. • EZ snap-out Chevron directional indicators.
Electrical	Mounting
<ul style="list-style-type: none"> • Dual 120/277 voltage. • Unique LED indicator light alerts occupant on battery condition (Red-normal, Off-check battery). • 3.6V long life, maintenance free, rechargeable NiCd battery. • Internal solid-state transfer switch automatically connects the internal battery to LED board and lampheads for minimum 90-minute emergency illumination. • Fully automatic solid state, two rate charger initiates battery charging to recharge a discharged battery in 24 hours. • Charge rate/power "ON" LED indicator light and push-to-test switch for mandated code compliance testing 	<ul style="list-style-type: none"> • Polycarbonate mounting canopy included for top or end mount. • Universal K/O pattern on back plate for wall mount. <h4 data-bbox="1127 1360 1214 1388">Options</h4> <ul style="list-style-type: none"> • CW: Optional high capacity battery for extreme cold temperature applications (-20°C – 50°C). • RC: Remote capacity of up to 2.0 watts. • TP: Tamper-proof hardware helps prevent unauthorized access to the unit.

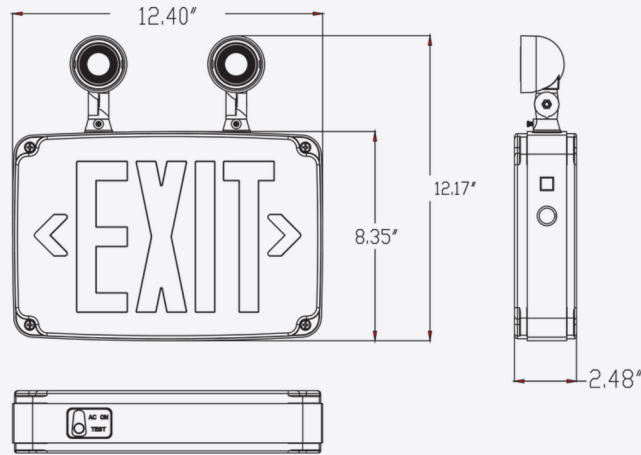
Warranty/Listing

- Five year warranty on all electronics and housing. Battery prorated for five years.
- Meets UL924, NFPA 101 Life Safety Code, NEC, OSHA, Local and State Codes.
- UL listed for wet locations (0°C – 50°C).
- Certified to CEC under Title 20 Regulations.



Low Profile Wet Location Exit and Emergency Combo

DIMENSIONS



ELECTRICAL INFORMATION

Model	Input Watts (W)		Input Amps (A)	
	LL-WLCEM	120V	277V	120V
1.1		1.1	0.12	0.12

REMOTE LAMP COMPATIBILITY

Model	Battery	Remote Capacity	Compatible Remote Head Family	
			LL-RHLED	LL-MRHLED
LL-WLCEM-RC	3.6V	2.0W	X	X



Low Profile Wet Location Exit and Emergency Combo

PROJECT NAME	
CATALOG #	
JOB TYPE	
PREPARED BY	
NOTES	

ORDERING GUIDE

Brand	Model	No. of Faces
LL LITELUME	WLCEM Low Profile Wet Location Exit and Emergency Combo	1 Single Face 2 Double Face (Blank) Universal Single/Double Face
Letter Color	Housing Color	Options
RG Red/Green (Field-Selectable)	WH White BK Black GY Gray (with white faceplate)	CW Cold Weather * RC Remote Capacity * TP Tamper Proof Screws <i>* Not Available Together</i>