



LL-BL4ICLED-NND



LL-BL4ICLED-RND

Description

4" LED Dedicated Cans

Features:

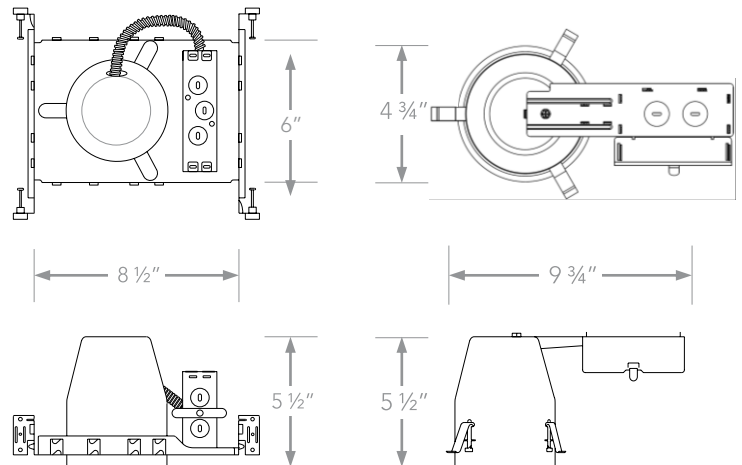
- Dedicated housings for most 4" LED trims
- Suitable for new construction or remodel applications.
- Galvanized steel construction.
- New construction model comes standard with nail for easy install.
- Bar hangers for use with new construction models are adjustable from 13.6" to 25".
- Remodel cans install into existing material with no above ceiling access required.
- Through branch wiring with maximum 6 No. AWG conductors.
- Remodel cans come standard with four torsion clips to secure housing – accommodates 0.5" and 0.6" ceilings.
- Features seven 1/2" NPT knockouts.
- 2-pin quick connector.
- This device is not intended for use with emergency exits.

Warranty/Listing:

- cULus listed for damp locations
- cULus listed for through-branch wiring.
- Title 24 compliant
- Certified under ASTM E283 for airtight construction (new construction models only).
- 10-year warranty of all electronics and housing.



Dimensions:





Project Name	
Catalog #	
Job Type	
Prepared By	
Notes	

Cans Ordering Information

Model	Description
LL-BL4ICLEL-NND	4"IC LED Dedicated Can For New Construction Applications
LL-BL4ICLEL-RND	4"IC LED Dedicated Can For Remodel Applications