



Wallpack-Adjustable



Description

The LITELUME™ Wallpack (LL-WPA) is a full cutoff LED lighting fixture that features a durable, die-cast aluminum profile and 20° head tilt.

Applications: Garages, Hallways, Perimeter lighting and Walkways.

Fixture Information

Size:	20W/40W/65W/80W
Housing:	Die-cast Aluminum Housing
Finish:	Protective powdercoat
Color:	Standard: Bronze Custom Options: Black (BK) White (WH) Grey (GY)
Mounting:	Standard: Wall Mount
Lens:	Glass
CRI:	80
Surge Protector:	Optional: 10 kVA
Voltage:	Standard: 120-277V
Sensor:	Standard: No sensor Custom: Button Photocell (120-277V)
Warranty:	10-Year Limited Warranty

Performance Data

Lumen Output:

2,522 to 10,500 lm

Lumens Per Watt (typical):

126 to 135 lm/W

CCT:

4000K

5000K

Distribution

Type III

Lifespan:

Up to 100,000 running hours

Ratings & Certificates

UL Listed For Wet Location



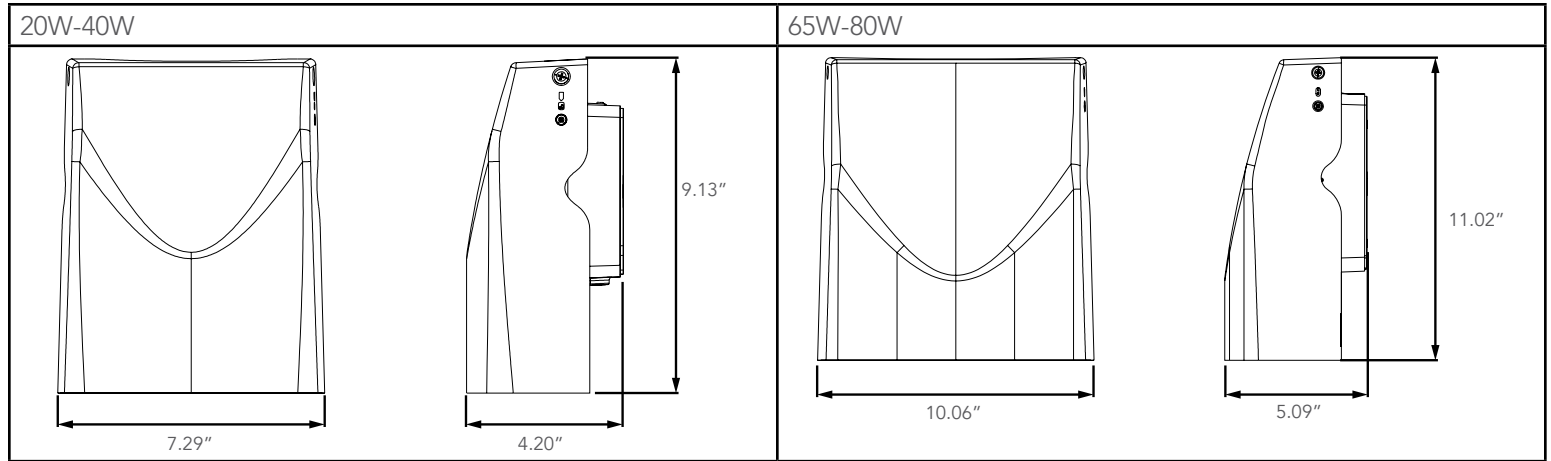
QuickShip Ordering Information

Part #
LL-WPA-20-50-UNV-BZ
LL-WPA-20-40-UNV-BZ
LL-WPA-40-50-UNV-BZ
LL-WPA-40-40-UNV-BZ
LL-WPA-65-50-UNV-BZ
LL-WPA-65-40-UNV-BZ
LL-WPA-80-50-UNV-BZ
LL-WPA-80-40-UNV-BZ

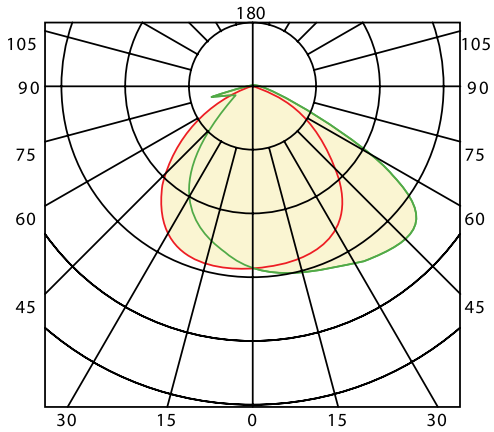


Dimension

Item	Width	Length	Height
20W-40W	4.20"	7.29"	9.13"
65W-80W	7.29"	10.06"	11.02"



Photometrics





Project Name	
Catalog #	
Job Type	
Prepared By	
Notes	

Fixture Ordering Information

Part #	Wattage	Lumens	Kelvin	Voltage	Type Distribution
LL-WPA-20-50-UNV-BZ	20	2600	5000	120-277	Type III
LL-WPA-20-40-UNV-BZ	20	2522	4000	120-277	Type III
LL-WPA-40-50-UNV-BZ	40	5200	5000	120-277	Type III
LL-WPA-40-40-UNV-BZ	40	5044	4000	120-277	Type III
LL-WPA-65-50-UNV-BZ	65	8800	5000	120-277	Type III
LL-WPA-65-40-UNV-BZ	65	8536	4000	120-277	Type III
LL-WPA-80-50-UNV-BZ	80	10500	5000	120-277	Type III
LL-WPA-80-40-UNV-BZ	80	10185	4000	120-277	Type III

QuickShip Ordering Information

Part #
LL-WPA-20-50-UNV-BZ
LL-WPA-20-40-UNV-BZ
LL-WPA-40-50-UNV-BZ
LL-WPA-40-40-UNV-BZ
LL-WPA-65-50-UNV-BZ
LL-WPA-65-40-UNV-BZ
LL-WPA-80-50-UNV-BZ
LL-WPA-80-40-UNV-BZ

Accessories Ordering Information

Part #	Description
PC	Button Photocell 120-277V

* Please contact LITELUME for all Custom Option Requests

Buy American Act Compliant Ordering Information

Part #	Description
BAA-WPA	Buy American Act Compliant for Wallpack Adjustable

* Please contact LITELUME for all Custom Option Requests