



# Architectural Enclosed Post Top Small



## Description

The Architectural Enclosed Post Top Small ( LL-AEPTS ) is available in a Type V distribution with two lens options designed to replace HID lighting systems up to 250w MH or HPS. The fixture mounts to a pole top tenon. Typical area lighting applications include parking areas, walkways, and street lighting applications. Mounting heights of 12 to 20 feet can be used based on light level and uniformity requirements.

## Fixture Information

Size:	37W/65W/84W
Housing:	Die-cast Aluminum Housing
Finish:	Protective powdercoat
Color:	Standard: Bronze (BZ) Black (BK) Custom Options Available
Mounting:	"P3" 2-7/8 O.D. x 3" Tenons
Lens:	<b>Standard:</b> Prismatic Clear UV-Stabilized Polycarbonate <b>Optional:</b> SoftLED LumaLens Opal UV-Stabilized Polycarbonate Vandal-Resistant Outer Conical Lens
CRI:	80
Temperature:	-40°C to +50°C
Voltage:	Standard: 120-277V Custom Option: 347-480V
Power Factor:	>.90
Surge Protector:	6 kVA
Sensor:	Standard: No Sensor Custom: Microwave Sensor Twist Lock Photocell and Receptacle (120-277V) and Photocell (120-277V)
Warranty:	10-Year Limited Warranty

## Performance Data

### Lumen Output:

2,856 to 6,921 lm

### Lumens Per Watt (typical):

63 to 81 lm/W

### CCT:

3000K  
4000K  
5000K

### Distribution

Type V

### Lifespan:

473,000 hrs @ 25°C

### Ratings & Certificates

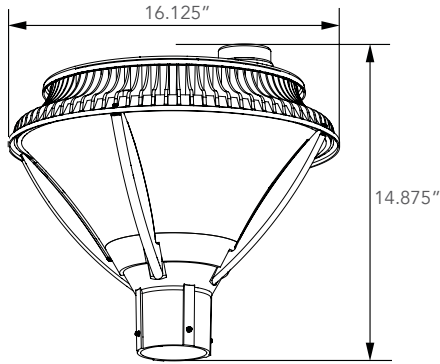
CSA: Listed for Wet Locations, ANSI/UL 1598, 8750;  
IP66 Sealed LED Compartment. ADA Compliant.  
10 year Warranty. BAA Compliant



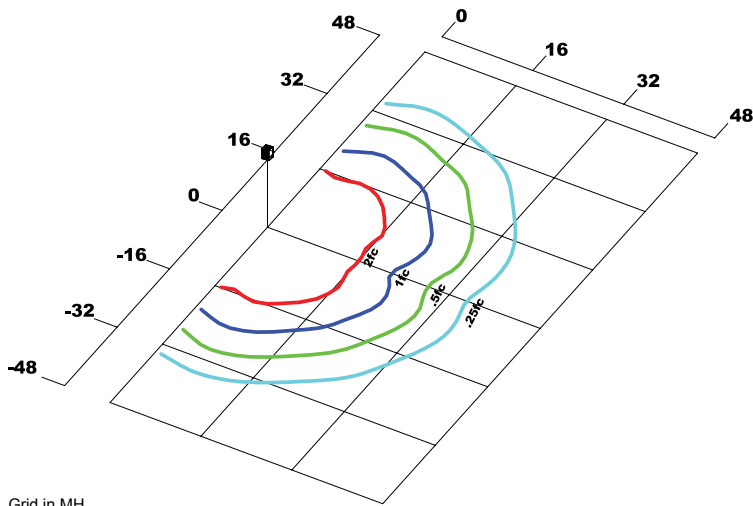


### Dimension

Item	Diameter	Height	Weight
37W/65W/84W	16.125"	14.875"	14 lb



### Photometrics



Grid in MH  
MH=16 Feet



<b>Project Name</b>	
<b>Catalog #</b>	
<b>Job Type</b>	
<b>Prepared By</b>	
<b>Notes</b>	

## Fixture Ordering Information

Part #	Wattage	Lumens	Kelvin	Voltage	Type Distribution	Color
LL-AEPTS-37-50-UNV-BZ	37	3602	5000	120-277	Type V	Bronze
LL-AEPTS-37-40-UNV-BZ	37	2987	4000	120-277	Type V	Bronze
LL-AEPTS-37-30-UNV-BZ	37	2856	3000	120-277	Type V	Bronze
LL-AEPTS-65-50-UNV-BZ	65	5265	5000	120-277	Type V	Bronze
LL-AEPTS-65-40-UNV-BZ	65	5135	4000	120-277	Type V	Bronze
LL-AEPTS-84-50-UNV-BZ	84	6951	5000	120-277	Type V	Bronze
LL-AEPTS-84-40-UNV-BZ	84	6781	4000	120-277	Type V	Bronze
LL-AEPTS-84-30-UNV-BZ	84	6483	3000	120-277	Type V	Bronze
LL-AEPTS-37-50-UNV-BK	37	3602	5000	120-277	Type V	Black
LL-AEPTS-37-40-UNV-BK	37	2987	4000	120-277	Type V	Black
LL-AEPTS-37-30-UNV-BK	37	2856	3000	120-277	Type V	Black
LL-AEPTS-65-50-UNV-BK	65	5265	5000	120-277	Type V	Black
LL-AEPTS-65-40-UNV-BK	65	5135	4000	120-277	Type V	Black
LL-AEPTS-84-50-UNV-BK	84	6951	5000	120-277	Type V	Black
LL-AEPTS-84-40-UNV-BK	84	6781	4000	120-277	Type V	Black
LL-AEPTS-84-30-UNV-BK	84	6483	3000	120-277	Type V	Black

## Accessories Ordering Information

Part #	Description
L	SoftLED LumaLens Opal UV-Stabilized Polycarbonate Array Lens*
SF	Single Fuse <b>*120-277V Only*</b>
DF	Double Fuse <b>*120-277V Only*</b>
SP	Surge Protection 120-277V, 10KA
SP2	Surge Protection 120-277V, 20KA
SPH	Surge Protection 480V, 10KA
R3	3-Pin Twist Lock Photocell Receptacle
R5	5-Pin Twist Lock Photocell Receptacle
R7	7-Pin ANSI C136.41—2013 Twist Lock Photocell Receptacle
S2	Microwave Sensor with Dimming for Mounting Heights of 8' to 40'. <b>*120-277V Only*</b>
S4	Microwave On/Off Motion Sensor for Mounting Heights of 8' to 19'. <b>*120-277V Only*</b>
RTAQ	Retrofit Tenon Adapter, Diecast With Powder Coat Finish, Hardware Included, Converts A 2 - 3/8" X 4" Pole Tenon To A 2 - 7/8" X 3" Tenon Black
SUB "UNV" WITH "480"	480 Volt

\* Please contact LITELUME for all Custom Option Requests