

Wallpack Glass Installation Instructions

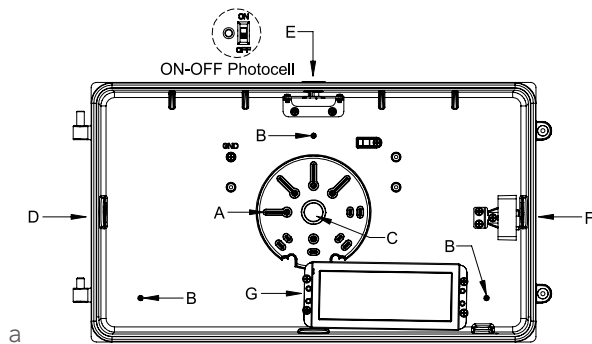


⚠ Warning

1. To avoid electric shock, disconnect power at source prior to installation.
2. The installation should be performed by qualified electricians or lighting technicians.
3. Before conducting any installation, maintenance, or removal, disable all power to the luminaries and wait until the fixture cool down.
4. Do not touch the fixture while it is in service.
5. If there is any problem with the fixture, DO turn off power and DO NOT attempt repair unless you are a qualified technician or the customer service member.

1. Junction Box Mounting

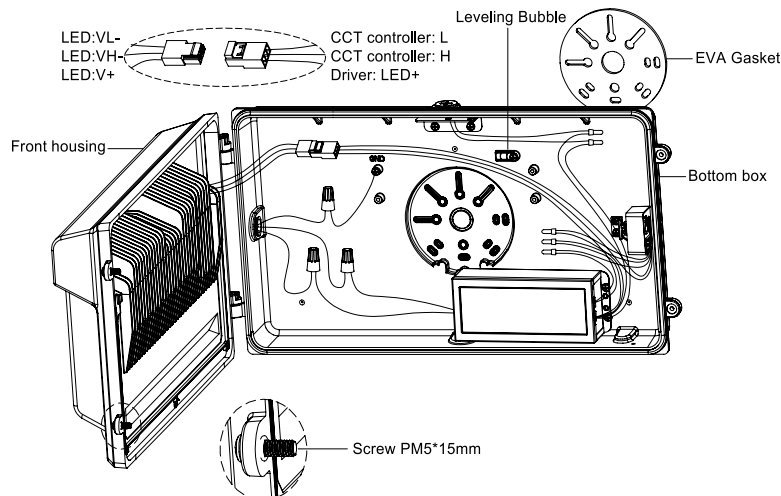
1. Loosen screws and remove the front housing set carefully from the bottom box.
(Angle between front housing and bottom box varies from 0 degree to 90 degree. Push up to take down the front housing.)
2. Knuckle out the 1/2" hole in center (C) for wiring, the fixture supports standard 3 1/4" and 4" junction box.
3. Attach the back plate on the wall, use the supplied gaskets for a weather tight seal.
4. Finish wiring (Black for Line, White for Neutral and Yellow Green for Ground).
5. Replace the lens set on the hinges, make connections and close the lens set then tighten the screws.



- A - Standard 3 1/4" and 4" junction box blind holes
- B - 5/16" dia. Screw hole
- C - Center hole outlet blind holes (tapped for junction box installation)
- D - 1/2" NPS tapped holes (Plug removed for conduit installation)
- E - 1/2" NPS tapped holes (on-off photocell)
- F - 1/2" NPS tapped holes (Power and CCT Adjustment Controller)
- G - Power driver (location subject to change without notice)

2. Conduit Mounting

1. Loosen screws and remove the front case set carefully from the bottom box.
(Angle between Front housing and bottom box varies from 0 degree to 45 degree. Push up to take down the front housing.)
2. Knuckle out the 1/2" hole in sides of the fixture (Or remove the 1/2" plug in the top of fixture) where you intend to feed conduit.
3. Drilling out the holes (B) to secure it on the wall with choosing proper screws.
4. Finish wiring (Black for Line, White for Neutral and Yellow Green for Ground).
5. Replace the lens set on the hinges, make connections and close the lens set then tighten the screws.

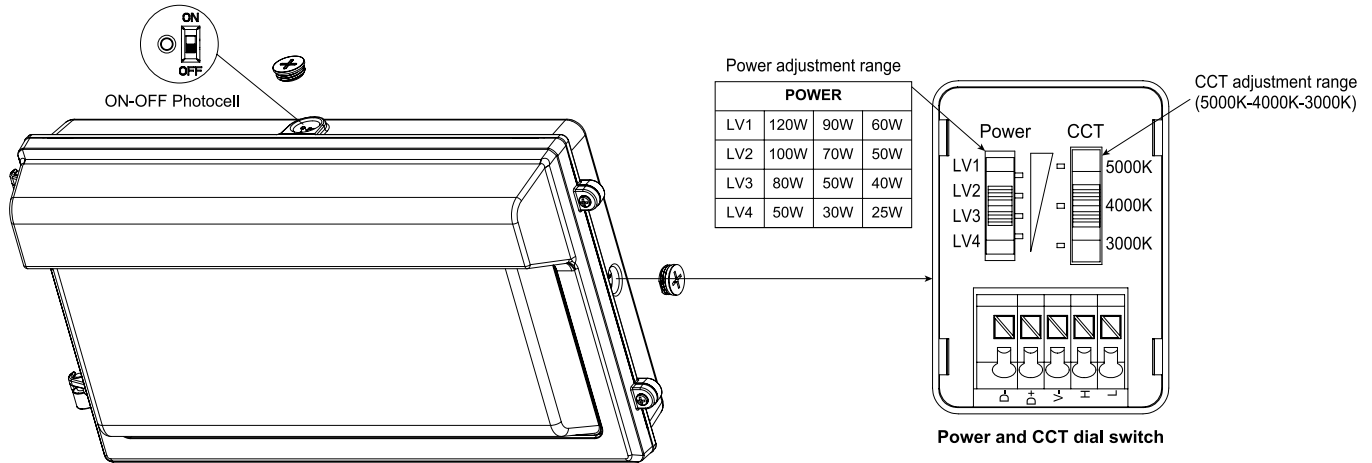


Wallpack Glass Installation Instructions



Power and CCT selectable version (Optional)

1. Remove the 1/2" screw plug on the side of the fixture.
2. Select Power(White) and CCT(Black) by sliding the respective switch to the desired value according to the figure.
3. Replace the 1/2" screw plug and tighten with a flat head screwdriver.
4. Enable or disable the photocell with ON/OFF switch.



Wiring Diagram

For dimming version, please check wiring diagram below.

WITHOUT EMERGENCY BATTERY

LED FIXTURES	Black	Line
	White	Neutral
	Green/Yellow Green	Ground
	Purple	DIM+
	Pink	DIM-

EMERGENCY BATTERY

LED FIXTURES	Red	AC line(24/7)
	Black	AC line switch
	White	Neutral
	Green/Yellow Green	Ground
	Purple	DIM+
	Pink	DIM-

Troubleshooting

1. Check that the line voltage at the fixture is correct. Refer to wiring diagram above.
2. Is the fixture grounded properly?
3. Be sure the photocell, if used, is functioning properly.