

Strip Elite Installation Instructions



⚠ Warning

PLEASE READ ALL INSTRUCTIONS BEFORE ATTEMPTING INSTALLATION

This product must be installed in accordance with the applicable installation codes by a person familiar with the construction and operation of the product and the hazards involved. This product must be wired in accordance with the national electric code and all applicable local codes.

- To prevent personal injury or product damage only licensed electricians should provide all installation services.
- To avoid electric shock or component damage disconnect power before attempting installation or servicing.
- Use caution when handling this product during or after operation as it may become hot and cause burns. Disconnect product and allow cooling prior to servicing.
- Any alteration or modification of this product is expressly forbidden as it may cause serious personal injury, death, property damage and/or product malfunction.
- To prevent product malfunction and / or electrical shock this product must be properly grounded.
- This luminaire is designed to operate in ambient temperatures ranging from -13°F to +104°F (-25°C to +40°C).
- This luminaire is designed to operate in dry or damp locations
- Min 90°C supply conductors
- To prevent wiring damage or abrasion, do not expose wiring to edges of sheet metal or other sharp objects.

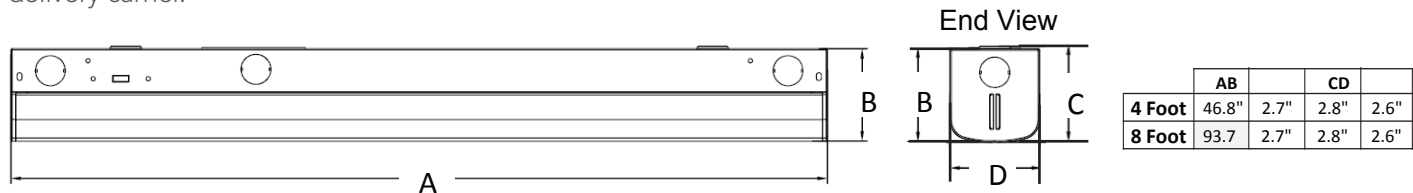
NOTE

This device complies with Part 15 of the FCC rules. Operation is subject to the following two conditions:(1) this device may not cause harmful interference, and (2) this device must accept any interference received, including interference that may cause undesired operation.

Safety precautions

IMPORTANT: READ CAREFULLY BEFORE INSTALLING THE FIXTURE. RETAIN FOR FUTURE REFERENCE.

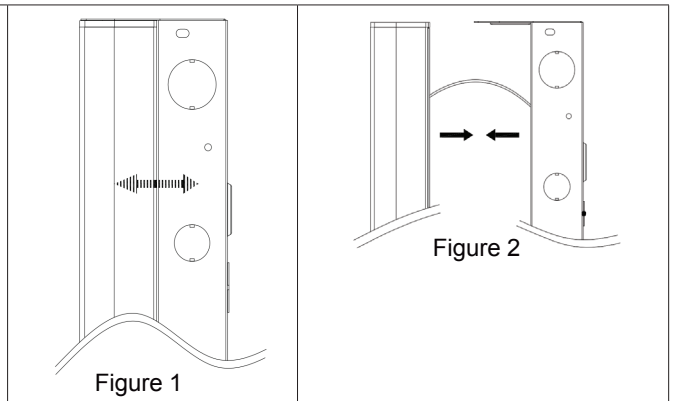
GENERAL: Upon receipt of the fixture, thoroughly inspect for any freight damage which should be brought to the attention of the delivery carrier.



Installation

1. Opening Fixture

- Turn off circuit before installation or servicing.
- Separate lens module from fixture body by firmly grasping the lens with one hand about 6" from one end of the fixture and grasping the fixture body with the other hand. Pull the lens module straight away from the body (Figure 1). Note: The luminaire is shipped with the lens module secured to the fixture body using safety cables (Figure 2).



Strip Elite Installation Instructions



2. For Surface Mounting

- If desired, attach supplied split junction box cover plates to the back of the fixture body (Figure 3).
- Use the fixture body as a template to mark the desired locations for anchors to mount the fixture to the surface and install the appropriate anchors (supplied by others)
- Align fixture housing to installed anchors and use screws secure the fixture, ensuring that supply wires are pulled through.
- Make electrical connections per electrical code.

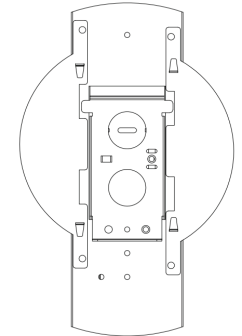


Figure 3

3. For Suspension Mounting (by chain)

- Attach chain (supplied by others) to the structure at the desired location.
- Attach chain to supplied V-hanger (Figure 4).
- Attach V-hanger to the appropriate holes in the back of the fixture (Figure 5).

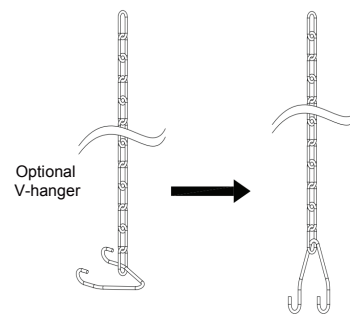


Figure 4

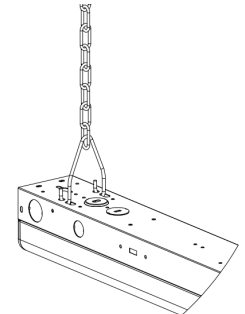


Figure 5

3. For Suspension Mounting (by cable using optional cable mount kit)

- Attach the looped end of the long cable to the structure at the desired location.
- Attach the clips on each end of the short cable to the appropriate holes in the back of the fixture (Figure 6).
- Attach the long cable to the connection on the short cable by partially unscrewing the cap of the connector and feeding the cable through the top hole and out the side hole (Figure 7).

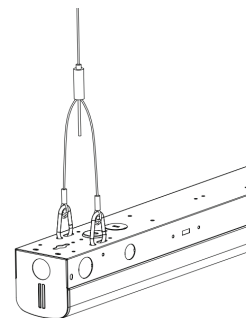


Figure 6

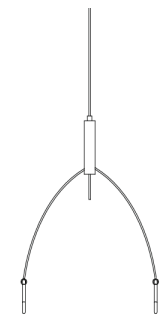


Figure 7

3. For Suspension Mounting (for row mounting)

- If row mounting is desired, remove knockouts on the ends of abutting fixtures and attach optional joiner bracket to the top of abutting fixtures (Figure 8).
- Pull supply wires into luminaire housing.
- Make electrical connection per electrical code.

Optional
Joiner
Bracket

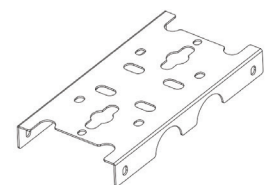


Figure 8

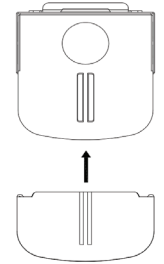
Strip Elite Installation Instructions



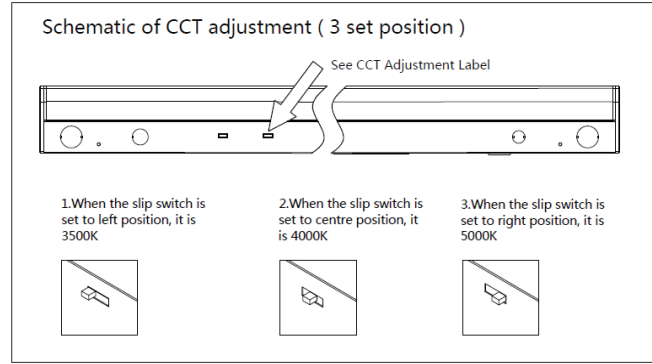
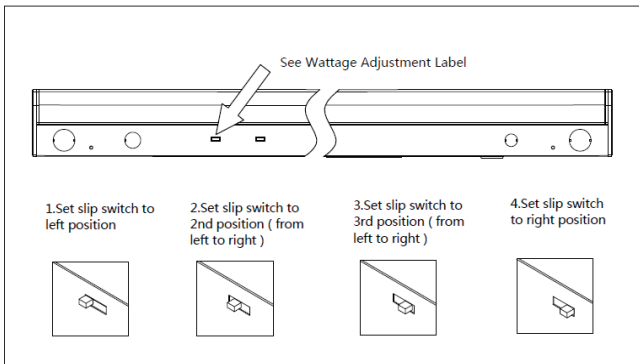
4. Reinstall the lens module

- Line up the grooves in the end of the lens module with the grooves in the end of the fixture body (Figure 9).
- Ensure that all wiring is inside the fixture body and push on the lens module above the spring connections to securely snap the lens module in place. For suspension mounted fixtures, support the fixture body while snapping the lens module in place.

(Figure9).

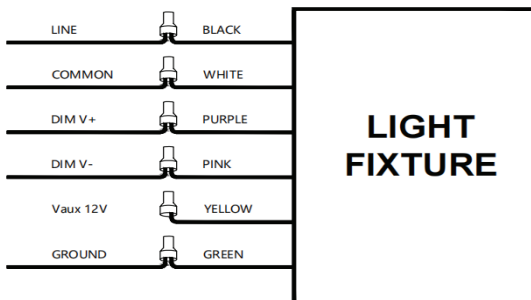


5. Wattage and CCT Selectable



ADDING A WALL DIMMER (Provided by others):

This fixture is compatible with 0-10V output dimming controls (please reference Dimmable Compatibility List LEDLUM012). To get to 0% light output (OFF) it is necessary to switch the input power to the LED drivers. Connect wall dimmer to dimming wires on driver. (See Wiring Diagram)



ADDING A WALL DIMMER (Provided by others):

- To maintain the fixture efficacy occasional cleaning of the outer lens surface may be needed.
- Use a mild soap or detergent, which is essentially neutral pH (pH approximately 6 to 8), nonabrasive, and which contains no chlorinated or aromatic hydrocarbons.
- Rinse with clean, cold water and wipe dry.
- Wash thoroughly, using a soft cloth.

TROUBLE SHOOTING CHECKLIST: If luminaire does not work

- Check your power source.
- Check electrical connections.