



# Post Top Round Premium



## Description

The Post Top Round Premium (LL-PTRP) combines style and performance with its seamless appearance. Featuring a die-cast aluminum housing with outstanding corrosion protection. Round and smooth in design with soft light. Suitable for mounting heights of 8-25' makes this an excellent choice for pathway, walkway, municipality and general lighting applications.

## Fixture Information

Size:	45W/60W/80W/100W/125W/150W
Housing:	Die-cast aluminum body
Lens:	Precision injection-molded, UV polycarbonate Optics Lens
Finish:	UV Stabilized Powder coated finish
Color:	Standard: Bronze Custom options available
Mounting:	Tenon fits 2 3/8" - 3" standard OD
Starting Temp:	-40°C
CRI:	70+
THD:	<20%
Power Factor:	.90
Surge Protection:	Standard: 10Kv
Photocell:	Standard: Photocell with ON/OFF dip switch
Voltage:	Standard: 120-277V Optional 347-480V
Warranty:	10 Year Warranty

## Performance Data

### Lumen Output:

6500 to 19500 lm

### Lumens Per Watt (typical):

130 lm/W

### CCT:

3000K

4000K

5000K

### Distribution:

Type V

## Ratings & Certificates

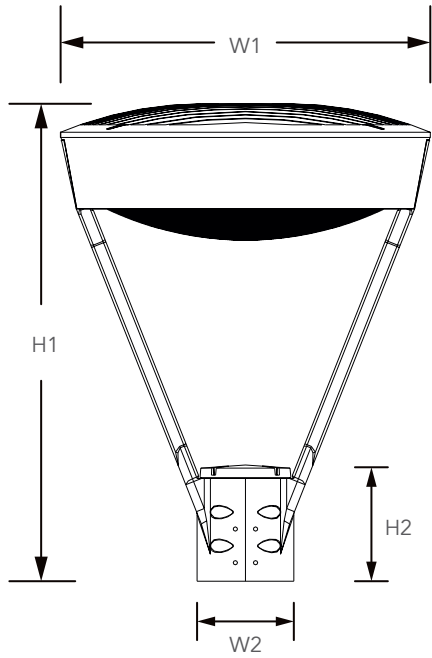
UL & cUL Listed





## Dimensions

Item	Height 1	Height 2	Width 1	Width 2
LL-PTPR	22.3"	4.52"	17.3"	4.52"



## Additional Image





<b>Project Name</b>	
<b>Catalog #</b>	
<b>Job Type</b>	
<b>Prepared By</b>	
<b>Notes</b>	

### Fixture Ordering Information

Part #	Wattage	Lumens	Kelvin	Voltage	Distribution
LL-PTRP-[45][60][80]-3CCT-UNV-T5-BZ-PC	45W/60W/80W	6500/8450/10400	3000K/4000K/5000K	120-277	T5
LL-PTRP-[100][125][150]-3CCT-UNV-T5-BZ-PC	100W/125W/150W	13000/16250/19500	3000K/4000K/5000K	120-277	T5

### Accessories Ordering Information

Part #	Description
SUB "UNV" WITH "480"	480 Volt
OS	Occupancy Sensor