



## Description

Semi-Recessed MR-16 Emergency Unit

## Illumination:

- Two fully adjustable semi-recessed, round MR16 lamp heads for optimal light distribution
- Ultra-bright, energy efficient, long-life White LED lamps provide up to 76-ft center-to-center spacing with 3-ft path of egress at 7.5-ft mounting height.

## Electrical:

- Dual 120/277 voltage.
- Charge rate/power "ON" LED indicator light and push-to-test switch for mandated code compliance testing.
- LVD (low voltage disconnect) prevents battery from deep discharge.
- 6V maintenance-free, rechargeable sealed lead acid battery.
- Internal solid-state transfer switch automatically connects the internal battery to lamp heads for minimum 90-minute emergency illumination.
- Fully automatic solid-state, two rate charger initiates battery charging to recharge a discharged battery in 24 hours.

## Mounting:

- Universal knockout pattern on the backplate for wall mount. Snaps into place making internal electrical connections.
- Knockout for conduit applications.

## Housing:

- Injection-molded, engineering grade, 5VA flame retardant, high-impact resistant, thermoplastic in white or black finish.

## Options:

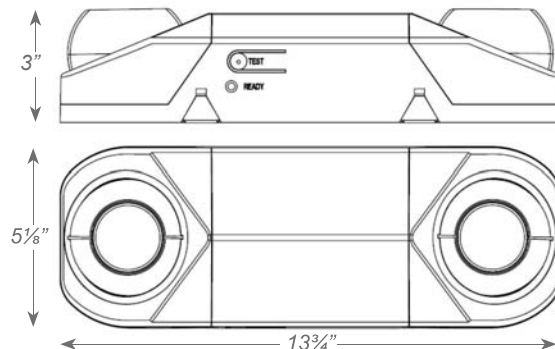
- USA: Substantial transformation assembly in the U.S. complies with "Assembled in the USA" under the Buy American Act.

## Warranty/Listing:

- Seven year warranty on all electronics and housing. Battery prorated for two years.
- Meets UL924, NFPA 101 Life Safety Code, NEC, OSHA, Local and State Codes.
- UL Listed for damp locations (20°C – 40°C).



## Dimensions:





<b>Project Name</b>	
<b>Catalog #</b>	
<b>Job Type</b>	
<b>Prepared By</b>	
<b>Notes</b>	

## Fixture Ordering Information

<b>Model</b>	<b>Housing Color</b>		<b>Lamp</b>		<b>Options</b>	
LL-RMR-16	Blank B	White Black	PLED	7.0W High Lumen White LED Lamps	USA	Assembled in USA

## Electrical Information

<b>Catalog Number</b>	<b>Input Watts (W)</b>		<b>Input Amps (A)</b>	
	120V	277V	120V	277V
LL-RMR	4.2	5.2	0.039	0.021