



# Round Tapered Aluminum Pole

Made in USA - Delaware

## LL-DE-RTA

### Round Tapered Aluminum Pole

8' to 18' standard mounting heights. For single or multiple luminaire mounting. Luminaires may be mounted on tenons, brackets or shaft may be drilled to manufacturer's mounting specifications. 5 year limited warranty.



#### PRODUCT INFORMATION

Structural Base	Base Cover	Handholes	Anchor Bolts
A356 alloy sand cast aluminum, four bolt base. An extra large access cover is included. A grounding lug is also provided.	Poles are provided with a two-piece cast aluminum base cover.	All standards in this model range include a peripherally reinforced handhole centered 18" above the bottom of the standard. The opening in the 4" and 5", diameter standard measures 2 <sup>3</sup> / <sub>8</sub> " x 4 <sup>1</sup> / <sub>2</sub> ".	<b>Standard with Each Pole:</b> Includes four ¾-10x25" steel hot dip galvanized anchor bolts; each with two nuts, two flat washers and one lock washer.
Tenons	Accessories	Powder Coat Finish	
<p><b>T300</b> = Standard for Post Top (2<sup>7</sup>/<sub>8</sub>" OD x 3" tall)</p> <p><b>T355</b> = Standard for Shepherd's Crook Arms (2<sup>7</sup>/<sub>8</sub>" OD x 5.5" tall)</p> <p><b>CAP</b> = Removable Cap, no tenon</p>	<p><b>GFIC</b> = Weatherproof GFI In-Use Cover, Cast Aluminum *</p> <p><b>GFIP</b> = Weatherproof GFI In-Use Cover, Plastic *</p> <p><b>USB</b> = Dual USB Port *</p> <p>* Must Indicate Location (See Orientation Guide)</p>	<p><b>Standard:</b> Black, High Gloss Black, Textured Black, White, High Gloss White, Bronze, Dark Bronze, Green, Dark Green, Gray, Silver Metallic</p> <p><b>Premium:</b> Verde Patina, Pewter Patina, Silver Sparkle, Semi-Gloss or Matte Black</p> <p>Custom &amp; Marine-Grade Finishes Available. All RAL Colors Available.</p>	

**Lead Time Information:** Built to order in Delaware (6 - 8 Weeks)

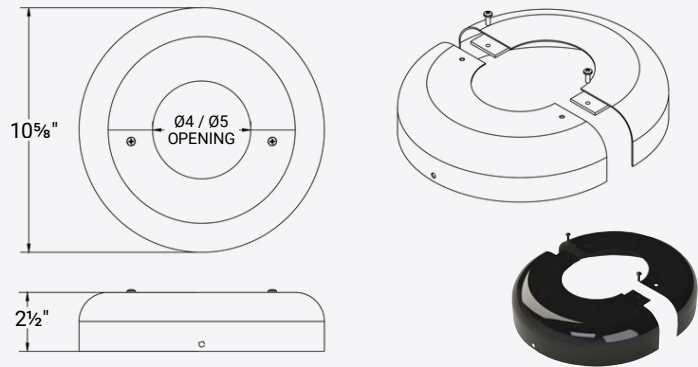


# Round Tapered Aluminum Pole

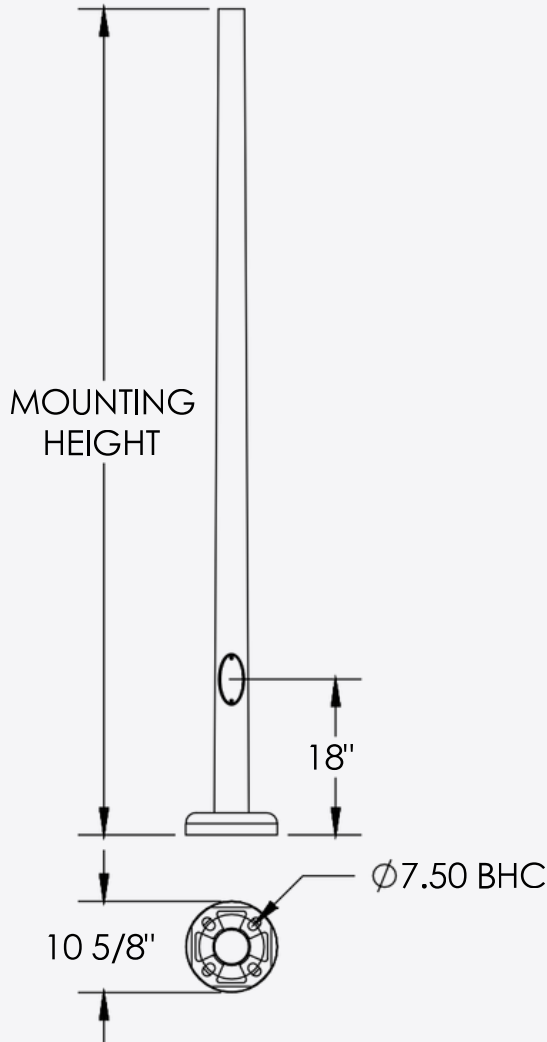
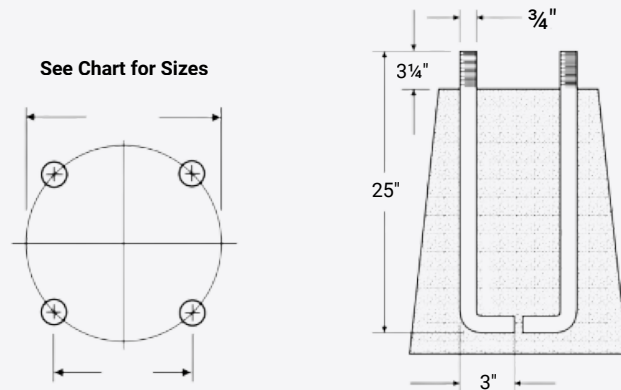
Made in USA - Delaware

## DIMENSIONS

### Split Spun Base Cover (SBC2)



### Anchor Base and Bolt Details



Pole Diameter	Bolt Circle	Bolt Projection	Bolt Size	Conduit Opening	Base Size
4"	7 1/2"	3/4"	3/4" x 25"	3 3/4"	8 3/4"
5"	7 1/2"	3/4"	3/4" x 25"	4 1/2"	9 1/4"

Actual anchor bolt size may differ slightly.



# Round Tapered Aluminum Pole

Made in USA - Delaware

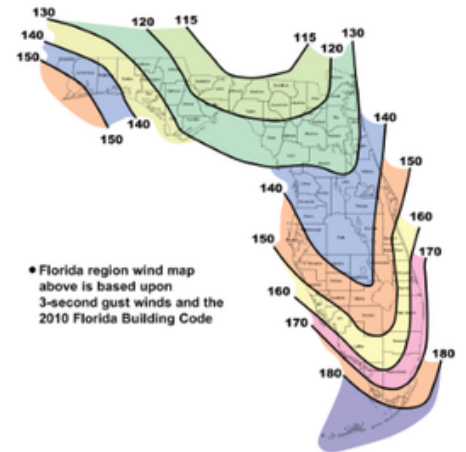
## WIND LOADING AND DIMENSIONAL DATA

Poles	Typical Weight and Allowable Size of Luminaires							Dimensions of Standards				
	Model #	Mount Height	Luminaire Weight (lbs)	Effective Projected Area-SQ FT-AT:					Standard Height	Top	Butt	Wall
				70 MPH	80 MPH	90 MPH	100 MPH	110 MPH				
43-8-A-S-125	8'	75	16.1	12.1	9.3	7.3	5.9	7' 8"	3"	5"	0.125	
43-10-A-S-125	10'	75	11.9	8.8	6.7	5.2	4.1	9' 8"	3"	5"	0.125	
53-10-A-S-125	10'	75	19.7	14.7	11.4	9.0	7.3	9' 8"	3"	5"	0.188	
43-12-A-S-125	12'	75	9.1	6.6	4.8	3.6	2.8	11' 8"	3"	5"	0.125	
53-12-A-S-125	12'	75	15.4	11.4	8.7	6.8	5.4	11' 8"	3"	5"	0.188	
53-12-A-S-156	12'	75	19.4	14.4	11.1	8.7	7.0	11' 8"	3"	5"	0.125	
53-12-A-S-188	12'	150	23	17.2	13.3	10.5	8.5	11' 8"	3"	5"	0.156	
43-14-A-S-125	14'	75	6.9	4.9	3.4	2.4	1.8	13' 8"	3"	5"	0.125	
53-14-A-S-125	14'	75	12.3	8.9	6.6	5.1	4.0	13' 8"	3"	5"	0.188	
53-14-A-S-156	14'	75	15.6	11.4	8.6	6.7	5.3	13' 8"	3"	5"	0.125	
53-14-A-S-188	14'	75	18.6	13.7	10.5	8.2	6.6	13' 8"	3"	5"	0.156	
43-16-A-S-125	16'	75	5.3	3.5	2.3	1.5	0.9	15' 8"	3"	5"	0.125	
53-16-A-S-125	16'	75	9.8	6.9	5.0	3.8	2.9	15' 8"	3"	5"	0.188	
53-16-A-S-156	16'	75	12.6	9.1	6.8	5.2	4.0	15' 8"	3"	5"	0.125	
53-16-A-S-188	16'	150	15.1	11.0	8.3	6.4	5.1	15' 8"	3"	5"	0.156	
53-18-A-S-125	18'	150	7.4	5.5	3.5	2.5	1.8	17' 8"	3"	5"	0.125	
53-18-A-S-156	18'	150	9.9	7.0	5.0	3.7	2.8	17' 8"	3"	5"	0.156	
53-18-A-S-188	18'	150	12.4	8.8	6.5	4.9	3.8	17' 8"	3"	5"	0.188	

**Florida Building Code 2017 EPA Load Rating - 3 Second Gust Wind Speeds**

\* EPA calculations allow for 1.3 Gust Factor. \*\*Standard includes factory installed vibration dampener. Variations from standard sizes listed above, available upon inquiry at the factory. Satisfactory performance of lighting standards is dependent upon the standard being properly attached to a supporting foundation of adequate design. LITELUME does not design or offer recommendations for foundations.

**Florida Region Wind Map**





# Round Tapered Aluminum Pole

Made in USA - Delaware

PROJECT NAME	
CATALOG #	
JOB TYPE	
PREPARED BY	
NOTES	

## ORDERING GUIDE

Brand		Location			Type
LL LITELUME		DE Delaware			RTA Round Tapered Aluminum
Diameter	Height	Model	Pole Type	Wall Size	Tenon
43 = 4"-3" Straight * 53 = 5"-3" Straight * * No Tenon Required * Smooth Shaft Only	8 = 8' 10 = 10' 12 = 12' 14 = 14' 16 = 16' 18 = 18'	A Anchor Base	S Smooth	Refer Chart on Page 3	N = None T300 = Standard for Post Top (2 7/8" OD x 3" tall) T355 = Standard for Shepherd's Crook Arms (2 7/8" OD x 5.5" tall) CAP = Removable Cap, no tenon
Accessories		Finish			Anchor Bolts
N = None GFIC = Weatherproof GFI In-Use Cover, Cast Aluminum * GFIP = Weatherproof GFI In-Use Cover, Plastic * USB = Dual USB Port * * Indicate Location		POWDER COAT COLORS BK - Black Powder Coat WH - White Powder Coat DBZ - Dark Bronze Powder Coat DGR - Dark Green Powder Coat GY - Gray Powder Coat CUS - Custom Color* * Provide RAL # or Sample Color Chip			Leave Blank If You Need Anchor Bolts LBC = Less Base Cover LAB = Less Anchor Bolts (Customer Supplies Own Anchor Bolts) * * Customer is responsible for specifications of their own anchor bolts. LITELUME does not assume any product warranty liability.