



Recessed Canopy Soffit Replacement



Description

The Litelume Recessed Canopy Soffit Replacement (LL-RCSR) is available with an optical distribution designed to replace HID lighting systems up to 250w MH or HPS. The low profile housing is designed to replace existing recessed canopy lights up to 12" round or square, and can be used in new construction. Typical applications include covered entryways and soffits in retail centers, schools and universities, office buildings and medical facilities. Mounting heights of 12 to 16 feet can be used based on light level and uniformity requirements.

Fixture Information

Size:	30W/37W/48W/65W
Housing:	Die-cast Aluminum Housing
Finish:	Powdercoat Finish Over a Chromate Conversion Coating
Lens:	Molded UV-Stabilized Acrylic Optical Lens
CRI:	80
Temperature:	-40°C to +50°C
Voltage:	Standard: 120-277V
Power Factor:	>.90
Surge Protector:	6 kVA
Warranty:	10-Year Limited Warranty

Performance Data

Lumen Output:

4,590 to 10,348 lm

Lumens Per Watt (typical):

135 to 144 lm/W

CCT:

3000K

4000K

5000K

Distribution

Type V

Lifespan:

219,000 hrs @ 25°C

Ratings & Certificates

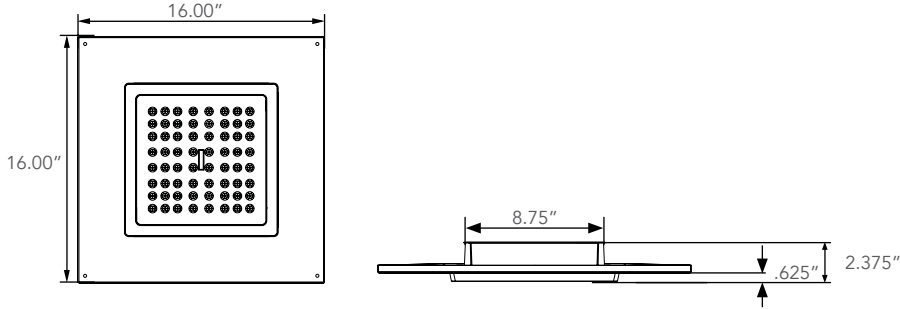
CSA: Listed for Wet Locations, ANSI/UL 1598, 8750; IP66 Sealed LED Compartment. ADA Compliant. 10 year Warranty. BAA Compliant



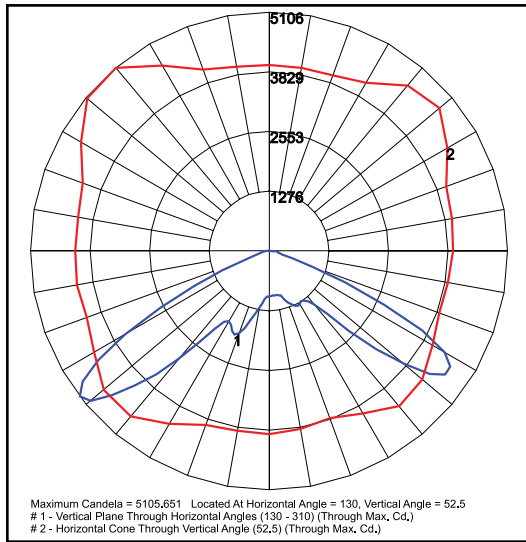


Dimension

Item	Height	Width	Length
30W/37W/48W/65W	2.375"	16.00"	16.00"



Photometric



LL-RCSR-65-40-UNV-WH



Project Name	
Catalog #	
Job Type	
Prepared By	
Notes	

Fixture Ordering Information

Part #	Wattage	Lumens	Kelvin	Voltage	Type Distribution
LL-RCSR-30-30-UNV-WH	30	4590	3000	120-277	Type V
LL-RCSR-30-40-UNV-WH	30	4776	4000	120-277	Type V
LL-RCSR-37-40-UNV-WH	37	5890	4000	120-277	Type V
LL-RCSR-48-40-UNV-WH	48	7642	4000	120-277	Type V
LL-RCSR-48-50-UNV-WH	48	7939	5000	120-277	Type V
LL-RCSR-65-40-UNV-WH	65	10348	4000	120-277	Type V

Accessories Ordering Information

Part #	Description
SF	Single Fuse *120-277V Only*
DF	Double Fuse *120-277V Only*
SP	Surge Protection 120-277V, 10KA
SP2	Surge Protection 120-277V, 20KA
SPH	Surge Protection 480V, 10KA
BU	Battery Backup, 90 Minutes *120-277V Only*
SUB "UNV" WITH "480"	480 Volt *30W & 37W Only*

* Please contact LITELUME for all Custom Option Requests