



# High Bay Round Premium



\*Not all product variations listed on this page are DLC qualified. Visit [www.designlights.org/search](http://www.designlights.org/search) to confirm qualification



## Description

The LITELUME™ LED High Bay Round Premium (HBRP) is a new technological luminaire constructed with a IP65 rated die cast housing suitable for both indoor and outdoor applications. Featuring a stylish design while upholding maximum durability and reliability. Ideal for a variety of commercial and industrial lighting applications. Controls ready.

## Fixture Information

Size:	40W/60W/64W/80W/84W/90W/ 92W/96W/100W/120W/126W/128W/ 138W/150W/160W/168W/184W/ 210W/230W
Housing:	Sealed Die-casting
Finish:	Protective powder coat
Colors:	Standard: Black (BK) Optional: White (WH)
Mountings:	Standard: Hook Mount Optional: U-Bracket, Pendant mount
Power Cord:	Standard: 6" Cord
Lens:	Anti-Glare, Anti-UV prismatic translucent
Dimming:	0-10V dimming standard for a dimming range of 100% to 10%.
Controls:	Controls Ready
Surge Protector:	6kV
Operating temperature:	-40° F to 113° F
Power factor:	.90
THD::	<20%
CRI:	80
Voltage:	Standard: 120-277V Custom Option: 480V
Warranty:	10-Year Limited Warranty

## Performance Data

### Lumen Output:

7,000 to 40,000 lm

### Lumens Per Watt (typical):

175 lm/W

### CCT:

4000K  
5000K

### Distribution:

120°

### Lifespan:

Features Premium LED's with up to 100,000 running hours

## Ratings & Certificates

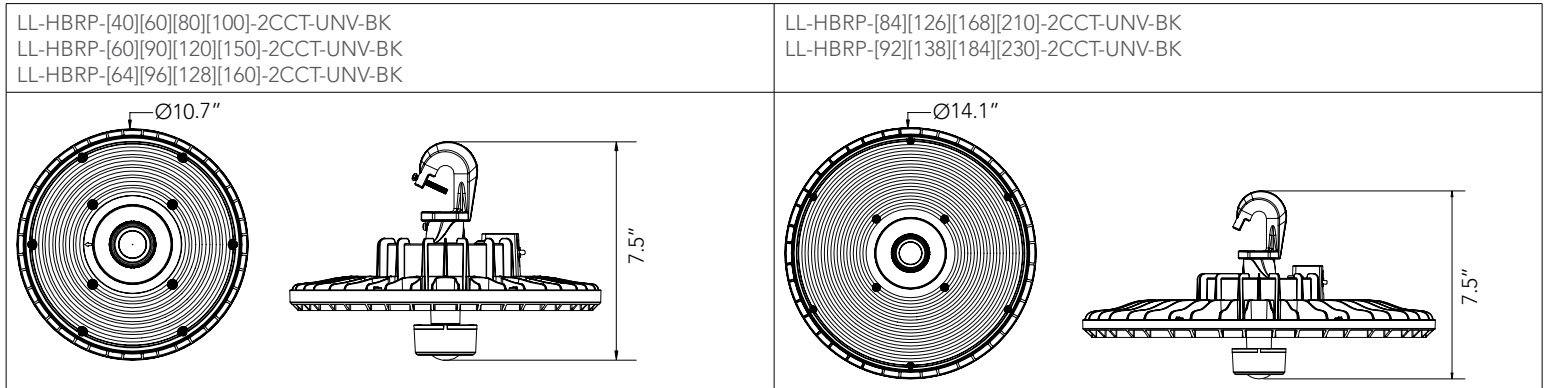
UL Listed For Wet Location  
IP65 rated  
TAA Compliant





## Dimension

Item	Diameter	Height
LL-HBRP-[40][60][80][100]-2CCT-UNV-BK	10.7"	7.5"
LL-HBRP-[60][90][120][150]-2CCT-UNV-BK	10.7"	7.5"
LL-HBRP-[64][96][128][160]-2CCT-UNV-BK	10.7"	7.5"
LL-HBRP-[84][126][168][210]-2CCT-UNV-BK	14.1"	7.5"
LL-HBRP-[92][138][184][230]-2CCT-UNV-BK	14.1"	7.5"



## Features

**Emergency Battery**  
25W 3500lm 90min

**Installation accessory**  
Available for both hook mount, conduit mount and surface mounting with U-bracket(optional). U-bracket allows to adjust the direction to illuminate any area you need.

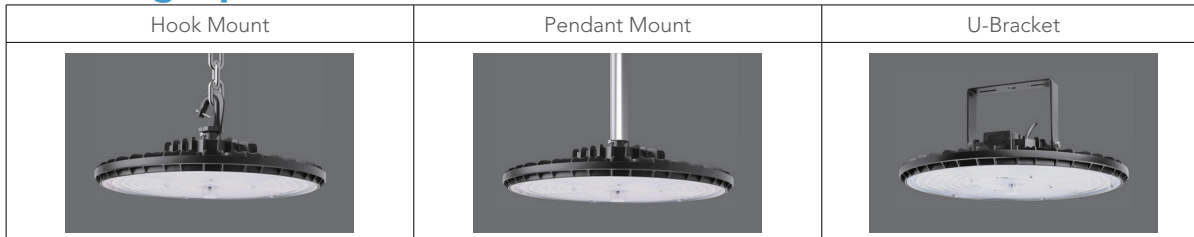
**Transformer BOX**  
Transformer can be easily added into the Junction-box and convert to HV models, reducing SKUs and inventory pressure.

**Housing**  
Rugged die-cast housing with corrosion-resistant powder coating for effective protection.

**Plug-and-Play Sensor (optional)**  
Sensor allows for security and energy saving.

*Install in 3-Seconds*

## Mounting Option

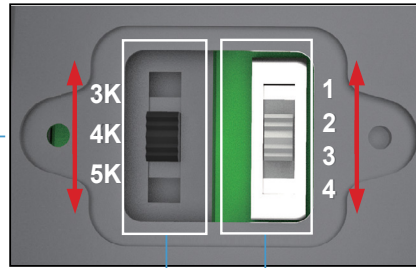
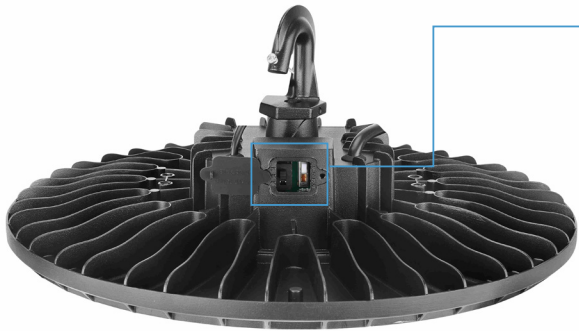




### Accessories

EM15	ANT-6-4T	ANT-5-4T	HBRP-UB	HBRP-ALRS/ HBRP-ALRL	HBRP-PCRS

### Selectable CCT and Wattage



#### CCT AND WATTAGE SELECTABLE

This fixture has the function of adjusting the lumens output and color temperature on-site.

**CCT SELECT**

3000K 4000K 5000K

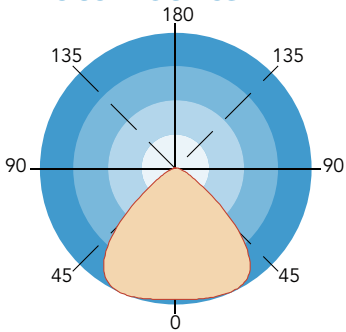
Offer three CCT adjustable (3000K, 4000K, 5000K) or two CCT adjustable (4000K, 5000K)

**WATTAGE SELECT**

40% 60% 80% 100%

Each model supports 4 positions wattage regulation: 100%, 80%, 60%, 40%

### Photometrics





## Performance Data

LL-HBRP-[40][60][80][100]-2CCT-UNV-BK								
SETTING	SYSTEM WATTS	CRI	3000K		4000K		5000K	
			LUMENS	LPW	LUMENS	LPW	LUMENS	LPW
100%	100W	70	14000lm	140 lm/W	16000lm	160 lm/W	14500lm	145 lm/W
80%	80W	70	11600lm	145 lm/W	13000lm	163 lm/W	12000lm	150 lm/W
60%	60W	70	9000lm	150 lm/W	10000lm	167 lm/W	9400lm	157 lm/W
40%	40W	70	6200lm	155 lm/W	7000lm	175 lm/W	6500lm	163 lm/W

LL-HBRP-[60][90][120][150]-2CCT-UNV-BK								
SETTING	SYSTEM WATTS	CRI	3000K		4000K		5000K	
			LUMENS	LPW	LUMENS	LPW	LUMENS	LPW
100%	150W	70	22000lm	147 lm/W	24000lm	160 lm/W	22500lm	150 lm/W
80%	120W	70	18000lm	150 lm/W	20000lm	167 lm/W	19000lm	158 lm/W
60%	90W	70	14000lm	156lm/W	15500lm	172 lm/W	14600lm	162 lm/W
40%	60W	70	9800lm	163 lm/W	10800lm	180 lm/W	10000lm	167 lm/W

LL-HBRP-[64][96][128][160]-2CCT-UNV-BK								
SETTING	SYSTEM WATTS	CRI	3000K		4000K		5000K	
			LUMENS	LPW	LUMENS	LPW	LUMENS	LPW
100%	160W	70	25500lm	159 lm/W	28000lm	175 lm/W	27000lm	169 lm/W
80%	128W	70	21200lm	166 lm/W	22800lm	178 lm/W	22000lm	172 lm/W
60%	96W	70	16500lm	172 lm/W	17500lm	182 lm/W	17000lm	177 lm/W
40%	64W	70	11300lm	177 lm/W	12000lm	188 lm/W	11600lm	181 lm/W

LL-HBRP-[84][126][168][210]-2CCT-UNV-BK								
SETTING	SYSTEM WATTS	CRI	3000K		4000K		5000K	
			LUMENS	LPW	LUMENS	LPW	LUMENS	LPW
100%	210W	70	30200lm	144 lm/W	32000lm	152 lm/W	30500lm	145 lm/W
80%	168W	70	24500lm	146 lm/W	26500lm	158 lm/W	25000lm	149 lm/W
60%	126W	70	19000lm	151 lm/W	21000lm	167 lm/W	20000lm	159 lm/W
40%	84W	70	13500lm	161 lm/W	14500lm	173 lm/W	14000lm	167 lm/W

LL-HBRP-[92][138][184][230]-2CCT-UNV-BK								
SETTING	SYSTEM WATTS	CRI	3000K		4000K		5000K	
			LUMENS	LPW	LUMENS	LPW	LUMENS	LPW
100%	230W	70	34000lm	148 lm/W	36000lm	157 lm/W	35000lm	152 lm/W
80%	184W	70	28000lm	152lm/W	30000lm	163 lm/W	29000lm	158 lm/W
60%	138W	70	22000lm	159 lm/W	24000lm	174 lm/W	23000lm	167 lm/W
40%	92W	70	15500lm	168 lm/W	16500lm	179 lm/W	16000lm	174 lm/W



<b>Project Name</b>	
<b>Catalog #</b>	
<b>Job Type</b>	
<b>Prepared By</b>	
<b>Notes</b>	

### Fixture Ordering Information

Part #	Wattage	Lumens	Kelvin	Voltage
LL-HBRP-[40][60][80][100]-2CCT-UNV-BK	40W/60W/80W/100W	7000/10000/13000/16000	4000K 5000K	120-277
LL-HBRP-[60][90][120][150]-2CCT-UNV-BK	60W/90W/120W/150W	10800/15500/20000/24000	4000K 5000K	120-277
LL-HBRP-[64][96][128][160]-2CCT-UNV-BK	64W/96W/128W/160W	12000/17500/22800/28000	4000K 5000K	120-277
LL-HBRP-[84][126][168][210]-2CCT-UNV-BK	84W/126W/168W/210W	14500/21000/26500/32000	4000K 5000K	120-277
LL-HBRP-[92][138][184][230]-2CCT-UNV-BK	92W/138W/184W/230W	16500/24000/30000/40000	4000K 5000K	120-277

### Accessories Ordering Information

Part #	Description
ANT-5-4T	Sharkward 12-24V DC 0-10V Plug And Play Microwave Sensor
ANT-6-4T	Sharkward 12-24V DC 0-10V Plug And Play PIR Sensor
ANT-6-4T-BLE-SR	Sharkward Silvair 12-24V DC 0-10V Plug And Play Bluetooth PIR Sensor
ANT-6-4T-BLE-GE	Homewell GEBC 12-24V DC 0-10V Plug And Play Bluetooth PIR Sensor
BRI-WS204-GE	Homewell GEBC 4-Button Wireless Wall Switch, 120VAC
RC-100	Remote Control 100
AC-EFS106-AUX-W.B1-WH-BL1-2-B	Autani Compatible - Keilton EFS106-AUX-W.B1 Plug And Play Bluetooth Daylight Harvesting And PIR Motion Sensor & WHBL1-2-B Lens LLLC
AC-WPPA102-AUX-W.B1	Autani Compatible - Keilton Plug And Play Bluetooth Long Range Controller Node LLLC
SUB "UNV" WITH "480"	480 Volt
HBRP-UB	U-Bracket High Bay Round Premium
HBRP-ALRS	Aluminum Reflector Highbay Round Premium Small Size
HBRP-ALRL	Aluminum Reflector Highbay Round Premium Large Size
HBRP-PCRS	Polycarbonate Refractor Highbay Round Premium Small Size
EM15	Emergency Battery Back Up 15W, 2000 Lumens *100W/150W/160W Selectable
EM25	Emergency Battery Back Up 25W, 3500 Lumens *210W/230W Selectable

\* Please contact LITELUME for all Custom Option Requests

### Buy American Act Compliant Ordering Information

Part #	Description
BAA-HBRP	Buy American Act Compliant For High Bay Round Premium

\* Please contact LITELUME for all Custom Option Requests