



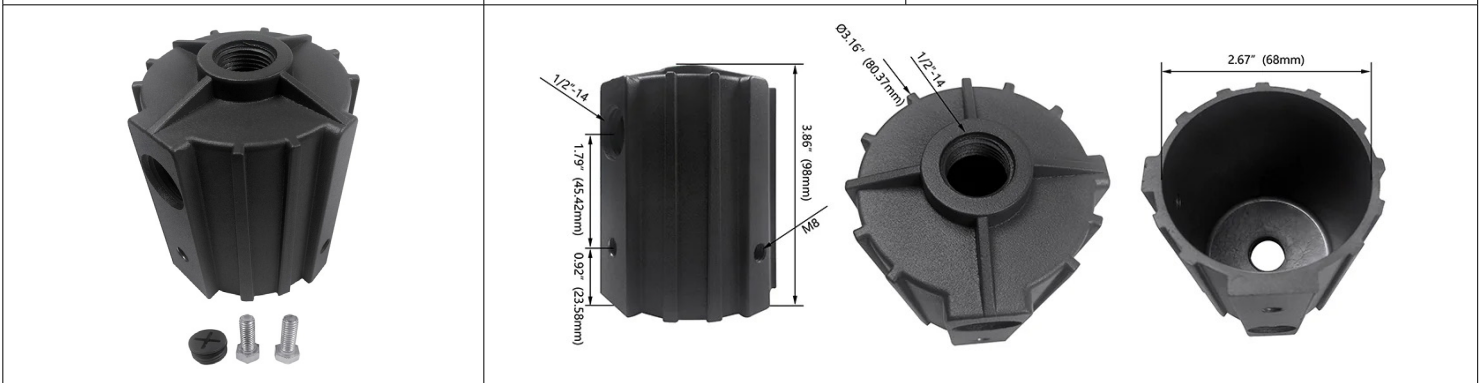
Contractor Select Knuckle Mount Tenon Adapter

Project Name	
Catalog #	
Job Type	
Prepared By	
Notes	

Description

Contractor Select Knuckle Mount Tenon Adapter

Finish:	Polyester powder coat, hot dip galvanized
Color:	Bronze



Ordering Information

Part #	Wattage
LL-CS-1/2-PT23-BZ	Contractor Select 1/2" Knuckle Mount With 2 3/8" OD Round Pole Tenon Adapter

* Please contact LITELUME for all Custom Option Requests