



Flat Panel Round 4"



LL-FPR4

Flat Panel Round 4"

The LL-FPR4 Series Flat Panel Canless Downlight delivers sleek performance and versatility for modern spaces. Available in 4" with 5 CCT field selectable color temperatures ranging from 2700K to 5000K. High Performance LED's provide a Vibrant light. Easy recessed installation without a housing makes it ideal for both new construction and retrofit applications. Where a frame kit is needed, we offer a universal frame kit.



PERFORMANCE DATA

Lumen Output	600 lm
Lumens Per Watt (typical)	86 lm/W
CCT - Field Selectable	2700K 3000K 3500K 4000K 5000K
Lifespan	181,000 hrs

RATINGS & CERTIFICATES

cETLus • Energy Star • FCC • IC Rated
Wet Location • Interior / Exterior

APPLICATIONS

New Construction • Retrofit & Remodel

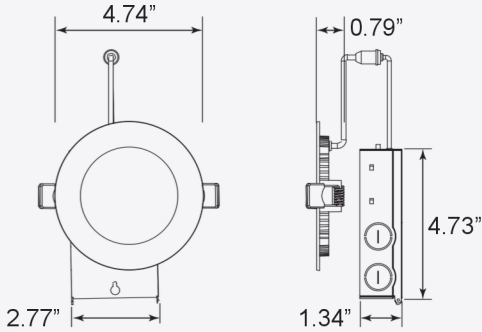
FIXTURE INFORMATION

Size	Housing	Finish	Trim Finish	Beam Angle	Warranty	
7W	White Aluminum	Premium Powder Coat	White <i>* Black or Brushed Nickel Finish Trim Rings Available</i>	110°	10 Year	
Voltage	Dimming	Electrical		PF	THD	CRI
120V	Triac Dimming @ 120V	0.5kV Surge Protection	Type IC	.90	<20%	90

Operating Temperature: -4°F to 113°F



DIMENSIONS



Length (in)	Width (in)	Height (in)	Weight (lbs)
4.74	4.74	0.79	0.63
Junction Box Size (in)		4.73 x 2.77 x 1.34	

LUMEN TABLES

Measurements	Lumens				
	2700K	3000K	3500K	4000K	5000K
Lumens	698	729	746	58	763
Watts	8.72	8.63	8.42	8.53	8.75
Efficacy	80/05	84.47	88.60	88.86	87.20

COMPATIBLE DIMMERS AND CONTROLS

Lutron	Leviton
<ul style="list-style-type: none"> • TG-600PR-WH • SLV-600P-AL • DVCL-153P • S-600PR-WH • DV-600PR-WH • MSCL-OP153M • CTCL-153PDH-WH • SCL-153PH-WH • PD-6WCL • TGCL-153PH-LA • GT-600P • MACL-153M//MA-R 	<ul style="list-style-type: none"> • 6672 • 6674 • IPL06 • RNL06 • DSL06



PROJECT NAME	
CATALOG #	
JOB TYPE	
PREPARED BY	
NOTES	

ORDERING GUIDE

Brand	Fixture Type	Lumen Package	CCT	Accessories
LL LITELUME	FPR4 Flat Panel Round 4"	6L 600 Lumens	KFS Kelvin Field Selectable	TR-BK Trim Ring Black Finish TR-BN Trim Ring Brushed Nickel Finish

FIXTURE ORDERING INFORMATION

Part #	Watts	Lumens	Kelvin	Voltage	Beam
LL-FPR4-6L-KFS	7W	600	5 CCT	120	110 Degree

ACCESSORIES ORDERING INFORMATION

Part #	Description
LL-FPR4-TR-BK	Trim Ring Black Finish LL-FPR4
LL-FPR6-TR-BN	Trim Ring Brushed Nickel Finish LL-FPR4