



# Decorative Aluminum PLA421 Mounting Arm & Device

Made in USA - Delaware

## LL-DE-DA-PLA421

### PLA421 Mounting Arm & Device

LL-DE-DA-PLA421 Decorative Arms are Constructed From Aluminum Sand Castings. Castings are Welded and Heat Treated, After Weld, to a T6 Hardness for Maximum Strength.



PLA421 Single Pole Mounted Tenon Mount with Top Scroll



PLA421 Single Pole Mounted Pendant Mount with Top Scroll



PLA421 Double Pole Mounted Tenon Mount

## PRODUCT INFORMATION

Arm Orientation	Mounting Requirements	Finish
<p><b>Standard Double Arm - 180°</b>  <b>Standard Quadruple Arm - 90°</b></p> <p><i>For Triple Arm Configuration or Custom Orientation, Please Contact the Factory.</i></p>	<p><b>Wall Mounted Arms</b>            Flat Back Plates Are Not Predrilled at the Factory. This Allows Installation Contractors the Ability to Match Mounting Holes (By Contractor) to Specified Mounting Surfaces.</p> <p><b>Post/Pole Mounted Arms</b>            Require a 2 7/8" OD x 5 1/2" tall tenon.</p>	<p>Super Durable Polyester Powdercoat Finish</p> <p>Custom Finishes, Including Patinas &amp; All RAL Colors Available.</p>

**Warranty: 5 Year Limited**

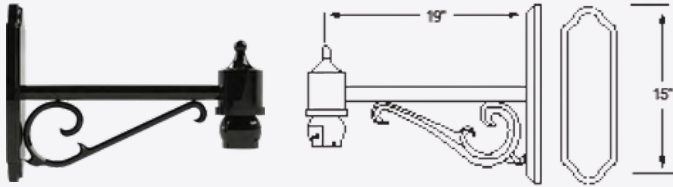


# Decorative Aluminum PLA421 Mounting Arm & Device

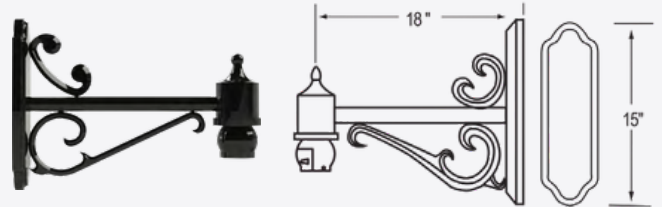
Made in USA - Delaware

## DIMENSIONS

Wall Mount for Pendant

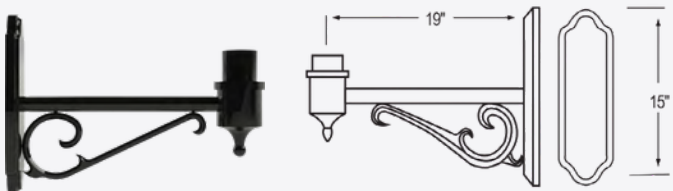


Shown with "TS" Top Scroll Option

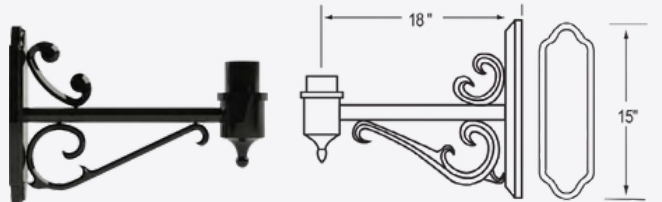


EPA: 0.7

Wall Mount with 3" Tenon

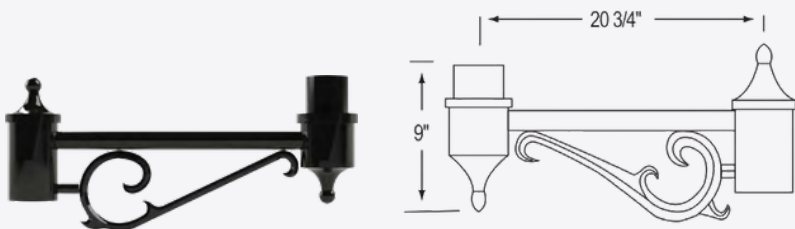


Shown with "TS" Top Scroll Option



EPA: 0.7

Pole, Tenon Mount Single Arm



Shown with "TS" Top Scroll Option



EPA: 1.1



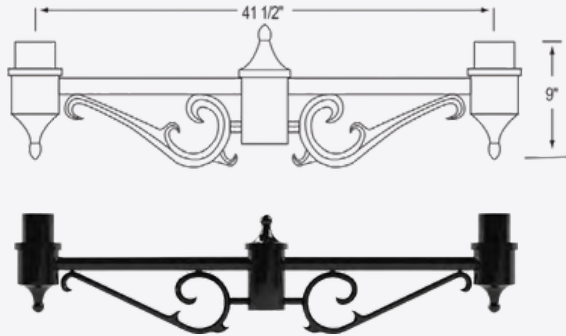
# Decorative Aluminum PLA421 Mounting Arm & Device

Made in USA - Delaware

## DIMENSIONS

Pole, Tenon Mount Double Arm(s)

Shown with "TS" Top Scroll Option

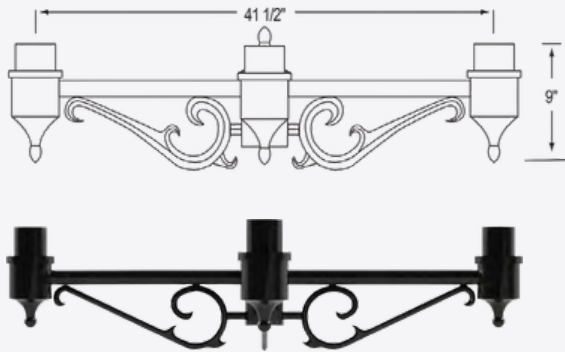


Pole, Tenon Mount Double Arm(s) for Pendant Hang Fixtures

EPA: 2.2 (2 @ 180°)

Pole, Tenon Mount Quad Arm(s) (4 @ 90°)

Shown with "TS" Top Scroll Option



Pole, Tenon Mount Quad Arm(s) for Pendant Hang Fixtures

Consult Factory for EPA



# Decorative Aluminum PLA421 Mounting Arm & Device

Made in USA - Delaware

PROJECT NAME	
CATALOG #	
JOB TYPE	
PREPARED BY	
NOTES	

## ORDERING GUIDE

Brand	Location	Type	Model	
LL LITELUME	DE Delaware	DA Decorative Aluminum	PL421 PL421 Decorative Arm	
# of Arms	Arm Mount	Options	Fixture Mount	Finish
<b>SG</b> Single <b>DB</b> Double <b>QU</b> Quadruple	<b>PM</b> Post/Pole Mount * <b>WM</b> Wall Mount  * 2 7/8" OD x 5.5" Tall Tenon Required	<b>N</b> None <b>TS</b> Top Scroll	<b>TEN</b> Tenon Mount <b>PEN-LMD</b> Luminaire Mounting Device Knuckle Mount to Accept 2.5" Round Plumbizer Pendant Fixture	<b>POWDER COAT COLORS</b> <b>BK</b> - Black Powder Coat <b>WH</b> - White Powder Coat <b>DBZ</b> - Dark Bronze Powder Coat <b>DGR</b> - Dark Green Powder Coat <b>GY</b> - Gray Powder Coat <b>CUS</b> - Custom Color*  <i>* Provide RAL # or Sample Color Chip</i>