



Power Box Area Light



Description

The LITELUME™ Power Box Area Light (LL-PBAL) is a Specification Grade Luminaire combining modern style and performance. Featuring a diecast aluminum housing with premium corrosion protection, and secondary UV resistant polycarbonate optics. Architectural one or two LED modular design, and 3G vibration rated. Featuring a wide array of wattage options from 25 watts all the way up to 600 watts. The PBAL provides an aesthetically pleasing addition to any commercial, retail, industrial, sports and any other large site area with its steady well defined construction. The highly functioning optics provide maximum lumen output and light distribution to make the PBAL the premier outdoor area light.

Fixture Information

Size:	25W/50W/80W/100W/150W/200W/ 300W/400W/500W/600W
Housing:	Die-cast Aluminum
Finish:	Protective powder coat
Color:	Standard: Bronze Custom Options: Black (BK) White (WH) Gray (GY) Custom (CUS)
Mounting:	Pole Mount Wall Mount Tenon Mount Surface Mount
Lens:	Polycarbonate
Power Factor:	>.90
CRI:	80
Operating Temperature:	-40°F to 113°F
Surge Protector:	Optional: 10 kVA, 20kVA
Voltage:	Standard: 120-277V Optional: 347-480V
Sensor:	Standard: No sensor Optional: Microwave, PIR, smart motion sensors, photocells and controls available
Warranty:	10-Year Limited Warranty

Performance Data

Lumen Output:

3,375 - 98,000 lm

Lumens Per Watt (typical):

135 - 163 lm/W

CCT:

3000K

4000K

5000K

Distribution:

Type III

Type IV

Type V

30° narrow

60° medium

Lifespan:

Features Premium Drivers & 5050 LED's with up to
100,000 running hours

Ratings & Certificates

UL Listed For Wet Location
IP66 rated




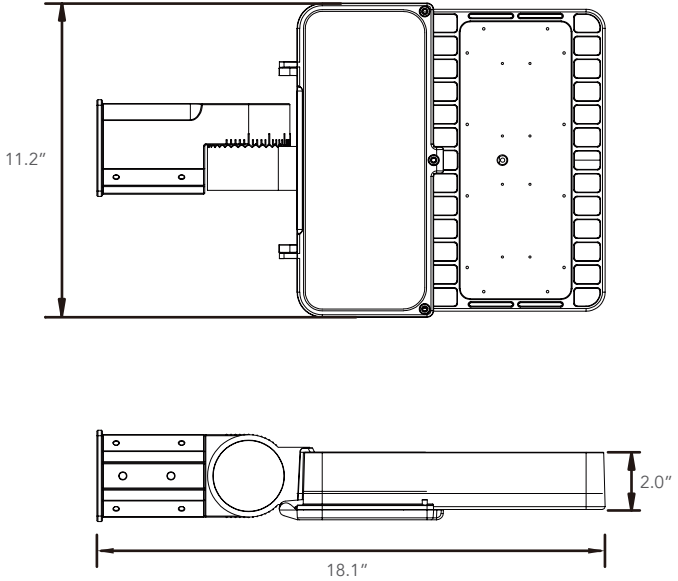


Dimension


Item	Width	Length	Height
PBALSF 25W-100W	11.2"	18.1"	2.0"
PBALSF 150W-200W	13.9"	21.0"	2.4"
PBALSF 300W-400W	13.9"	30.6"	2.4"
PBALSF 400W-600W	13.9"	30.6"	4.9"

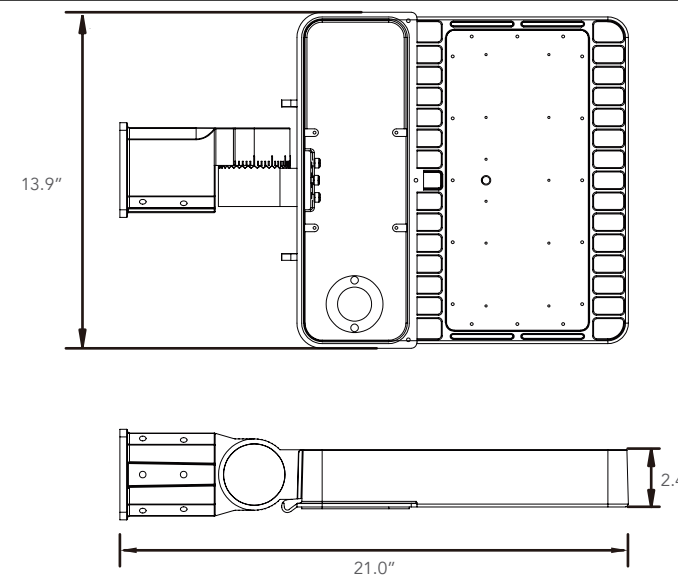
25W-100W

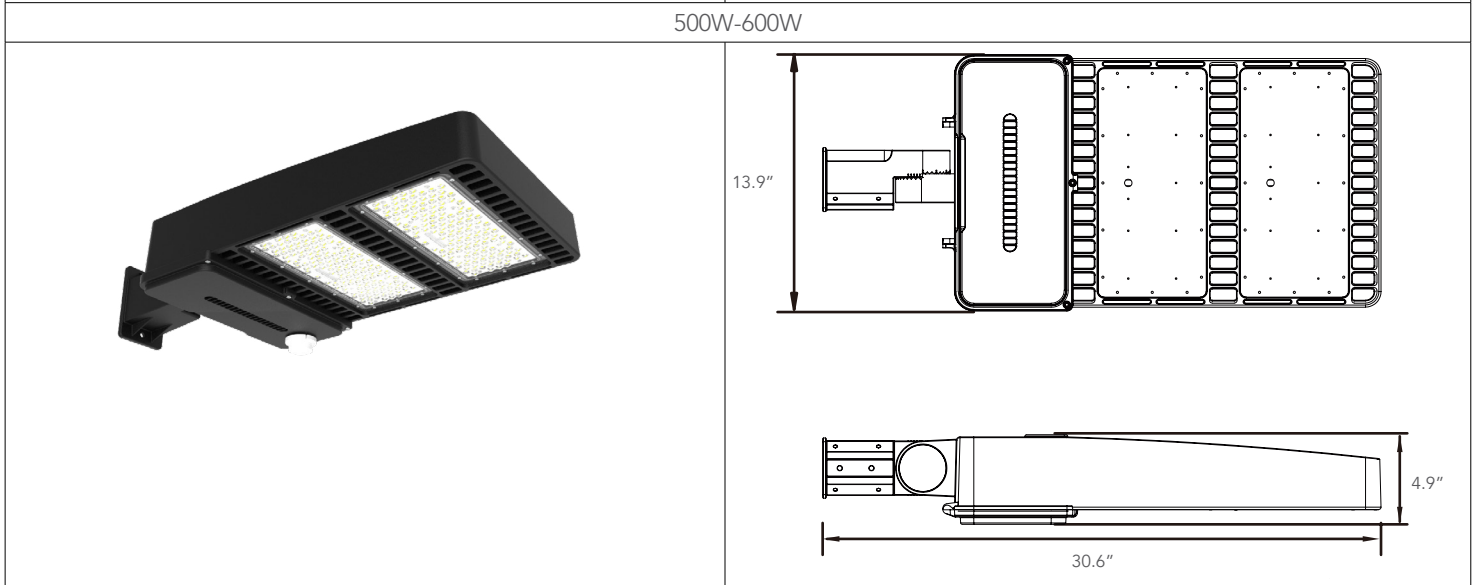
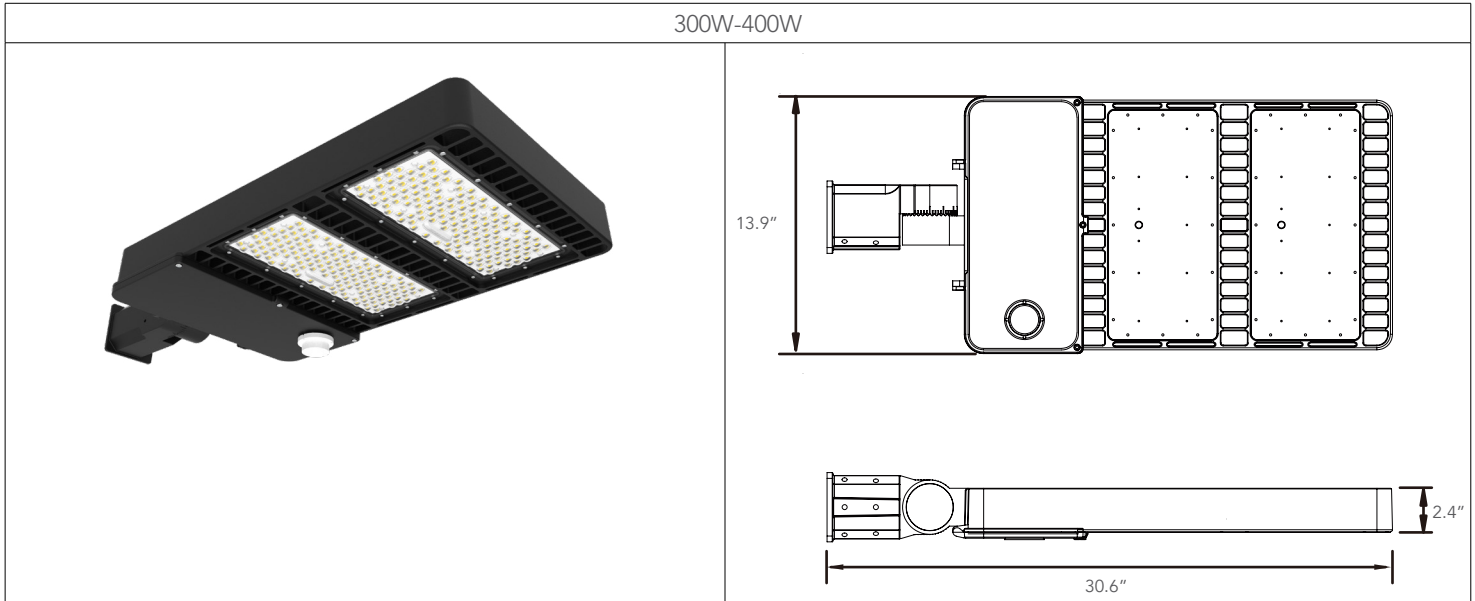




150W-200W







Mounting

PBALSF	PBALPMA	PBALWMA	PBALPMRA
PBALSF3	PBALPM	PBALTR	PBALPMR



Project Name	
Catalog #	
Job Type	
Prepared By	
Notes	

Fixture Ordering Information

Part #	Wattage	Lumens	Kelvin	Voltage	Distribution
LL-PBAL-25-50-UNV-T3-BZ	25	3375	5000	120-277	T3
LL-PBAL-25-40-UNV-T3-BZ	25	3375	4000	120-277	T3
LL-PBAL-25-30-UNV-T3-BZ	25	3375	3000	120-277	T3
LL-PBAL-25-50-UNV-T4-BZ	25	3375	5000	120-277	T4
LL-PBAL-25-40-UNV-T4-BZ	25	3375	4000	120-277	T4
LL-PBAL-25-30-UNV-T4-BZ	25	3375	3000	120-277	T4
LL-PBAL-25-50-UNV-T5-BZ	25	3375	5000	120-277	T5
LL-PBAL-25-40-UNV-T5-BZ	25	3375	4000	120-277	T5
LL-PBAL-25-30-UNV-T5-BZ	25	3375	3000	120-277	T5
LL-PBAL-50-50-UNV-T3-BZ	50	6750	5000	120-277	T3
LL-PBAL-50-40-UNV-T3-BZ	50	6750	4000	120-277	T3
LL-PBAL-50-30-UNV-T3-BZ	50	6750	3000	120-277	T3
LL-PBAL-50-50-UNV-T4-BZ	50	6750	5000	120-277	T4
LL-PBAL-50-40-UNV-T4-BZ	50	6750	4000	120-277	T4
LL-PBAL-50-30-UNV-T4-BZ	50	6750	3000	120-277	T4
LL-PBAL-50-50-UNV-T5-BZ	50	6750	5000	120-277	T5
LL-PBAL-50-40-UNV-T5-BZ	50	6750	4000	120-277	T5
LL-PBAL-50-30-UNV-T5-BZ	50	6750	3000	120-277	T5
LL-PBAL-80-50-UNV-T3-BZ	80	10200	5000	120-277	T3
LL-PBAL-80-40-UNV-T3-BZ	80	10200	4000	120-277	T3
LL-PBAL-80-30-UNV-T3-BZ	80	10200	3000	120-277	T3
LL-PBAL-80-50-UNV-T4-BZ	80	10200	5000	120-277	T4
LL-PBAL-80-40-UNV-T4-BZ	80	10200	4000	120-277	T4
LL-PBAL-80-30-UNV-T4-BZ	80	10200	3000	120-277	T4
LL-PBAL-80-50-UNV-T5-BZ	80	10200	5000	120-277	T5
LL-PBAL-80-40-UNV-T5-BZ	80	10200	4000	120-277	T5
LL-PBAL-80-30-UNV-T5-BZ	80	10200	3000	120-277	T5
LL-PBAL-100-50-UNV-T3-BZ	100	15500	5000	120-277	T3
LL-PBAL-100-40-UNV-T3-BZ	100	15500	4000	120-277	T3
LL-PBAL-100-30-UNV-T3-BZ	100	15500	3000	120-277	T3
LL-PBAL-100-50-UNV-T4-BZ	100	15500	5000	120-277	T4
LL-PBAL-100-40-UNV-T4-BZ	100	15500	4000	120-277	T4
LL-PBAL-100-30-UNV-T4-BZ	100	15500	3000	120-277	T4
LL-PBAL-100-50-UNV-T5-BZ	100	15500	5000	120-277	T5
LL-PBAL-100-40-UNV-T5-BZ	100	15500	4000	120-277	T5
LL-PBAL-100-30-UNV-T5-BZ	100	15500	3000	120-277	T5
LL-PBAL-150-50-UNV-T3-BZ	150	20250	5000	120-277	T3
LL-PBAL-150-40-UNV-T3-BZ	150	20250	4000	120-277	T3
LL-PBAL-150-50-UNV-T4-BZ	150	20250	5000	120-277	T4



LL-PBAL-150-40-UNV-T4-BZ	150	20250	4000	120-277	T4
LL-PBAL-150-50-UNV-T5-BZ	150	20250	5000	120-277	T5
LL-PBAL-150-40-UNV-T5-BZ	150	20250	4000	120-277	T5
LL-PBAL-150-50-UNV-N30-BZ	150	20250	5000	120-277	30
LL-PBAL-150-40-UNV-N30-BZ	150	20250	4000	120-277	30
LL-PBAL-150-50-UNV-M60-BZ	150	20250	5000	120-277	60
LL-PBAL-150-40-UNV-M60-BZ	150	20250	4000	120-277	60
LL-PBAL-200-50-UNV-T3-BZ	200	32000	5000	120-277	T3
LL-PBAL-200-40-UNV-T3-BZ	200	32000	4000	120-277	T3
LL-PBAL-200-50-UNV-T4-BZ	200	32000	5000	120-277	T4
LL-PBAL-200-40-UNV-T4-BZ	200	32000	4000	120-277	T4
LL-PBAL-200-50-UNV-T5-BZ	200	32000	5000	120-277	T5
LL-PBAL-200-40-UNV-T5-BZ	200	32000	4000	120-277	T5
LL-PBAL-200-50-UNV-N30-BZ	200	32000	5000	120-277	30
LL-PBAL-200-40-UNV-N30-BZ	200	32000	4000	120-277	30
LL-PBAL-200-50-UNV-M60-BZ	200	32000	5000	120-277	60
LL-PBAL-200-40-UNV-M60-BZ	200	32000	4000	120-277	60
LL-PBAL-300-50-UNV-T3-BZ	300	40500	5000	120-277	T3
LL-PBAL-300-40-UNV-T3-BZ	300	40500	4000	120-277	T3
LL-PBAL-300-50-UNV-T4-BZ	300	40500	5000	120-277	T4
LL-PBAL-300-40-UNV-T4-BZ	300	40500	4000	120-277	T4
LL-PBAL-300-50-UNV-T5-BZ	300	40500	5000	120-277	T5
LL-PBAL-300-40-UNV-T5-BZ	300	40500	4000	120-277	T5
LL-PBAL-300-50-UNV-N30-BZ	300	40500	5000	120-277	30
LL-PBAL-300-40-UNV-N30-BZ	300	40500	4000	120-277	30
LL-PBAL-300-50-UNV-M60-BZ	300	40500	5000	120-277	60
LL-PBAL-300-40-UNV-M60-BZ	300	40500	4000	120-277	60
LL-PBAL-400-50-UNV-T3-BZ	400	60500	5000	120-277	T3
LL-PBAL-400-40-UNV-T3-BZ	400	60500	4000	120-277	T3
LL-PBAL-400-50-UNV-T4-BZ	400	60500	5000	120-277	T4
LL-PBAL-400-40-UNV-T4-BZ	400	60500	4000	120-277	T4
LL-PBAL-400-50-UNV-T5-BZ	400	60500	5000	120-277	T5
LL-PBAL-400-40-UNV-T5-BZ	400	60500	4000	120-277	T5
LL-PBAL-400-50-UNV-N30-BZ	400	60500	5000	120-277	30
LL-PBAL-400-40-UNV-N30-BZ	400	60500	4000	120-277	30
LL-PBAL-400-50-UNV-M60-BZ	400	60500	5000	120-277	60
LL-PBAL-400-40-UNV-M60-BZ	400	60500	4000	120-277	60
LL-PBAL-500-50-UNV-T3-BZ	500	79000	5000	120-277	T3
LL-PBAL-500-40-UNV-T3-BZ	500	79000	4000	120-277	T3
LL-PBAL-500-50-UNV-T4-BZ	500	79000	5000	120-277	T4
LL-PBAL-500-40-UNV-T4-BZ	500	79000	4000	120-277	T4
LL-PBAL-500-50-UNV-T5-BZ	500	79000	5000	120-277	T5
LL-PBAL-500-40-UNV-T5-BZ	500	79000	4000	120-277	T5
LL-PBAL-500-50-UNV-N30-BZ	500	79000	5000	120-277	30
LL-PBAL-500-40-UNV-N30-BZ	500	79000	4000	120-277	30
LL-PBAL-500-50-UNV-M60-BZ	500	79000	5000	120-277	60



LL-PBAL-500-40-UNV-M60-BZ	500	79000	4000	120-277	60
LL-PBAL-600-50-UNV-T3-BZ	600	98000	5000	120-277	T3
LL-PBAL-600-40-UNV-T3-BZ	600	98000	4000	120-277	T3
LL-PBAL-600-50-UNV-T4-BZ	600	98000	5000	120-277	T4
LL-PBAL-600-40-UNV-T4-BZ	600	98000	4000	120-277	T4
LL-PBAL-600-50-UNV-T5-BZ	600	98000	5000	120-277	T5
LL-PBAL-600-40-UNV-T5-BZ	600	98000	4000	120-277	T5
LL-PBAL-600-50-UNV-N30-BZ	600	98000	5000	120-277	30
LL-PBAL-600-40-UNV-N30-BZ	600	98000	4000	120-277	30
LL-PBAL-600-50-UNV-M60-BZ	600	98000	5000	120-277	60
LL-PBAL-600-40-UNV-M60-BZ	600	98000	4000	120-277	60

* Please contact LITELUME for all Custom Option Requests

Accessories Ordering Information

Part #	Description
PBALPM	Pole Mount Square PBAL
PBALPMR	Pole Mount Round PBAL
PBALPMA	Pole Mount Square Adjustable PBAL
PBALPMRA	Pole Mount Round Adjustable PBAL
PBALWMA	Wall Mount Adjustable PBAL
PBALSF	Slipfitter PBAL For 2 3/8" OD
PBALSF3	Slipfitter PBAL For 3" OD
PBALTR	Trunnion Mount PBAL
PBALBLS1	Back Light Shield PBAL 25W - 200W
PBALBLS2	Back Light Shield PBAL 300W - 600W
ANT-5-4B	Sharkward Base Plug And Play Ready
ANT-5-4T	Sharkward 12-24V DC 0-10V Plug And Play Microwave Sensor **Must Order With Ant-5-4b**
ANT-6-4T	Sharkward 12-24V DC 0-10V Plug And Play PIR Sensor **Must Order With Ant-5-4b**
ANT-6-4T-BLE-SR	Sharkward Silvair 12-24V DC 0-10V Plug And Play Bluetooth PIR Sensor **Must Order With Ant-5-4b**
ANT-6-4T-BLE-GE	Homewell GEBC 12-24V DC 0-10V Plug And Play Bluetooth PIR Sensor **Must Order With Ant-5-4b**
BRI823-B-D	Sharkward 120-277V 0-10V PIR Sensor *120-277V Only**
BRI619	Sharkward 12-24V DC 0-10V PIR Sensor **480V**
RC-100	Remote Control 100
AC-EFS106-AUX-W.B1-WH-BL1-2-B	Autani Compatible - Keilton EFS106-AUX-W.B1 Plug And Play Bluetooth Daylight Harvesting And PIR Motion Sensor & WHBL1-2-B Lens LLLC
AC-WPPA102-AUX-W.B1	Autani Compatible - Keilton Plug And Play Bluetooth Long Range Controller Node LLLC
R3	Twist Lock Receptacle 3 Pin
R7	Twist Lock Receptacle 7 Pin
TLPC	Twist Lock Photocell & Receptacle 120-277V
TLPC480	Twist Lock Photocell & Receptacle 480V
SP10277	Surge Protector 10kVA 277V
SP20480	Surge Protector 20kVA 480V
SUB "UNV" WITH "480"	480 Volt For Led Power Box Area Light
SUB "BZ" WITH BK	Black RAL 9011
SUB "BZ" WITH WH	White RAL 9016
SUB "BZ" WITH GY	Grey RAL 7045
SUB "BZ" WITH CUS	Custom Color Specify RAL

* Please contact LITELUME for all Custom Option Requests

