



# Post Top Luminaire Premier



## LL-PTPL

### Post Top Luminaire Premier

The LITELUME™ Post Top Luminaire Premier (LL-PTLP) brings an elegant aesthetic appeal combining beauty and performance with it's fresh urban style. Featuring a die-cast aluminum housing with outstanding corrosion protection. Compact in design low profile dark sky rated with soft light. Suitable for mounting heights of 8-25'.



#### PERFORMANCE DATA

<b>Lumen Output</b>	7,200 - 20,000 lm
<b>Lumens Per Watt (typical)</b>	160 lm/W
<b>CCT - Field Selectable</b>	3000K 4000K 5000K
<b>Lifespan</b>	Features Ultra Efficient Driver with up to 100,000 running hours

#### RATINGS & CERTIFICATES

Title 24 • Dark Sky • UL • Wet Location  
BAA • TAA • 3G Vibration Rated • IP66

#### APPLICATIONS

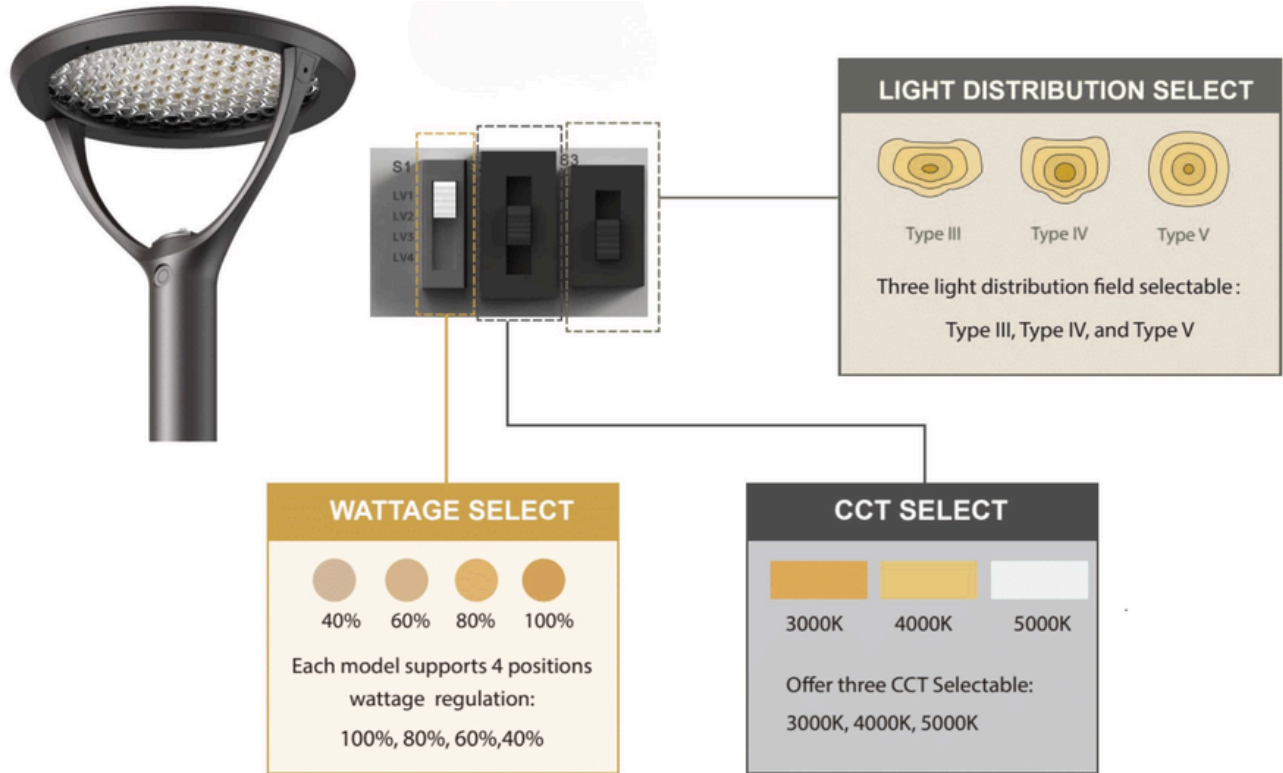
Pathway • Walkway • Municipality  
General Lighting Applications

#### FIXTURE INFORMATION

Size	Housing	Finish	Lens			Mounting	Color	Distribution
52W - 130W	Die-Cast Aluminum	Protective Powder Coat	• UV Polycarbonate • Frosted Diffuser			Tenon fits 2 3/8" - 3" OD	• Black • White • Gray • Bronze • Custom • Dark Green	General: 120° or Type 3/4/5
Voltage	Dimming	Electrical	PF	THD	CRI	EPA Rating	Controls	Warranty
120-277V 480V	Standard: 0-10V 100% - 10%	6kV Surge Protection	.90	<20%	80	0.34 Sq. Ft.	• Synapse • Photocell • Occupancy Sensor	10 Year

**Operating Temperature: -40°F to 104°F**

## FIELD SELECTABLE - CCT, WATTAGE, DISTRIBUTION



## PHOTOCELL





# Post Top Luminaire Premier

## PERFORMANCE DATA - TYPE 3 & TYPE 5 (LL-PTLP-20L-UNV-SCT-SP-SD)

Distribution	Setting	System Watts	3000K		4000K		5000K	
			Lumens	LPW	Lumens	LPW	Lumens	LPW
Type 3 and Type 5	LV1	130W	18000lm	138lm/W	19500lm	150lm/W	18500lm	142lm/W
	LV2	104W	15200lm	146lm/W	16000lm	154lm/W	15500lm	149lm/W
	LV3	78W	12000lm	154lm/W	13000lm	167lm/W	12500lm	160lm/W
	LV4	52W	8500lm	163lm/W	9000lm	173lm/W	8750lm	168lm/W

## PERFORMANCE DATA - TYPE 4 (LL-PTLP-20L-UNV-SCT-SP-SD)

Distribution	Setting	System Watts	3000K		4000K		5000K	
			Lumens	LPW	Lumens	LPW	Lumens	LPW
Type 4	LV1	130W	18500lm	142lm/W	20000lm	154lm/W	19500lm	150lm/W
	LV2	104W	15500lm	149lm/W	16500lm	159lm/W	16000lm	154lm/W
	LV3	78W	12500lm	160lm/W	13500lm	173lm/W	13000lm	167lm/W
	LV4	52W	8700lm	167lm/W	9500lm	183lm/W	9100lm	175lm/W

## PERFORMANCE DATA - 120 DEGREE WITH FROSTED LENS (LL-PTLP-20L-UNV-SCT-SP-F)

Distribution	Setting	System Watts	3000K		4000K		5000K	
			Lumens	LPW	Lumens	LPW	Lumens	LPW
General	LV1	130W	15500lm	119lm/W	16500lm	127lm/W	16000lm	123lm/W
	LV2	104W	12800lm	123lm/W	13500lm	130lm/W	13200lm	127lm/W
	LV3	78W	10500lm	135lm/W	11000lm	141lm/W	10800lm	138lm/W
	LV4	52W	7200lm	138lm/W	7600lm	146lm/W	7400lm	142lm/W



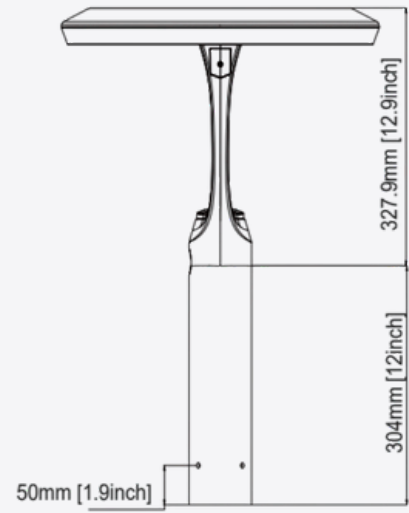
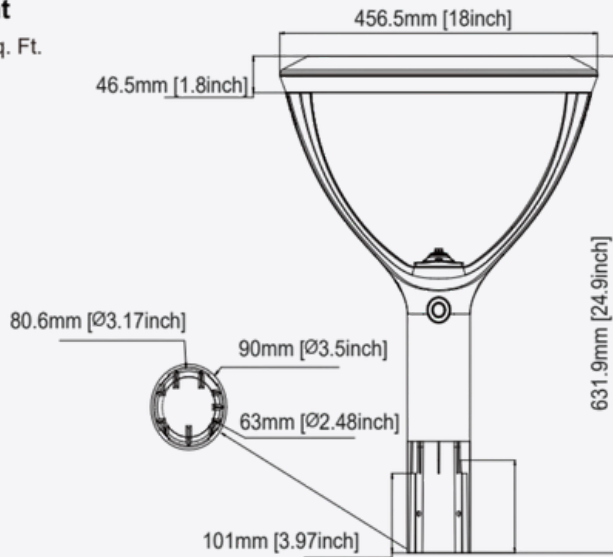
# Post Top Luminaire Premier

## DIMENSIONS

unit:mm/inch

### Pole Mount

EPA: 0.34 Sq. Ft.





# Post Top Luminaire Premier

PROJECT NAME	
CATALOG #	
JOB TYPE	
PREPARED BY	
NOTES	

## ORDERING GUIDE

Brand	Fixture Type	Lumen Package	Voltage	
LL LITELUME	PTLP Post Top Luminaire Premier	20L 20,000 Lumens	UNV 120-277V 480 480V	
CCT	Power	Distribution	Finish	Photocell
SCT Selectable Color Temperature	SP Selectable Power	F General 120 Degree with Frosted Lens SD Selectable Distribution Type 3, 4 or 5	BZ Bronze BK Black WH White GY Gray DGR Dark Green CUS Custom	PC Photocell with On/Off Dip Switch

## Accessories

- ANT-5-4B** Sensor Base Plug and Play Ready
- ANT-6-4T** Sharkward Plug and Play PIR Sensor
- ANT-5-4T** Sharkward Plug and Play Microwave Sensor
- RC-100** Remote Control 100
- ANT-6-4T-BLE-SR** Sharkward Silvairl Plug and Play Bluetooth PIR Sensor
- ANT-6-4T-BLE-GE** Homewell GEBC Plug and Play Bluetooth PIR Sensor
- ANT-6-4T-BLE-SR** Sharkward Silvairl Plug and Play Bluetooth PIR Sensor
- SNV-CS-10-W35J** Synapse SNV-CS-10 Combo Sensor Controller, White 3.5mm Audio
- BAA-PTLP** Buy America Act Compliant for PTLP



## FIXTURE ORDERING INFORMATION

Part #	Watts	Lumens	Kelvin	Voltage	Distribution
LL-PTLP-20L-UNV-SCT-SP-F-BZ-PC	52W/78W/104W/130W	7600/11000/13500/16500	3000K 4000K 5000K	120-277	120 DEGREE FROSTED LENS
LL-PTLP-20L-UNV-SCT-SP-SD-BZ-PC	52W/78W/104W/130W	9500/13500/16500/20000	3000K 4000K 5000K	120-277	SELECTABLE TYPE 3,4 OR 5
LL-PTLP-20L-UNV-SCT-SP-F-BK-PC	52W/78W/104W/130W	7600/11000/13500/16500	3000K 4000K 5000K	120-277	120 DEGREE FROSTED LENS
LL-PTLP-20L-UNV-SCT-SP-SD-BK-PC	52W/78W/104W/130W	9500/13500/16500/20000	3000K 4000K 5000K	120-277	SELECTABLE TYPE 3,4 OR 5
LL-PTLP-20L-UNV-SCT-SP-F-WH-PC	52W/78W/104W/130W	7600/11000/13500/16500	3000K 4000K 5000K	120-277	120 DEGREE FROSTED LENS
LL-PTLP-20L-UNV-SCT-SP-SD-WH-PC	52W/78W/104W/130W	9500/13500/16500/20000	3000K 4000K 5000K	120-277	SELECTABLE TYPE 3,4 OR 5
LL-PTLP-20L-UNV-SCT-SP-F-GY-PC	52W/78W/104W/130W	7600/11000/13500/16500	3000K 4000K 5000K	120-277	120 DEGREE FROSTED LENS
LL-PTLP-20L-UNV-SCT-SP-SD-GY-PC	52W/78W/104W/130W	9500/13500/16500/20000	3000K 4000K 5000K	120-277	SELECTABLE TYPE 3,4 OR 5

## ACCESSORIES ORDERING INFORMATION

Part #	Description
ANT-5-4B	Sensor Base Plug and Play Ready
ANT-6-4T	Sharkward Plug and Play PIR Sensor
ANT-5-4T	Sharkward Plug and Play Microwave Sensor
RC-100	Remote Control 100
ANT-6-4T-BLE-SR	Sharkward Silvairl Plug and Play Bluetooth PIR Sensor
ANT-6-4T-BLE-GE	Homewell GEBC Plug and Play Bluetooth PIR Sensor
ANT-6-4T-BLE-SR	Sharkward Silvairl Plug and Play Bluetooth PIR Sensor
SNV-CS-10-W35J	Synapse SNV-CS-10 Combo Sensor Controller, White 3.5mm Audio
BAA-PTLP	Buy America Act Compliant for PTLP