

LL-BL350ICATLEDNND-QN



LL-BL350ICATLEDRND-Q

## Description

3.5" LED Dedicated Cans

## Features:

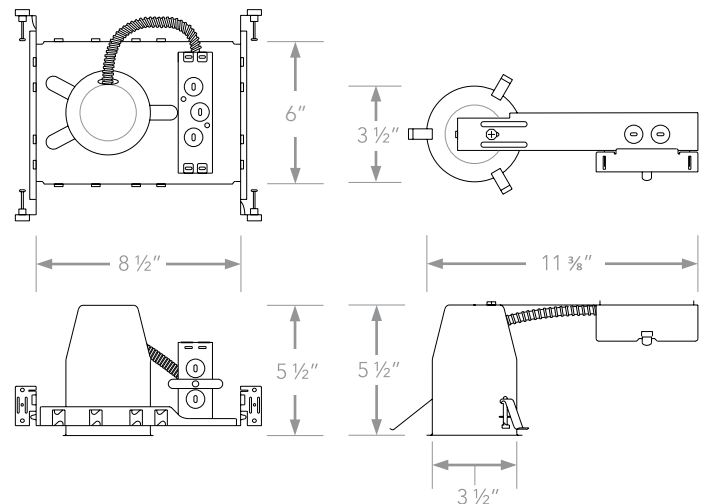
- Dedicated housings for most 3.5" LED trims (compatible with BRK-LED350).
- Suitable for new construction and remodel applications.
- Galvanized steel construction.
- Features seven 1/2" NPT knockouts.
- Removable new construction housing for easy access to j-box.
- 2-pin quick connector.
- Bar hangers for use with new construction models are adjustable from 13.6" to 25".
- Remodel cans come standard with torsion clips (4) to secure to ceiling. Accommodates 0.5" and 0.6" ceilings.
- Pre-installed nail on new model cans allow for easy install.
- Easy installation in new construction or retrofit applications. Remodel equipped with torsion springs.
- This device is not intended for use with emergency exits

## Warranty/Listing:

- cULus listed for damp locations
- Title 24 compliant
- Certified under ASTM E283 for airtight construction (new construction models only).
- 10-year warranty of all electronics and housing.



## Dimensions:





<b>Project Name</b>	
<b>Catalog #</b>	
<b>Job Type</b>	
<b>Prepared By</b>	
<b>Notes</b>	

## Cans Ordering Information

<b>Model</b>	<b>Description</b>
LL-BL350ICATLEDNND-QN	3.5" Dedicated LED IC Housing For New Construction Applications
LL-BL350ICATLEDRND-Q	3.5" Dedicated LED IC Housing For Remodel Applications