



Bluetooth Passive Infrared Sensor

Works with



Description

The Tuya Bluetooth Fixture Sensor is designed for indoor applications such as office, school. Integrated sensors capture data that is both processed locally and transmitted over the Tuya network, enabling a full suite of applications. In addition, the sensor supports Bluetooth® Low Energy communication with tags and other BLE devices.

Overview

The Bluetooth Fixture Sensor is a complete sensing and lighting control node powered from its attached light fixture. Sensor information combined with a configurable behavior profile makes the fixture sensor an integral component of an intelligent lighting control and sensing solution. With integrated wireless communications for data transmission and remote configuration as well as autonomous fixture-level control, this sensor brings advanced lighting automation to a whole new level.

Features and Benefits

Sharkward Fixture Sensor DLC: Meet DLC 5.2 Networked Lighting Control System.

Localized Lighting Control: Light-level schedules, preferences, and profiles for each fixture are wirelessly communicated at system setup and stored for continuous operation.

Bluetooth Low Energy: An embedded BLE radio allows the sensor to receive and transmit beacons as well as support communication with lighting control devices and other sensors.

Occupancy/Vacancy/Manual: A digital Passive Infrared (PIR) sensor combined with ambient with 3 different modes as options.

Daylight Harvesting: Captured ambient light information is locally processed to raise and lower light levels based on available daylight.

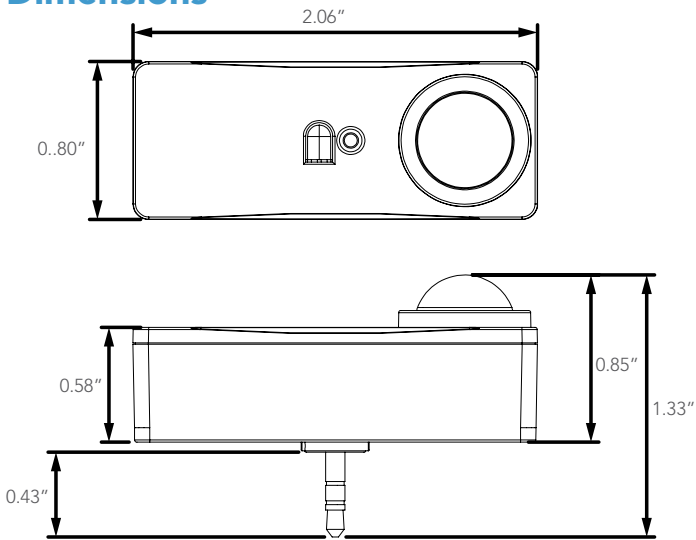
Occupancy/Vacancy/Manual: Pairs with room switches for code-compliant manual-on or auto-off capability. Sensors can be grouped into zones that share occupancy sensing data and coordinate light control based on detected motion.

Technical Data

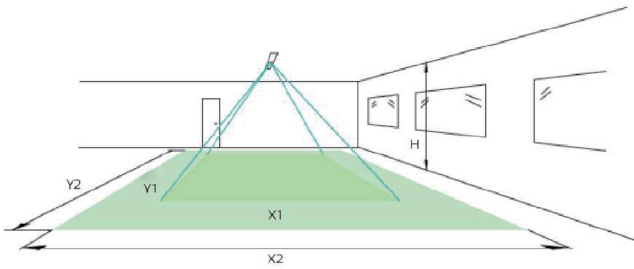
Motion Sensor	Passive infrared sensor
Input Power	12-24VDC, >50mA
Control Output	0-10V, max 25mA sinking current
Mounting Height	12ft Max
Detection Angle	360°
Operating Temperature	-20°C~60°C
IP Rating	20
Wireless Standards	5.0 Bluetooth Mesh



Dimensions



Occupancy Detection Overlap



Height	Minor Movement		Major Movement	
	Y1	X1	Y2	X2
8'	10'	9'	15'	9'
10'	12'	11'	18'	12'

Note: Longer dimension of detection area (Y1,Y2) is parallel to longer dimension.



Project Name	
Catalog #	
Job Type	
Prepared By	
Notes	

Ordering Information

Part #	Description
ANT-1P-4T-BLE	Sharkward Tuya 12-24V DC 0-10V Plug And Play Bluetooth PIR Sensor