



Description

The NWTL-111 is a distributed-intelligence wireless control node designed to replace standard photocell modules on outdoor lighting fixtures. It connects to a 7-pin twist-lock receptacle compliant with NEMA standard C136.41 to provide ON/OFF and dimming control. The BULIT also connects to a Legrand Wireless Network Manager via a robust and scalable self-healing wireless IP network.

Specifications

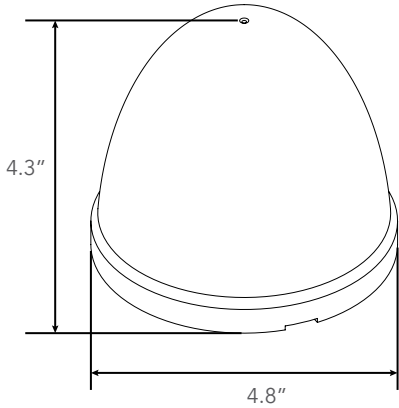
- Operating voltage: 120/277/347VAC, single phase or 208/240/480VAC dual phase; 50/60Hz
- Power consumption: <2 Watts
- Radio: 2.4 GHz IEEE 802.15.4
- Up to 1000' range between nodes
- IPEX connector, internal antenna
- 128-bit AES encryption
- On/Off/Dim (0–10V)
- Power monitoring data from smart meter IC available to Wireless Network Manager
 - RMS voltage
 - RMS current
 - Active power
 - Power factor
 - Frequency
- Sensor Output Current: up to 15mA @ 24VDC
- Operating conditions: -40 to 158°F (-40 to 70°C)
- IP 53 rated (requires vertical mounting, with twist-lock plug at bottom of device)
- FCC part 15 compliant
- UL and cUL listing pending; UL 773 for outdoor use
- 5 year warranty

Features

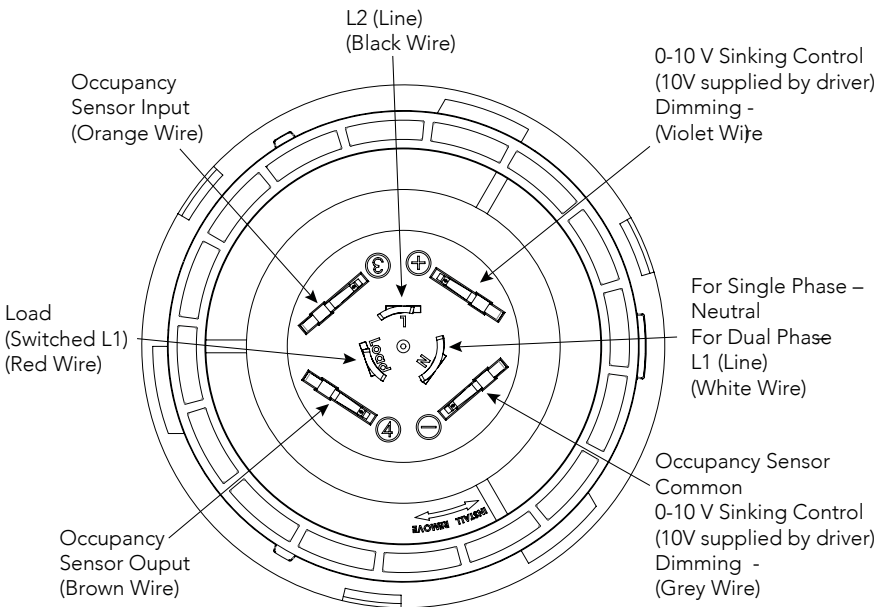
- Simple plug and play setup with minimal configuration required
- Integral real time clock
- Internal calendar schedule for stand alone operation in case of network interruption
- Supports flexible grouping for zone control, including the ability to make simple post installation changes
- Compliant with NEMA standard ANSI C136.41-2013 for twist-lock connectors with dimming control
- AES 128-bit encrypted payload protection provides secure data delivery
- Simplifies energy code compliance for multi-level lighting requirements
- Supports Wattstopper 24VDC fixture sensors for dimming



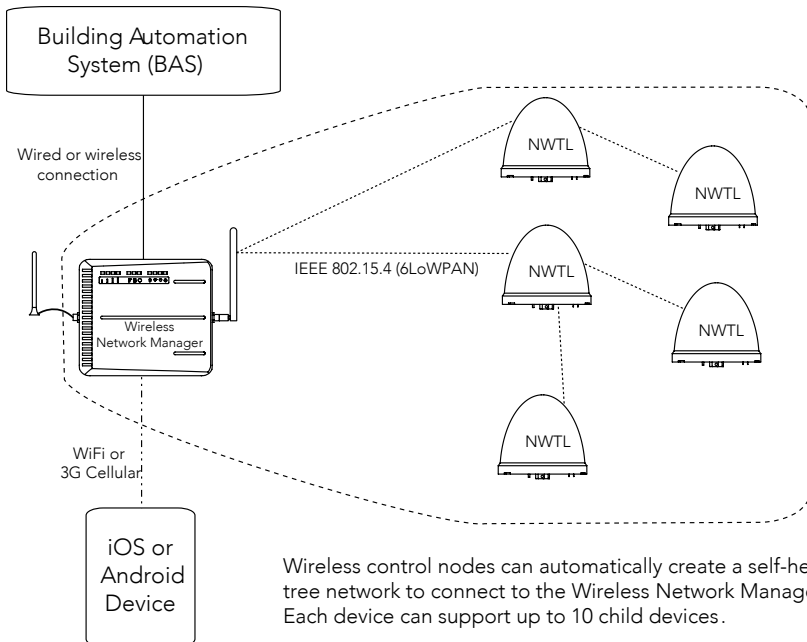
Dimensions



Connector Wiring



Connector Wiring



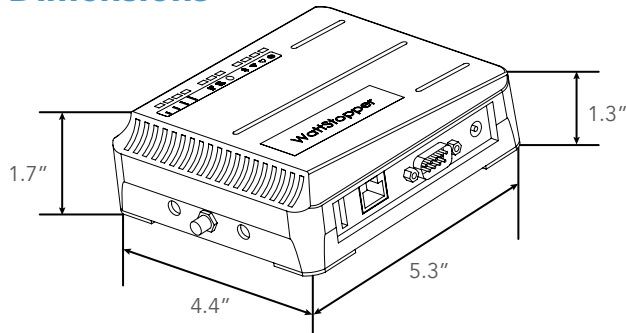


Wireless Network Manager/Supervisor

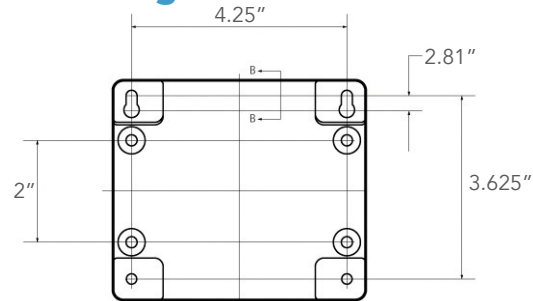
The Wireless Network Manager and Supervisor are scalable hardware and software designed to manage exterior lighting control networks. A network consists of at least one wireless control node, such as the NWTL-111, and a Network Manager. Networks can be expanded by adding nodes, and, if needed, more managers. Network Supervisor software can coordinate control of multiple managers, and provide long term datastorage. Supervisor licenses run on Windows or Unix servers



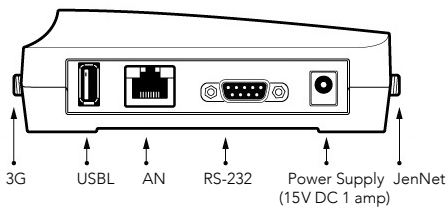
Dimensions



Mounting



Network Manager



225CWS connectors and ports



Project Name	
Catalog #	
Job Type	
Prepared By	
Notes	

Ordering Information

Part #	Description
NWTL111	Wattstopper NWTL-111 Built In Wireless Control Node
WNM	Wattstopper Wireless Network Manager For NWTL-111 Built In Wireless Control Node

* Please contact LITELUME for all Custom Option Requests