



# Post Top Flat Round Luminaire



\*Not all product variations listed on this page are DLC qualified. Visit [www.designlights.org/search](http://www.designlights.org/search) to confirm qualification



## Description

The LITELUME™ Post Top Flat Round Luminaire (LL-PTFR) combines style, performance and adjustability, with all of the optional accessories needed for site lighting. Featuring a die-cast aluminum housing with outstanding corrosion protection, and secondary UV resistant polycarbonate optics. The PTFR provides an aesthetically pleasing addition to any walkway, park, downtown corridor or parking lot with its steady well-defined construction. The highly functioning optics and adjustability provide maximum distribution to make the PTFR a premier choice for outdoor area lighting.

## Fixture Information

Size:	40W/50W/60W/80W/100W/120W/135W/150W
Housing:	Die-cast aluminum housing
Finish:	Protective powdercoat
Color:	Standard: Bronze, Black Optional: Custom Options Available
Mounting:	Standard: Tenon fits 3" standard OD Optional: Custom Options Available
Power Factor:	>.95
CRI:	80
Voltage:	Standard: 120-277V Optional: 208-480V
Sensor:	Standard: No sensor, comes with Plug and Play "sensor ready" audio jack, and 3 pin twist lock receptacle & shorting cap.
Warranty:	10-Year Limited Warranty

## Performance Data

### Lumen Output:

4200 to 21000 lm

### Lumens Per Watt (typical):

140 lm/W

### CCT:

3000K  
4000K  
5000K

### Distribution:

Type V

### Lifespan:

Features 2835 SMD with up to 74,000 running hours.

## Ratings & Certificates

UL Listed for wet locations  
IP65

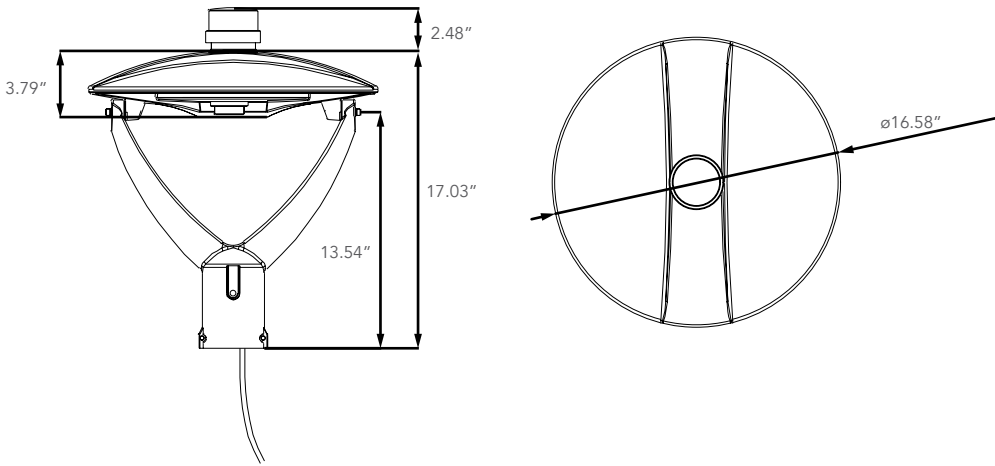
DLC Premium Listed  
Title 24 Compliant





## Dimensions

Item	Height	Diameter
Post Top Flat Round	17.03"	16.58"



## Accessories

### Standard Accessories Available

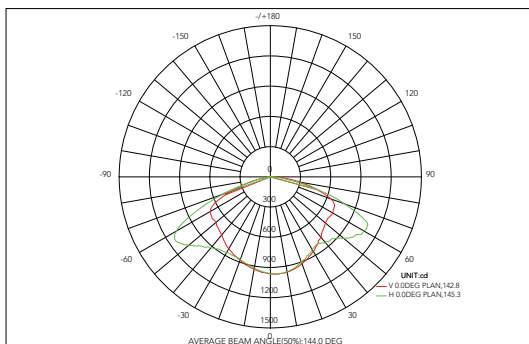


### Custom Accessories Available

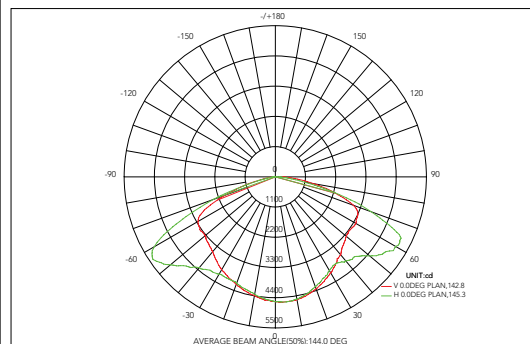


## Photometric Data

### 60W



### 150W





<b>Project Name</b>	
<b>Catalog #</b>	
<b>Job Type</b>	
<b>Prepared By</b>	
<b>Notes</b>	

### Fixture Ordering Information

Part #	Wattage	Lumens	Kelvin	Voltage	Type Distribution
LL-PTFR-[40][50][60]-3CCT-UNV-T5-BZ	40W / 50W / 60W	5600/7000/8400	3000K 4000K 5000K	120-277	TYPE 5
LL-PTFR-[40][50][60]-3CCT-UNV-T5-BK	40W / 50W / 60W	5600/7000/8400	3000K 4000K 5000K	120-277	TYPE 5
LL-PTFR-[60][80][100]-3CCT-UNV-T5-BZ	60W / 80W / 100W	8400/11200/14000	3000K 4000K 5000K	120-277	TYPE 5
LL-PTFR-[60][80][100]-3CCT-UNV-T5-BK	60W / 80W / 100W	8400/11200/14000	3000K 4000K 5000K	120-277	TYPE 5
LL-PTFR-[120][135][150]-3CCT-UNV-T5-BZ	120W / 135W / 150W	16800/18900/21000	3000K 4000K 5000K	120-277	TYPE 5
LL-PTFR-[120][135][150]-3CCT-UNV-T5-BK	120W / 135W / 150W	16800/18900/21000	3000K 4000K 5000K	120-277	TYPE 5

\* Please contact LITELUME for all Custom Option Requests

### Accessories Ordering Information

Part #	Description
ANT-5-4T	Sharkward 12-24V DC 0-10V Plug And Play Microwave Sensor
ANT-6-4T	Sharkward 12-24V DC 0-10V Plug And Play PIR Sensor
ANT-6-4T-BLE-SR	Sharkward Silvair 12-24V DC 0-10V Plug And Play Bluetooth PIR Sensor
ANT-6-4T-BLE-GE	Homewell Gebc 12-24V DC 0-10V Plug And Play Bluetooth PIR Sensor
RC-100	Remote Control 100
AC-EFS106-AUX-W.B2-WHBL1-2-B	Autani Compatible - Keilton EFS106-AUX-W.B2 Plug And Play Bluetooth PIR Motion Sensor IP66 & WHBL1-2-B Lens LLLC
TLPC	Twist Lock Photocell & Receptacle 120-277V
CAM	WIFI CCT Camera

\* Please contact LITELUME for all Custom Option Requests