



Decorative Aluminum Luminaire Mounting Device & Arms

Made in USA - Delaware

LL-DE-DA-LMD

Luminaire Mounting Device & Arms

Mounting device knuckle mount that accepts 2.5" round plumbizer pendant for Pendant mounted luminaires with optional arms to choose from. Arms slide over to fit 2 3/8" OD round horizontal Oriented tenons and are secured with (6) Set Screws. Arms are constructed out of cast aluminum.



STYLES

LMD-QPPMD002RD	LMD-QPPMD001SQ-BA	LMD-QPPMD001SQ

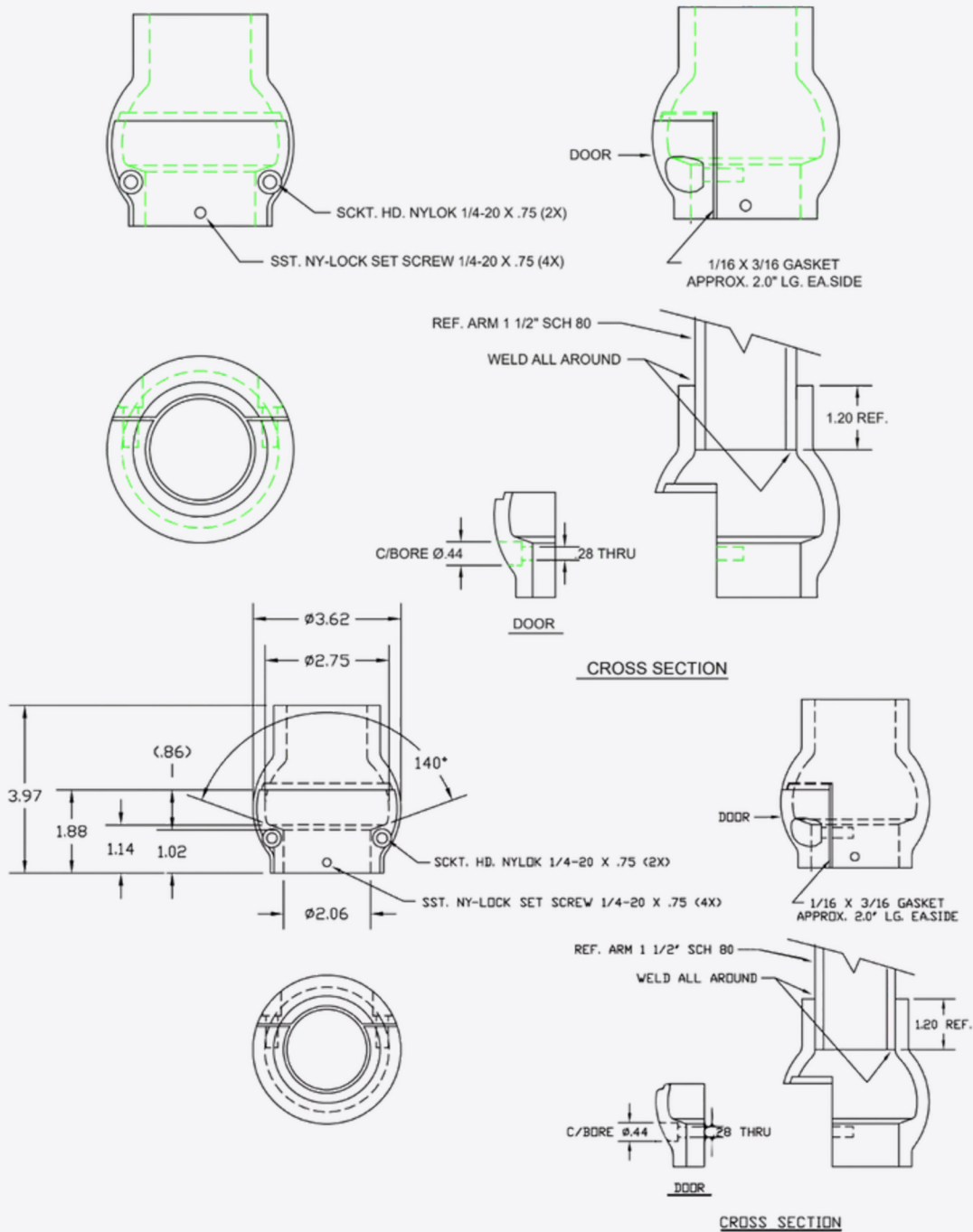


Decorative Aluminum Luminaire Mounting Device & Arms

Made in USA - Delaware

DIMENSIONS

DE-DA-LMD



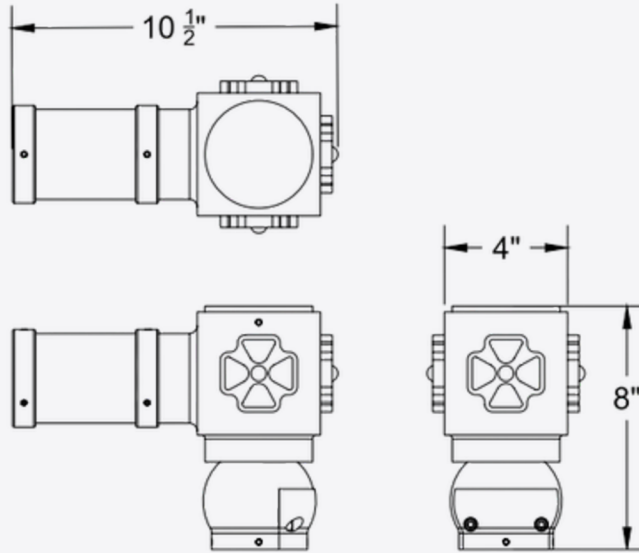


Decorative Aluminum Luminaire Mounting Device & Arms

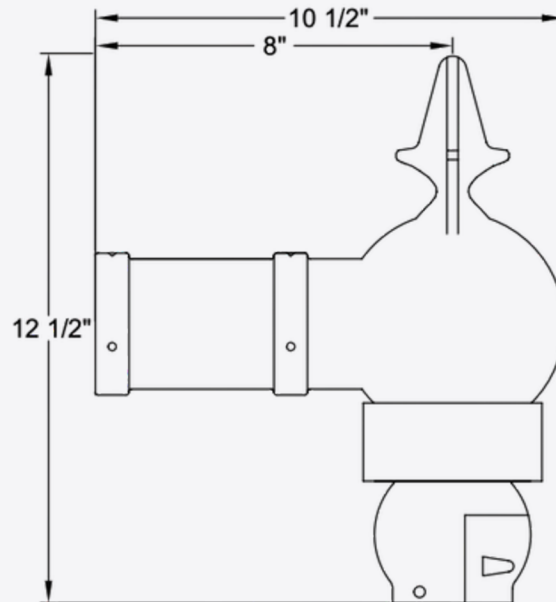
Made in USA - Delaware

DIMENSIONS

LMD-QPPMD001SQ



LMD-QPPMD003CF



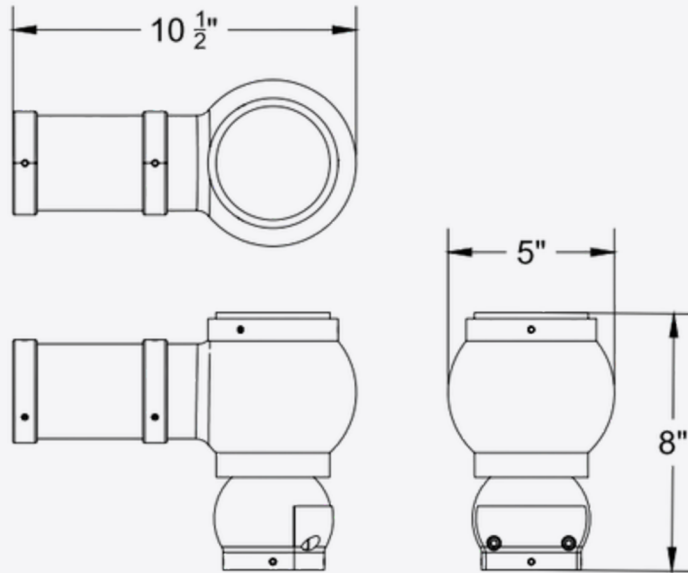


Decorative Aluminum Luminaire Mounting Device & Arms

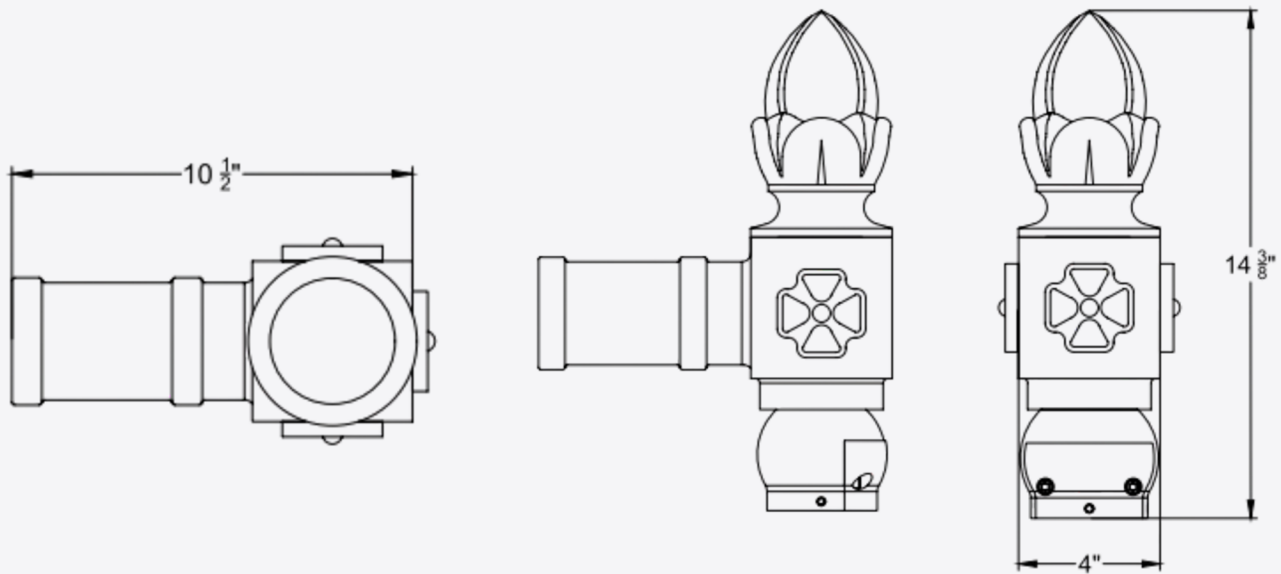
Made in USA - Delaware

DIMENSIONS

LMD-QPPMD002RD



LMD-QPPMD001SQ-AC





Decorative Aluminum Luminaire Mounting Device & Arms

Made in USA - Delaware

PROJECT NAME	
CATALOG #	
JOB TYPE	
PREPARED BY	
NOTES	

ORDERING GUIDE

Brand	Location	Type	Style
LL LITELUME	DE Delaware	DA Decorative Aluminum	LMD Luminaire Mounting Device Knuckle Mount to Accept 2.5" Round Plumbizer Pendant Fixture

Model	Finish
<p>Blank None (LMD Only)</p> <p>QPPMD001SQ Mounting Arm Square Casting</p> <p>QPPMD002RD Mounting Arm Round Casting</p> <p>QPPMD001SQ-BA Mounting Arm Square Casting Ball Finial</p> <p>QPPMD002RD-BA Mounting Arm Round Casting Ball Finial</p> <p>QPPMD001SQ-AC Mounting Arm Square Casting Acorn Finial</p> <p>QPPMD002RD-AC Mounting Arm Round Casting Acorn Finial</p> <p>QPPMD003CF Mounting Arm Round Casting with Integrated Finial</p> <p>QPPMD001SQ-PCR3 Mounting Arm Square Casting 3-Pin Twist Lock Receptacle **</p> <p>QPPMD002RD-PCR3 Mounting Arm Round Casting 3-Pin Twist Lock Receptacle **</p> <p>QPPMD001SQ-PCR7 Mounting Arm Square Casting 7-Pin Twist Lock Receptacle **</p> <p>QPPMD002RD-PCR7 Mounting Arm Round Casting 7-Pin Twist Lock Receptacle **</p> <p><i>** Photocell Not Included</i></p>	<p>BK Black Powder Coat</p> <p>WH White Powder Coat</p> <p>DBZ Dark Bronze Powder Coat</p> <p>DGR Dark Green Powder Coat</p> <p>GY Gray Powder Coat</p> <p>CUS Custom *</p> <p><i>* Provide RAL # or Sample Color Chip</i></p>