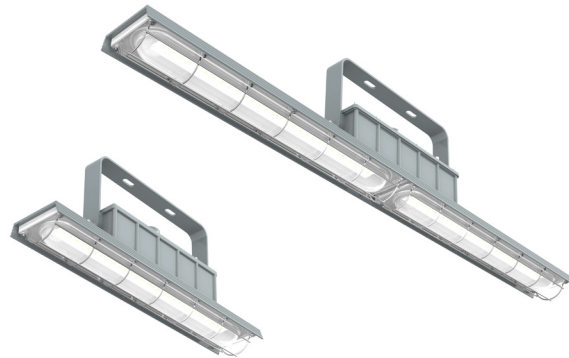




# Linear H2/H4 Hazardous Location



## Description

The Litelume Linear H2/H4 Hazardous Location (LL-LH2HL/LL-LH4HL) Class 1, Division 2 series luminaire is available with a heavy duty impact resistant polycarbonate lense and comes in 2' and 4' lengths. Designed to replace HID lighting systems up to 250w MH or HPS. Typical lighting applications include industrial facilities, oil, gas, painting facilities, and auto service facilities. Mounting heights of 18 to 30 feet can be used based on light level and uniformity requirements.

## Fixture Information

|                  |   |
|------------------|---|
| Size:            | 20W/40W/60W/80W                                       |
| Housing:         | Die-cast Aluminum Housing                             |
| Finish:          | Powder Coat Finish Over a Chromate Conversion Coating |
| Color:           | Standard: Grey  |
| Mounting:        | Surface Mount   |
| Lens:            | High Impact Resistant PC                              |
| CRI:             | 80  |
| Dimming:         | Standard: 0-10V                                       |
| Temperature:     | -40°F to 140F   |
| Voltage:         | Standard: 120-277V<br>Optional: 277-480V              |
| Power Factor:    | >.90  |
| Surge Protector: | 6 kVA   |
| Warranty:        | 10-Year Limited Warranty                              |

## Performance Data

### Lumen Output:

2,660 to 11,200 lm

### Lumens Per Watt (typical):

124 to 130 lm/W

### CCT:

4000K  
5000K

### Lifespan:

Features Meanwell Driver & up to 100,000 running hours

## Ratings & Certificates

### Marking ATEX

II3 G Ex ec IIC T5/T6 Gc  
II2 D Ex tb IIIC T80/100°C Db IP66

### Marking IECEx

Ex ec IIC T5/T6 Gc  
Ex tb IIIC T80/100°C Db IP66

### Marking UL844 (North American)

Class I, Division 2, Groups A, B, C, D Class II,  
Division 1, Groups E, F, G Class II, Division 2,  
Groups F, G Class III

### Marine Marking

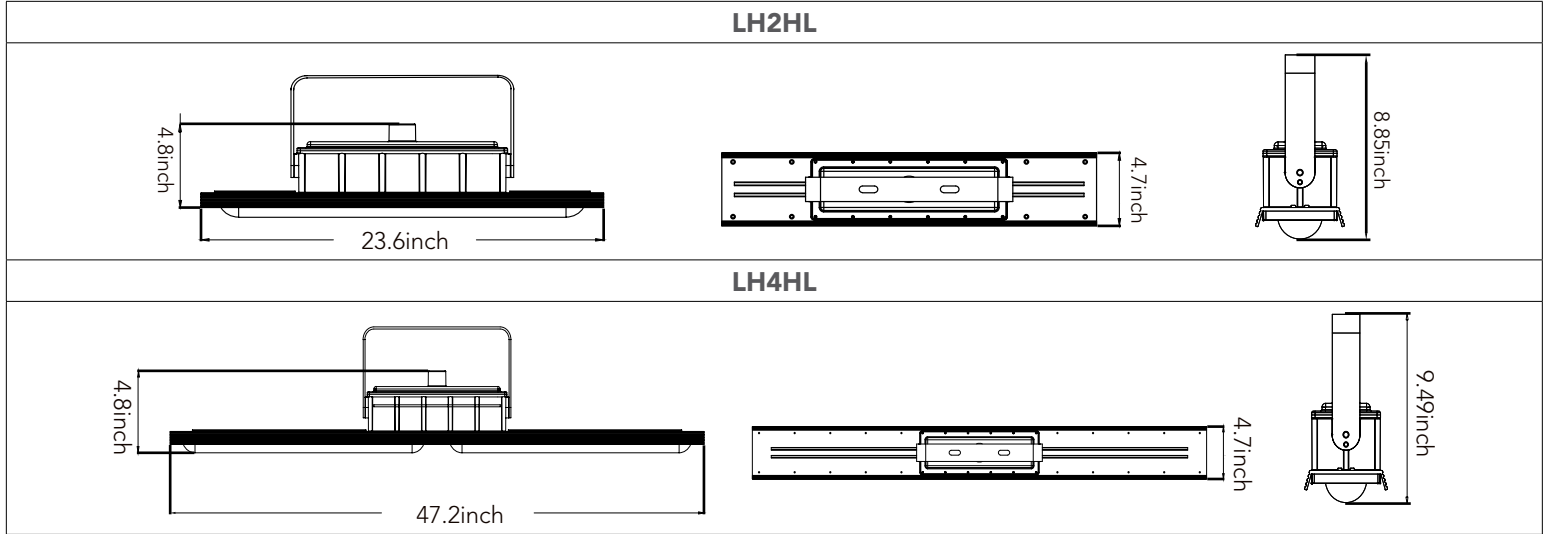
UL 1598  
UL1598A  
ABS

IP66



### Dimension

| Item  | Height | Width | Length |
|-------|--------|-------|--------|
| LH2HL | 8.85"  | 4.7"  | 23.6"  |
| HL4HL | 9.49"  | 4.7"  | 47.2"  |





|                     |  |
|---------------------|--|
| <b>Project Name</b> |  |
| <b>Catalog #</b>    |  |
| <b>Job Type</b>     |  |
| <b>Prepared By</b>  |  |
| <b>Notes</b>        |  |

### Fixture Ordering Information

| Part #                | Wattage | Lumens | Kelvin | Voltage  |
|-----------------------|---------|--------|--------|----------|
| LL-LH2HL-20-50-UNV-GY | 20      | 2800   | 5000   | 120-277V |
| LL-LH2HL-20-40-UNV-GY | 20      | 2660   | 4000   | 120-277  |
| LL-LH2HL-40-50-UNV-GY | 40      | 5600   | 5000   | 120-277  |
| LL-LH2HL-40-40-UNV-GY | 40      | 5320   | 4000   | 120-277  |
| LL-LH4HL-40-50-UNV-GY | 40      | 5600   | 5000   | 120-277  |
| LL-LH4HL-40-40-UNV-GY | 40      | 5320   | 4000   | 120-277  |
| LL-LH4HL-60-50-UNV-GY | 60      | 8400   | 5000   | 120-277  |
| LL-LH4HL-60-40-UNV-GY | 60      | 7980   | 4000   | 120-277  |
| LL-LH4HL-80-50-UNV-GY | 80      | 11200  | 5000   | 120-277  |
| LL-LH4HL-80-40-UNV-GY | 80      | 10640  | 4000   | 120-277  |

### Accessories Ordering Information

| Part #              | Description  |
|---------------------|--|
| SUB "UNV" WITH "HV" | 277-480 Volt   |
| EM15X               | Emergency Battery Back Up 15W Exclusive <b>**120-277V ONLY**</b> |

\* Please contact LITELUME for all Custom Option Requests