



Description

Wet Location Remote Capable LED Emergency Unit

Illumination:

- Sealed and gasketed weatherproof lamp heads with high performance chrome-plated metallized reflector and tempered glass lenses for optimal light distribution.
- Long lasting efficient ultra bright white LED lamp heads.
- 1.875W (15 LEDs x 0.125) per head.

Electrical:

- Dual 120/277 voltage standard
- Charge rate/power "ON" LED indicator light and magnetic test switch for mandated code compliance testing.
- 9.6V long life, maintenance-free, rechargeable NiCd battery.
- Internal solid-state transfer switch automatically connects the internal battery to LED lamp heads for minimum 90-minute emergency illumination.
- Fully automatic solid-state, two-rate charger initiates battery charging to recharge a discharged battery in 24 hours.
- Remote capacity of 3.7W standard in operating temperatures of 0°C – 50°C.

Mounting:

- External mounting brackets for simplified wall mounting.
- Knockout for conduit applications.

Housing:

- Corrosion-resistant 5VA flame retardant UV-stabilized polycarbonate in gray or black finish.
- Sealed and gasketed housing with hinged cover.
- Sealed test switch.

Options:

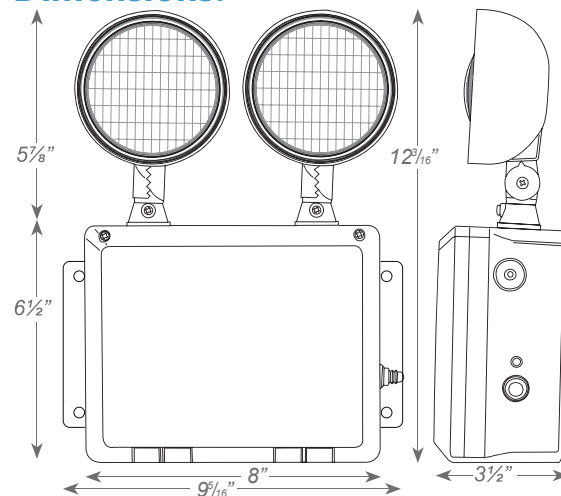
- CEC: Certified to CEC under Title 20 Regulations

Warranty/Listing:

- Seven year warranty on all electronics and housing. Battery prorated for two years.
- Meets UL924, NFPA 101 Life Safety Code, NEC, OSHA, Local and State Codes.
- UL listed for wet locations (-20°C – 50°C).



Dimensions:





Project Name	
Catalog #	
Job Type	
Prepared By	
Notes	

Fixture Ordering Information

Model	Housing Color		Options	
LL-LEDTFX2	Blank B	Gray Black	CEC	Title 20 compliant