

LED Center Basket Volumetric Troffer Retrofit Kit



⚠ Warning

PLEASE READ ALL INSTRUCTIONS BEFORE ATTEMPTING INSTALLATION

1. To reduce the risk of death, personal injury or property damage from fire, electric shock, falling parts, cuts/abrasions, and other hazards read all warnings and instructions included with and on the fixture box and all fixture labels.
2. Before installing, servicing, or performing routine maintenance upon this equipment, follow these general precautions.
3. Commercial installation, service and maintenance of luminaires should be performed by a qualified licensed electrician.
4. For the installation: If you are unsure about the installation or maintenance of the luminaires, consult a qualified licensed electrician and check your local electrical code.
5. To prevent wiring damage or abrasion, do not expose wiring to edges of sheet metal or other sharp objects.
6. Do not make or alter any open holes in an enclosure of wiring or electrical components during kit installation.
7. Turn off electrical power at fuse or circuit breaker box before wiring fixture to the power supply.
8. Turn off the power when you perform any maintenance.
9. Verify that supply voltage is correct by comparing it with the luminaire label information.
10. All wiring connections should be capped with UL approved wire connectors

⚠ Caution

- Avoid direct eye exposure to the light source while it is on.
- Account for small parts and destroy packing material, as these may be hazardous to children.
- Risk of burn. Disconnect power and allow fixture to cool before changing bulb or handling fixture.

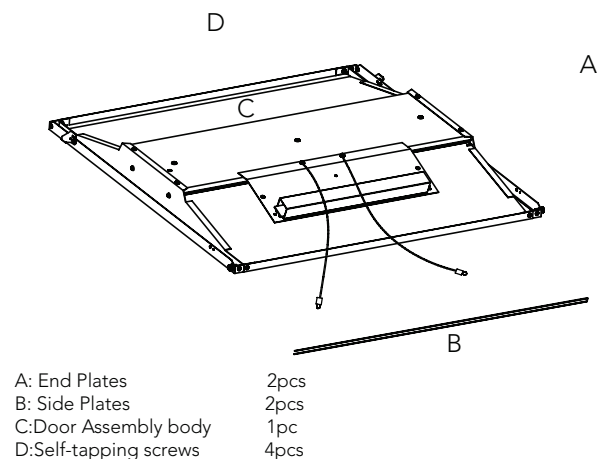
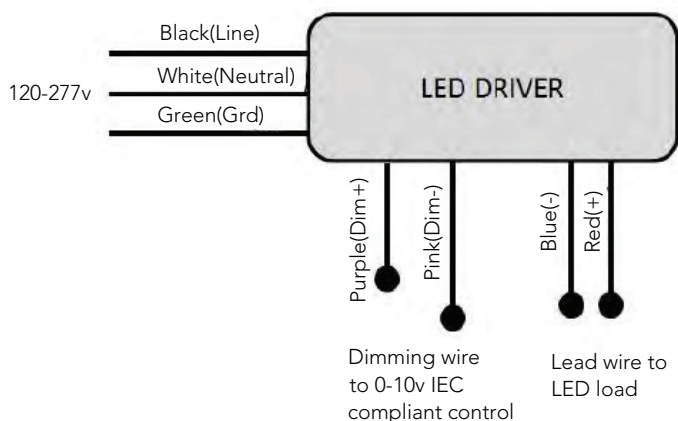
NOTICE: Green ground screw provided in proper location. Do not relocate.

NOTICE: Minimum 90° supply conductors

NOTICE: Specifications and dimensions subject to change without notice.

NOTICE: Suitable for Dry or Damp location, Type IC

General Wiring Diagram



LED Center Basket Volumetric Troffer Retrofit Kit



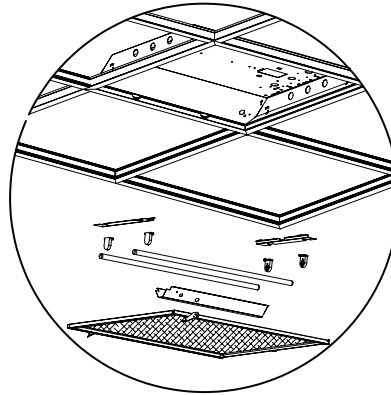
Installation Instructions

The existing fluorescent luminaires housing shall be larger than dimensions described in below table:

Housing Designation	Overall Inner Dimensions
2'x2'	610mm x 608mm x 78mm high
2'x4'	1220mm x 608mm x 78mm high
1'x4'	1220mm x 305mm x 78mm high

1. Prior to installation, disconnect all incoming power to fixture. Remove existing hardware (lens/lens frame, parabolic louver, reflectors/ballast covers, brackets, lamps/lamp holders). Leave supply and grounding leads. (Fig.1)

Figure 1



NOTE: Follow all federal and local regulations when disposing of lamps and removed components.

2. Install LED panel end brackets to each end of the existing fixture by gently lifting it and placing LED panel end brackets between the fixture and T-grid.

3. If you are not pleased with the gap between the fixture and T-grid, you may install LED panel side brackets between the fixture and T-grid, there are two tabs to allow for placing the side brackets into the slot of end brackets. (Fig.2)

Figure 2

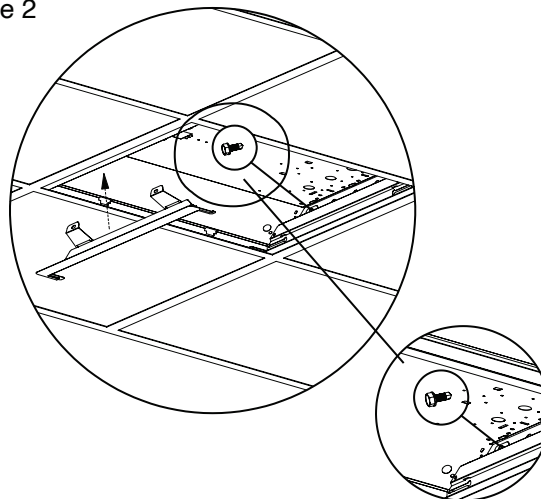


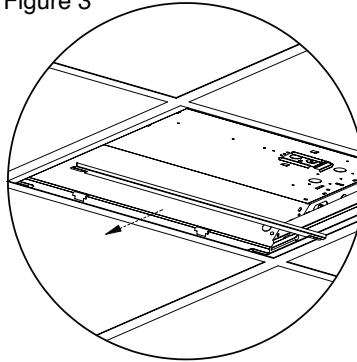
Figure 2A

LED Center Basket Volumetric Troffer Retrofit Kit



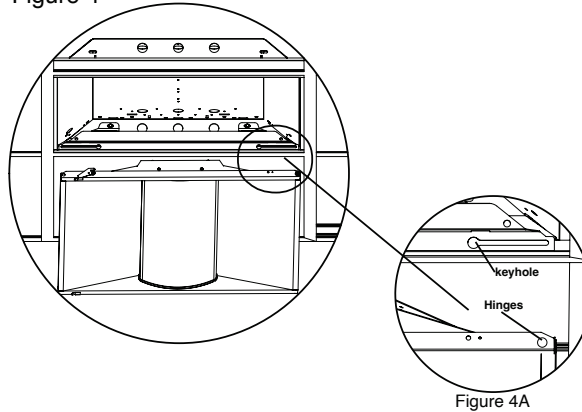
4. Secure the LED panel brackets to the existing fixture using the provided #8x1/2" self-drilling screws. (Fig.3)

Figure 3



5. Locate the door assembly body onto the keyholes of end brackets, and then slide the door assembly body horizontally to the end of slots. (Fig.4)

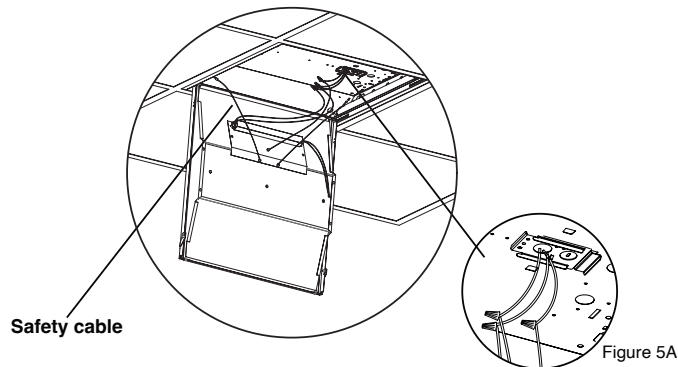
Figure 4



6. Hook the safety cables into the holes positioned the end brackets.

7. Use the provided wire caps to connect the wire leads of the troffer kits to the main power leads. (Black-Live, White-Neutral, Green-Grounding) (Fig.5)

Figure 5

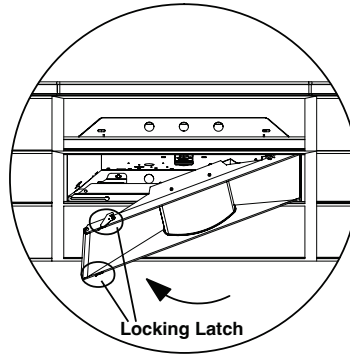


8. Secure the door assembly body by lock the latches riveted on each end of the assembled door frame. (Fig.6)

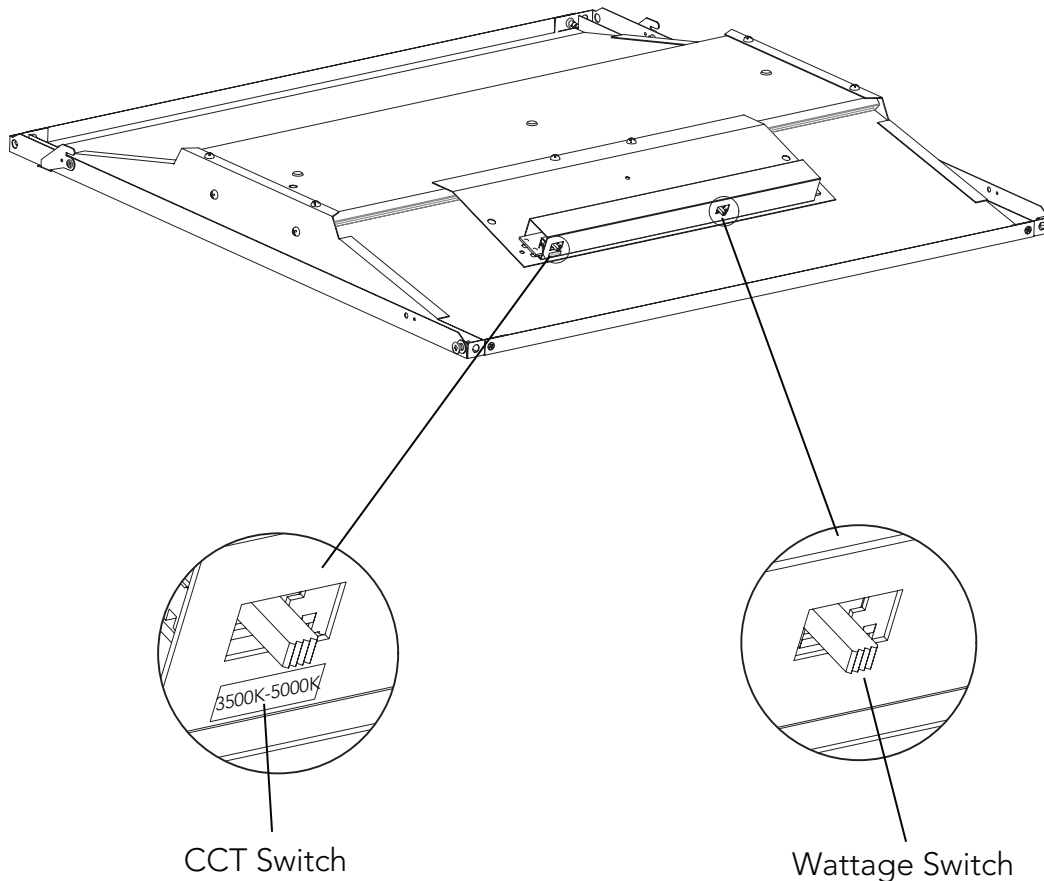
LED Center Basket Volumetric Troffer Retrofit Kit



Figure 6



Field-Adjustable Wattage & CCT



The end users may adjust the color temperature and lumen output respectively by the two DIP switch. Each DIP switch is accommodated with 3 options (left, middle and right), corresponding to 3 color temperatures and 3 powers respectively, which can perform the desired color temperature and lumen output combination.

1. DIP switches are located onto the side of the fixture.
2. Select a wattage and color temperature by sliding switch left or right respectively to the desired value.