



Description

New York City Approved Emergency Unit

Illumination:

- Adjustable, glare-free PAR-Type lamp heads with 9W (on 6V models) and 12W (on 12V models) incandescent lamps.
- Field installable third lamp head included with the 27W and 50W models.

Electrical:

- Dual 120/277 voltage.
- Remote capacity of 14W standard on the 12V 3-head model
- Charge rate/power "ON" LED indicator light and push-to-test switch for mandated code compliance testing.
- 6V maintenance-free, rechargeable sealed lead acid battery.
- Internal solid-state transfer switch automatically connects the internal battery to lamp heads for minimum 90-minute emergency illumination.
- Fully automatic solid-state, two rate charger initiates battery charging to recharge a discharged battery in 24 hours.

Mounting:

- Knockouts on the back for wall mount.
- Side and top knockouts for conduit feed applications.

Housing:

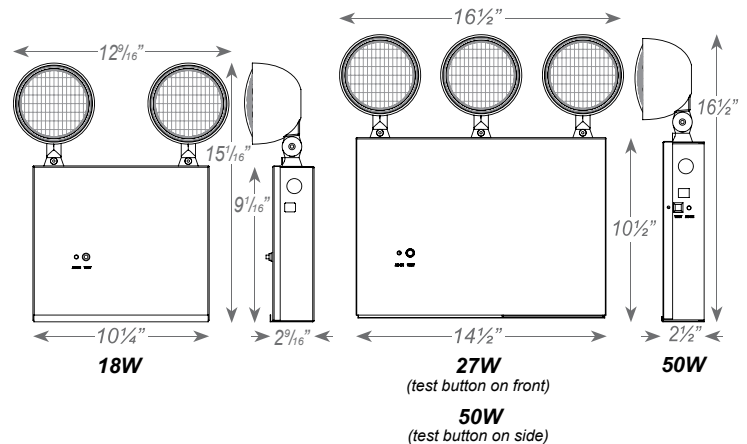
- Durable powder-coated 20-gauge steel construction in white or black finish.
- Injection-molded engineering grade high-impact thermoplastic heads.

Warranty/Listing:

- Seven year warranty on all electronics and housing. Battery prorated for two years.
- Meets UL924, NFPA 101 Life Safety Code, NEC, OSHA, Local and State Codes.
- UL Listed for dry locations (25°C).



Dimensions:





Project Name	
Catalog #	
Job Type	
Prepared By	
Notes	

Fixture Ordering Information

Model	Voltage		No. of Heads		Unit Watts		Lamp Watts		Color	
	LL-NYDXR	6 12	6V 12V	2 3	2 Heads 3 Heads	18 27 50	18W ¹ 27W ¹ 50W ²	9 12	9W ¹ 12W ²	Blank B

¹ Available in 6V units only.

² Available in 12V units only.